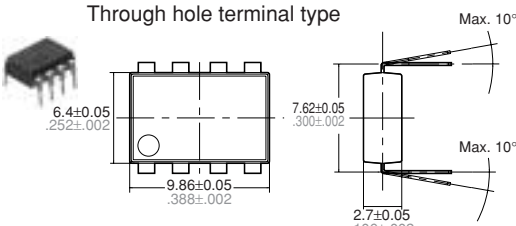
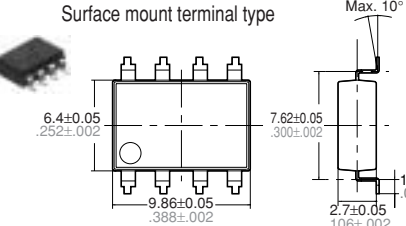
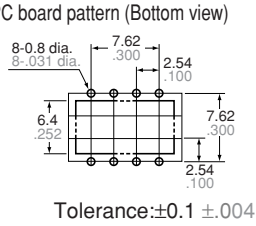
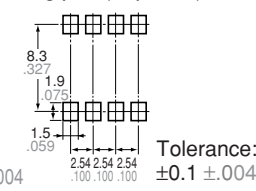
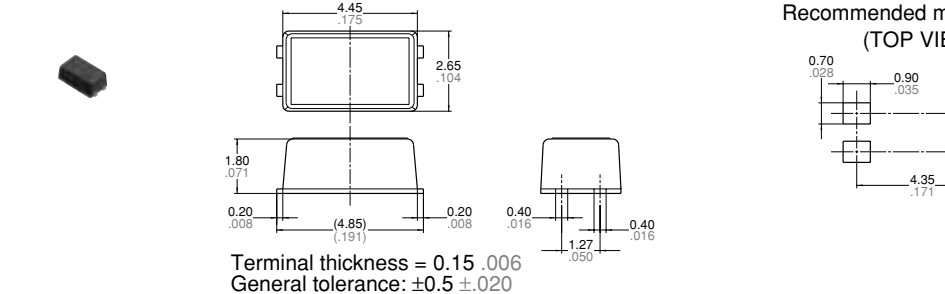
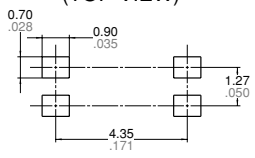
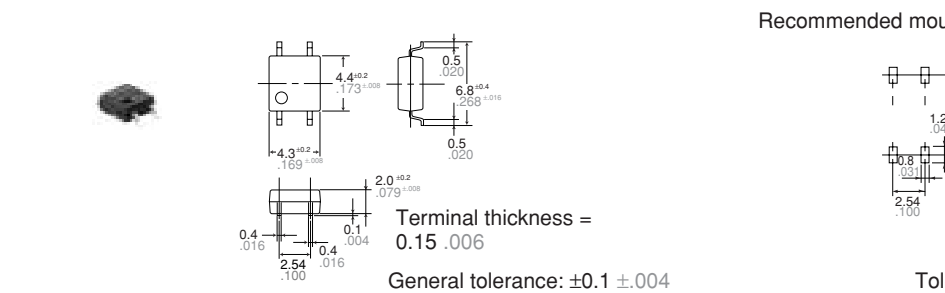
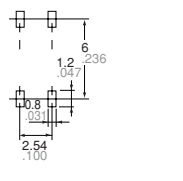
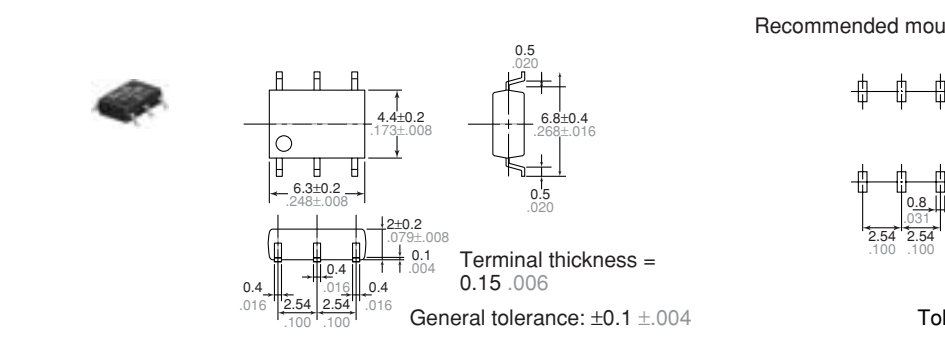
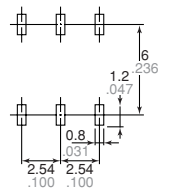
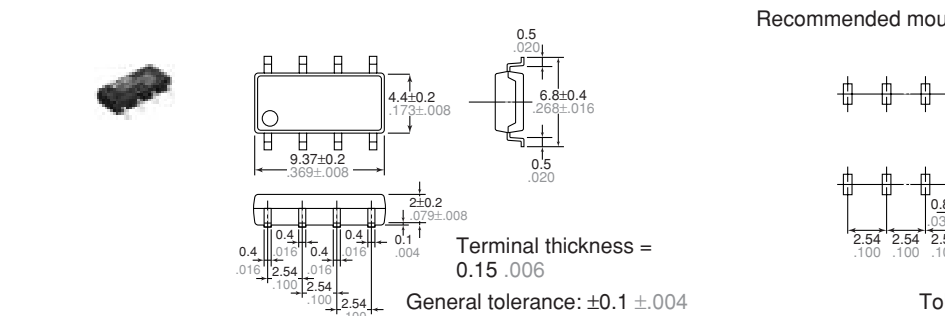
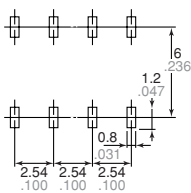
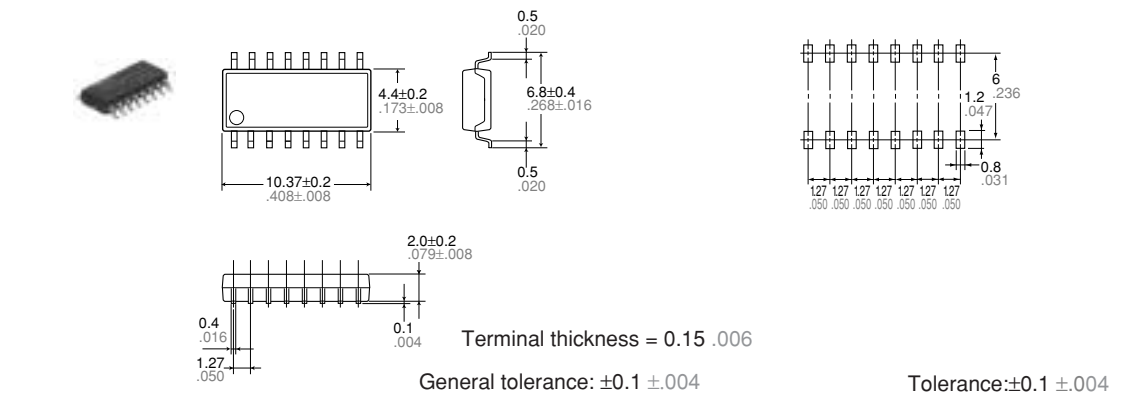
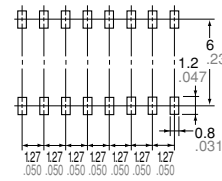
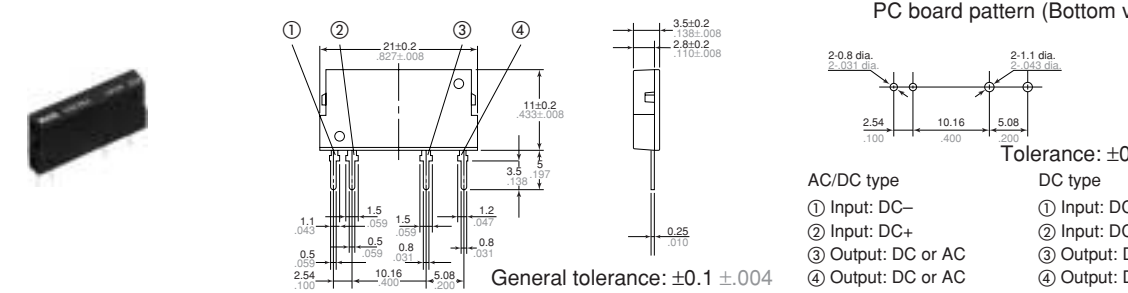
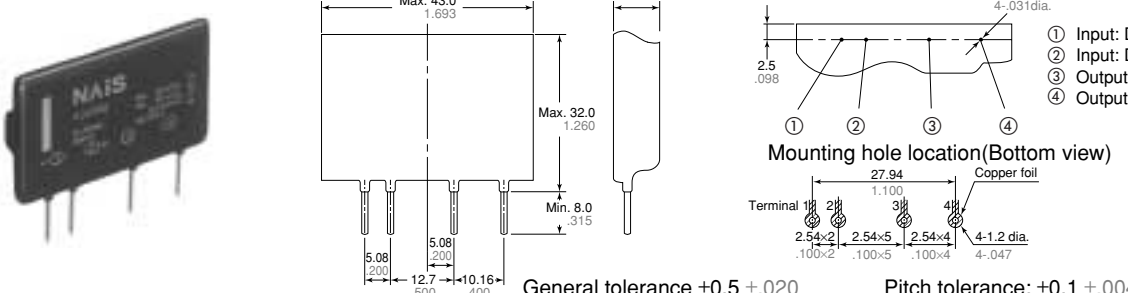
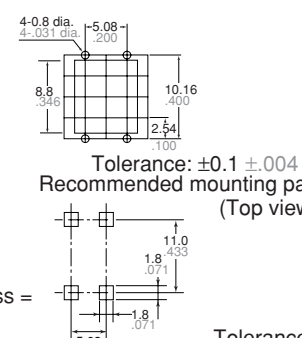
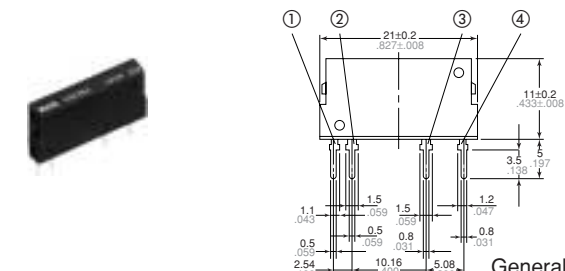
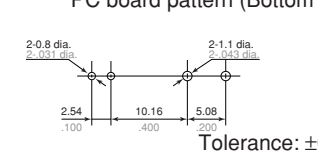
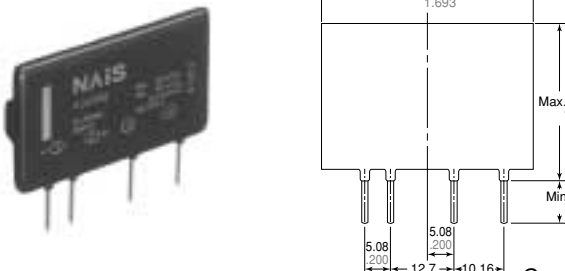
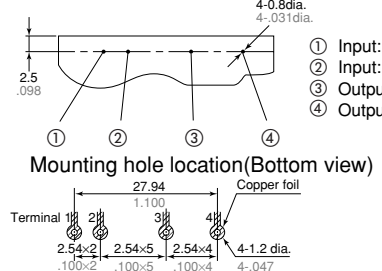


PhotoMOS Relay Dimensions

mm inch

Type	Dimensions		
AQY21 AQY41 Series	<p>Through hole terminal type</p>	<p>Surface mount terminal type</p>	<p>PC board pattern (Bottom view)</p>
	<p>Terminal thickness = 0.2 .008</p>	<p>Terminal thickness = 0.2 .008</p>	<p>Mounting pad (Top view)</p>
	<p>General tolerance: $\pm 0.1 \pm .004$</p>	<p>General tolerance: $\pm 0.1 \pm .004$</p>	<p>Tolerance: $\pm 0.1 \pm .004$</p>
AQV10 AQV20 AQV21 AQV22 AQV23 AQV25 AQV41 AQV45 Series	<p>Through hole terminal type</p>	<p>Surface mount terminal type</p>	<p>PC board pattern (Bottom view)</p>
	<p>Terminal thickness = 0.25 .010</p>	<p>Terminal thickness = 0.25 .010</p>	<p>Recommended mounting pad (Top view)</p>
	<p>General tolerance: $\pm 0.1 \pm .004$</p>	<p>General tolerance: $\pm 0.1 \pm .004$</p>	<p>Tolerance: $\pm 0.1 \pm .004$</p>
APV1122 Series	<p>Through hole terminal type</p>	<p>Surface mount terminal type</p>	<p>PC board pattern (Bottom view)</p>
	<p>Terminal thickness = 0.25 .010</p>	<p>Terminal thickness = 0.25 .010</p>	<p>Recommended mounting pad (Top view)</p>
	<p>General tolerance: $\pm 0.1 \pm .004$</p>	<p>General tolerance: $\pm 0.1 \pm .004$</p>	<p>Tolerance: $\pm 0.1 \pm .004$</p>
AQW21 AQW22 AQW25 AQW41 AQW45 AQW61 AQW65 Series	<p>Through hole terminal type</p>	<p>Surface mount terminal type</p>	<p>PC board pattern (Bottom view)</p>
	<p>Terminal thickness = 0.25 .010</p>	<p>Terminal thickness = 0.25 .010</p>	<p>Recommended mounting pad (Top view)</p>
	<p>General tolerance: $\pm 0.1 \pm .004$</p>	<p>General tolerance: $\pm 0.1 \pm .004$</p>	<p>Tolerance: $\pm 0.1 \pm .004$</p>

Type	Dimensions		
<p>AQW21$\overline{\text{OEH}}$ AQW21$\overline{\text{OHL}}$ AQW41$\overline{\text{OEH}}$ AQW61$\overline{\text{OEH}}$ Series</p>	<p>Through hole terminal type</p>  <p>Terminal thickness = 0.2 .008 General tolerance: $\pm 0.1 \pm .004$</p>	<p>Surface mount terminal type</p>  <p>Terminal thickness = 0.2 .008 General tolerance: $\pm 0.1 \pm .004$</p>	<p>PC board pattern (Bottom view)</p>  <p>Tolerance: $\pm 0.1 \pm .004$</p> <p>Mounting pad (Top view)</p>  <p>Tolerance: $\pm 0.1 \pm .004$</p>
<p>APV21 (SSOP) AQY22 (SSOP) Series</p>	 <p>Terminal thickness = 0.15 .006 General tolerance: $\pm 0.5 \pm .020$</p>		<p>Recommended mounting pad (TOP VIEW)</p>  <p>Tolerance: $\pm 0.1 \pm .004$</p>
<p>APV21(SOP) APV11(SOP) AQY21(SOP) AQY22(SOP) AQY41(SOP) Series</p>	 <p>Terminal thickness = 0.15 .006 General tolerance: $\pm 0.1 \pm .004$</p>		<p>Recommended mounting pad (Top view)</p>  <p>Tolerance: $\pm 0.1 \pm .004$</p>
<p>AQV21(SOP) AQV22(SOP) AQV41(SOP) Series</p>	 <p>Terminal thickness = 0.15 .006 General tolerance: $\pm 0.1 \pm .004$</p>		<p>Recommended mounting pad (Top view)</p>  <p>Tolerance: $\pm 0.1 \pm .004$</p>
<p>AQW21(SOP) AQW61(SOP) Series</p>	 <p>Terminal thickness = 0.15 .006 General tolerance: $\pm 0.1 \pm .004$</p>		<p>Recommended mounting pad (Top view)</p>  <p>Tolerance: $\pm 0.1 \pm .004$</p>

Type	Dimensions	
<p>AQS22(SOP) Series</p>	<div style="display: flex; justify-content: space-between;"> <div style="width: 45%;">  <p>4.4±0.2 .173±.008</p> <p>10.37±0.2 .408±.008</p> <p>0.5 .020</p> <p>6.8±0.4 .268±.016</p> <p>0.5 .020</p> <p>2.0±0.2 .079±.008</p> <p>0.4 .016</p> <p>1.27 .050</p> <p>0.1 .004</p> <p>Terminal thickness = 0.15 .006</p> <p>General tolerance: ±0.1 ±.004</p> </div> <div style="width: 50%;"> <p>Recommended mounting pad (Top view)</p>  <p>6 .236</p> <p>1.2 .047</p> <p>0.8 .031</p> <p>127 .050</p> <p>127 .050</p> <p>127 .050</p> <p>127 .050</p> <p>127 .050</p> <p>127 .050</p> <p>Tolerance: ±0.1 ±.004</p> </div> </div>	
<p>AQY27 Series</p>	<div style="display: flex; justify-content: space-between;"> <div style="width: 30%;"> <p>Through hole terminal type</p>  <p>8.8±0.2 .346±.008</p> <p>10.16±0.05 .400±.002</p> <p>9.3±0.2 .366±.008</p> <p>3.5±0.1 .138±.004</p> <p>3.9±0.2 .154±.008</p> <p>3.0 .118</p> <p>0.47±0.019 .019</p> <p>0.47±0.019 .019</p> <p>5.08±0.2 .200</p> <p>Terminal thickness = 0.25 .010</p> <p>General tolerance: ±0.1 ±.004</p> </div> <div style="width: 30%;"> <p>Surface mount terminal type</p>  <p>8.8±0.2 .346±.008</p> <p>10.16 .400</p> <p>9.3±0.2 .366±.008</p> <p>3.5±0.2 .138±.008</p> <p>1.0 .039</p> <p>5.08±0.2 .200</p> <p>0.2±0.02 .008±.001</p> <p>Terminal thickness = 0.25 .010</p> <p>General tolerance: ±0.1 ±.004</p> </div> <div style="width: 35%;"> <p>PC board pattern (Bottom view)</p>  <p>4-0.8 dia. 4-.031 dia.</p> <p>5.08±0.1 .200</p> <p>1.0 .039</p> <p>8.8±0.2 .346±.008</p> <p>10.16±0.05 .400±.002</p> <p>2.54±0.1 .100</p> <p>11.0 .433</p> <p>1.8 .071</p> <p>5.08±0.2 .200</p> <p>Recommended mounting pad (Top view)</p> <p>Tolerance: ±0.1 ±.004</p> <p>Tolerance: ±0.1 ±.004</p> </div> </div>	
<p>AQZ10 AQZ20 AQZ40 Series</p>	<div style="display: flex; justify-content: space-between;"> <div style="width: 45%;">  <p>21±0.2 .827±.008</p> <p>11±0.2 .433±.008</p> <p>3.5±0.2 .138±.008</p> <p>2.8±0.2 .110±.008</p> <p>0.25 .010</p> <p>1.1±0.045 .045</p> <p>1.5±0.059 .059</p> <p>1.5±0.059 .059</p> <p>1.2±0.047 .047</p> <p>0.5±0.019 .019</p> <p>0.8±0.031 .031</p> <p>0.8±0.031 .031</p> <p>2.54±0.1 .100</p> <p>10.16±0.4 .400</p> <p>5.08±0.2 .200</p> <p>General tolerance: ±0.1 ±.004</p> </div> <div style="width: 50%;"> <p>PC board pattern (Bottom view)</p>  <p>2-0.8 dia. 2-.031 dia.</p> <p>2-1.1 dia. 2-.043 dia.</p> <p>2.54±0.1 .100</p> <p>10.16±0.4 .400</p> <p>5.08±0.2 .200</p> <p>AC/DC type</p> <p>① Input: DC-</p> <p>② Input: DC+</p> <p>③ Output: DC or AC</p> <p>④ Output: DC or AC</p> <p>DC type</p> <p>① Input: DC-</p> <p>② Input: DC+</p> <p>③ Output: DC-</p> <p>④ Output: DC+</p> <p>Tolerance: ±0.1 ±.004</p> </div> </div>	
<p>AQZ26 Series</p>	<div style="display: flex; justify-content: space-between;"> <div style="width: 45%;">  <p>Max. 43.0 1.693</p> <p>Max. 9.0 .354</p> <p>Max. 32.0 1.260</p> <p>Min. 8.0 .315</p> <p>5.08±0.2 .200</p> <p>12.7±0.5 .500</p> <p>10.16±0.4 .400</p> <p>General tolerance ±0.5 ±.020</p> </div> <div style="width: 50%;"> <p>Mounting hole location (Bottom view)</p>  <p>4-0.8 dia. 4-.031 dia.</p> <p>2.5 .098</p> <p>① Input: DC -</p> <p>② Input: DC +</p> <p>③ Output: AC or DC</p> <p>④ Output: AC or DC</p> <p>27.94 1.100</p> <p>1.100</p> <p>2.54±0.2 .100×2</p> <p>2.54±0.5 .100×5</p> <p>2.54±0.4 .100×4</p> <p>4-1.2 dia. 4-.047</p> <p>Copper foil</p> <p>Terminal</p> <p>Pitch tolerance: ±0.1 ±.004</p> </div> </div>	