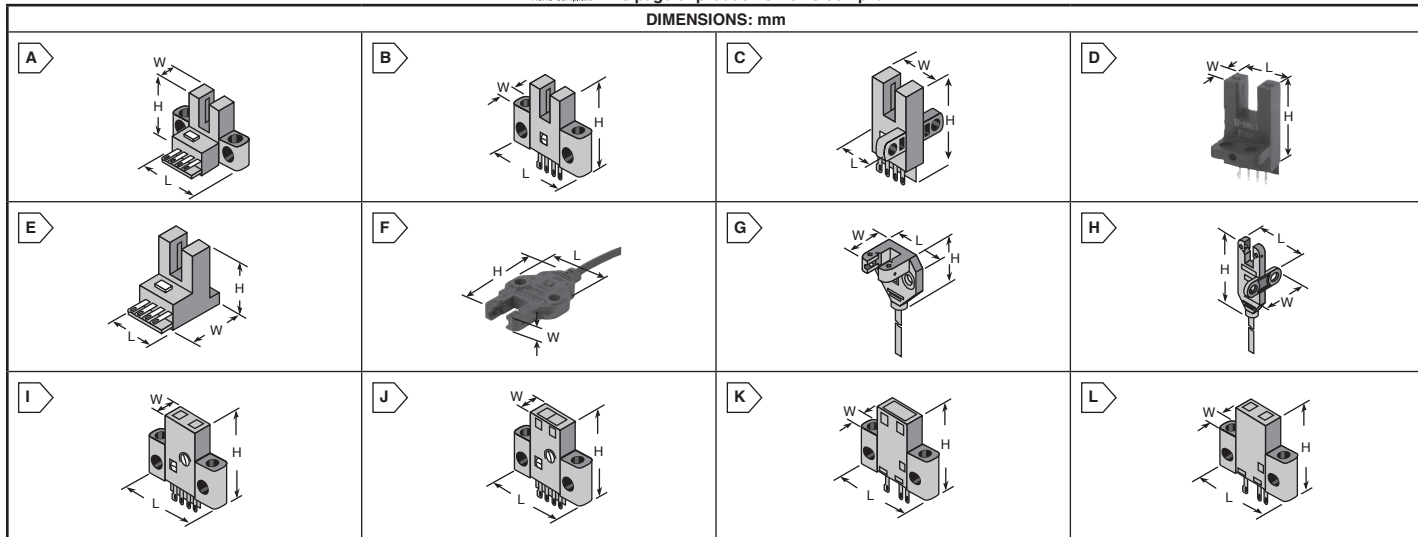


OMRON Photomicrosensors



RoHS Compliant This page of product is RoHS compliant.

DIMENSIONS: mm



TRANSMISSIVE, THROUGH-BEAM, SLOT-TYPE, AMPLIFIED, NON-MODULATED PHOTOMICROSENSORS

Specifications:

- Sensing distance/slot width: 5.0mm
- Aperture: 0.80mm

Features:

- Wide operating voltage range: 5-24VDC

* Indicator light turns ON when light is interrupted. ** Slot center 7mm



For quantities greater than listed, call for quote.

MOUSER STOCK NO.	Omron Part No.	Fig.	Dimensions (mm)			Output Configuration	Output	Connecting Method	Price Each	
			L	W	H				1	25
With Incident Light - Includes Flex Robot Cable										
653-EE-SX471	EE-SX471	A	26.2	6.35	15.5	Light-ON	NPN	4 pole connector	28.42	21.72
653-EE-SX670	EE-SX670	B	25.4	6.95	22.2	Dark-ON/Light-ON (Selectable)	NPN	4 pole connector	25.76	21.19
* 653-EE-SX670P	EE-SX670P	B	25.4	6.95	22.2	Dark-ON/Light-ON (Selectable)	PNP	4 pole connector	23.31	19.17
653-EE-SX671	EE-SX671	A	26.2	6.35	15.5	Dark-ON/Light-ON (Selectable)	PNP	4 pole connector	24.55	20.84
653-EE-SX672	EE-SX672	C	13.0	13.40	22.2	Dark-ON/Light-ON (Selectable)	NPN	4 pole connector	24.55	18.73
** 653-EE-SX672-WR1M	EE-SX672-WR 1M	D	13.0	13.40	22.2	Dark-ON/Light-ON (Selectable)	NPN	Pre-wired 1m	36.92	32.98
653-EE-SX673	EE-SX673	D	13.4	12.80	22.2	Dark-ON/Light-ON (Selectable)	NPN	4 pole connector	25.76	23.79
653-EE-SX674	EE-SX674	E	13.6	21.50	15.5	Dark-ON/Light-ON (Selectable)	NPN	4 pole connector	25.76	21.19
With Incident Light - Visible Indicator From Both Sides										
653-EE-SX770	EE-SX770	F	18.0	4.00	22.1	Dark-ON	NPN	Pre-wired 2m	34.71	28.55
653-EE-SX771	EE-SX771	G	18.0	13.00	21.0	Dark-ON	NPN	Pre-wired 2m	35.91	29.53
653-EE-SX772	EE-SX772	H	12.3	19.10	31.1	Dark-ON	NPN	Pre-wired 2m	35.91	33.16
653-EE-SX870	EE-SX870	F	18.0	4.00	22.1	Light-ON	NPN	Pre-wired 2m	35.91	33.16
653-EE-SX871	EE-SX871	G	18.0	13.00	21.0	Light-ON	NPN	Pre-wired 2m	35.91	33.16
No Incident Light - Includes Flex Robot Cable										
* 653-EE-SX670A	EE-SX670A	B	25.4	6.95	22.2	Dark-ON/Light-ON (Selectable)	NPN	4 pole connector	23.31	19.79
* 653-EE-SX671A	EE-SX671A	A	26.2	6.35	15.5	Dark-ON/Light-ON (Selectable)	NPN	4 pole connector	24.55	20.84
* 653-EE-SX672A	EE-SX672A	C	13.0	13.40	22.2	Dark-ON/Light-ON (Selectable)	NPN	4 pole connector	24.55	20.84
* 653-EE-SX673A	EE-SX673A	D	13.4	12.80	22.2	Dark-ON/Light-ON (Selectable)	NPN	4 pole connector	32.31	28.49

Omron Photomicrosensors

REFLECTIVE, AMPLIFIED, NON-MODULATED PHOTOMICROSENSORS

Specifications:

- Indicator mode: Incident light

Features:

- Easy adjustment with a built-in sensitivity adjuster
- Easy optical axis monitoring with a bright light indicator
- Compact design incorporating a built-in amplifier and special IC enables direct switching capacity of up to 100mA.



For quantities greater than listed, call for quote.

MOUSER STOCK NO.	Omron Part No.	Fig.	Dimensions (mm)			Output Configuration	Output	Termination	Price Each	
			L	W	H				1	25
With Side Sensitivity Adjuster, Infrared Light										
653-EE-SY671	EE-SY671	I	25.4	6.95	31.4	Dark-ON/Light-ON (Selectable)	NPN	Solder	28.22	26.06
With Top Sensitivity Adjuster										
653-EE-SY672	EE-SY672	J	25.4	6.95	31.4	Dark-ON/Light-ON (Selectable)	NPN	Solder	28.22	23.20

REFLECTIVE, AMPLIFIED, LIGHT-MODULATED PHOTOMICROSENSORS

Specifications:

- Indicator mode: Incident light
- Output type: NPN
- Termination: Connector

Features:

- Light modulation effectively reduces external light interference.



For quantities greater than listed, call for quote.

MOUSER STOCK NO.	Omron Part No.	Fig.	Dimensions (mm)			Sensing Method	Output Configuration	Detect	Price Each	
			L	W	H				1	25
Slim										
653-EE-SPY402	EE-SPY402	K	26.0	7.00	20.0	Diffuse	Light-ON	Top	46.68	38.38
For Shiny Background										
653-EE-SPY311	EE-SPY311	L	26.0	7.60	22.8	Light Convergent	Dark-ON	Side	46.68	43.11
653-EE-SPY411	EE-SPY411	L	26.0	8.00	22.8	Light Convergent	Light-ON	Side	46.68	43.11
653-EE-SPY412	EE-SPY412	K	26.0	8.00	22.8	Light Convergent	Light-ON	Top	46.68	43.11