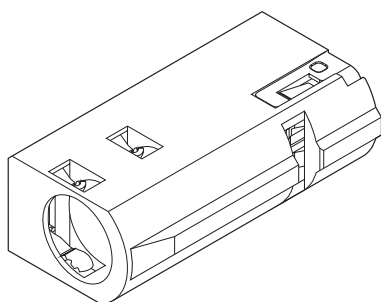


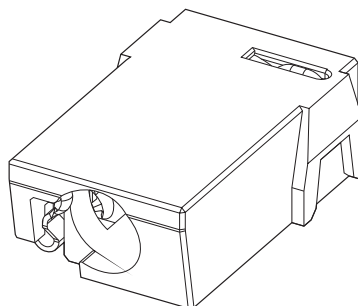
EP CONNECTOR SERIES



Interface type



3.5EP Type R



3.5EP SLANT3 Type

3.5EP Type R

- **3.5mm in diameter. Connector for 4-circuit plug (EIAJ RC-5325A-compliant plug)**
- **Normal close, Independent switch**
The plug with different GND position is also available by adopting the plug and the block electricity switch function.
- **Round shape**
This connector shape is available for round shape of adoption chassis.
- **Adopting two contact points terminal**
2 contact points terminal for the GND/MIC terminal is adopted to reduce the electrical resistance.

3.5EP SLANT3 Type

- **3.5mm in diameter. Connector for 4-circuit plug (EIAJ RC-5325A-compliant plug)**
- **Normal close, Independent switch**
The plug with different GND position is also available by adopting the plug and the block electricity switch function.
- **Insertion and withdrawal forces of plug**
Lock pin is adopted to improve insertion force feeling and to strengthen withdrawal force of plug.
- **Biotechnology resin**
Resin produced by partially using the plant-based raw material for the housing material is adopted.

Specifications

3.5EP Type R

- Current rating: 2A AC, DC
- Voltage rating: 30V AC, DC
- Temperature range: -30°C to +85°C
(including temperature rise in applying electrical current)
- Contact resistance: Ground contact/20m Ω max.
Other contacts/50m Ω max.
- Insulation resistance: 1,000M Ω min.
- Withstanding voltage: 400V AC/minute

3.5EP SLANT3 Type

- Current rating: 2A AC, DC
- Voltage rating: 30V AC, DC
- Temperature range: -30°C to +85°C
(including temperature rise in applying electrical current)
- Contact resistance: Ground contact/20m Ω max.
Other contacts/60m Ω max.
- Insulation resistance: 1,000M Ω min.
- Withstanding voltage: 400V AC/minute

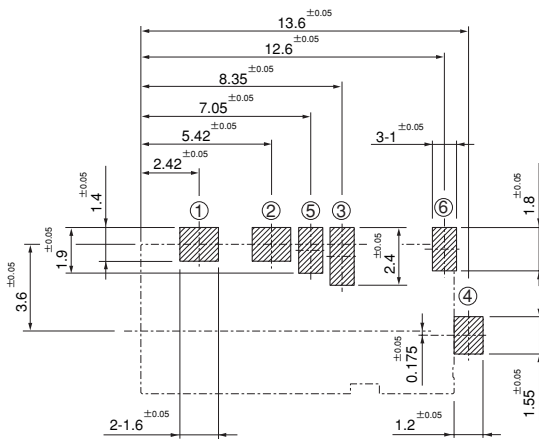
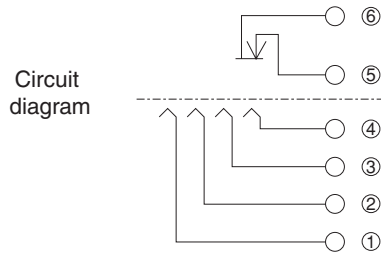
* Compliant with RoHS.

* Refer to "General Instruction and Notice when using Terminals and Connectors" at the end of this catalog.

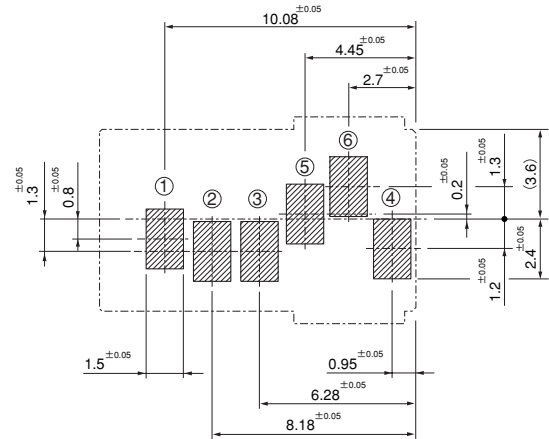
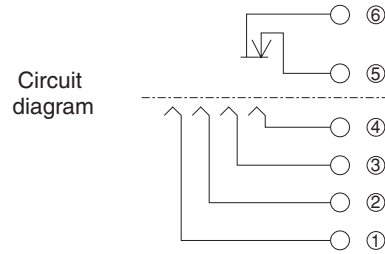
* Contact JST for details.

EP CONNECTOR SERIES

3.5EP Type R



3.5EP SLANT3 Type

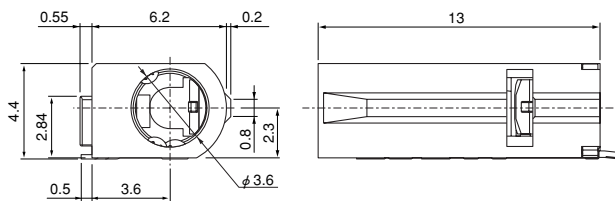


Note: 1. Viewed from component side. (above figures)

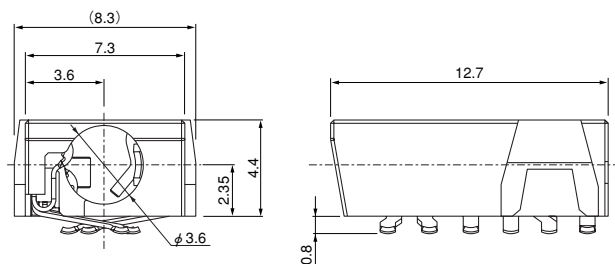
2. Tolerances are non-cumulative: $\pm 0.05\text{mm}$ for all centers. The dimensions above should serve as a guideline. Contact JST for details.

Connector

3.5EP Type R



3.5EP SLANT3 Type



Type	Circuits	Model No.	Q'ty / reel
Type R	6	3.5EP-R NMP(HF)	1,500
SLANT3 Type		3.5EP-SL3-C NMP(HF)	1,000

Material and Finish

Contact: Copper alloy, nickel-undercoated, gold-plated
Housing: Thermoplastic resin, UL94-HB, black
Lock pin: Stainless

RoHS compliance