

PNP SILICON SWITCHING TRANSISTOR

Qualified per MIL-PRF-19500/357

DEVICES

2N3634	2N3635	2N3636	2N3637
2N3634L	2N3635L	2N3636L	2N3637L
2N3634UB	2N3635UB	2N3636UB	2N3637UB

LEVELS

JAN
JANTX
JANTXV
JANS

ABSOLUTE MAXIMUM RATINGS ($T_C = +25^\circ\text{C}$ unless otherwise noted)

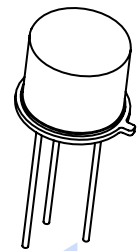
Parameters / Test Conditions	Symbol	2N3634*	2N3636*	Unit
		2N3635*	2N3637*	
Collector-Emitter Voltage	V_{CEO}	140	175	Vdc
Collector-Base Voltage	V_{CBO}	140	175	Vdc
Emitter-Base Voltage	V_{EBO}	5.0	5.0	Vdc
Collector Current	I_C	1.0	1.0	Adc
Total Power Dissipation	@ $T_A = +25^\circ\text{C}$		1.0	W
	@ $T_C = +25^\circ\text{C}$	P_T **	5.0	W
	UB: @ $T_C = +25^\circ\text{C}$		1.5	W
Operating & Storage Junction Temperature Range	T_J, T_{stg}	-65 to +200		$^\circ\text{C}$

* Electrical characteristics for "L" suffix devices are identical to the "non L" corresponding devices.

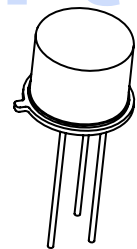
** Consult 19500/357 for De-Rating curves.

ELECTRICAL CHARACTERISTICS ($T_A = +25^\circ\text{C}$, unless otherwise noted)

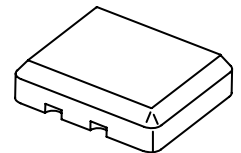
Parameters / Test Conditions	Symbol	Min.	Max.	Unit
OFF CHARACTERISTICS				
Collector-Emitter Breakdown Voltage $I_C = 10\text{mA}$	$V_{(BR)CEO}$	140		Vdc
2N3634, 2N3635 2N3636, 2N3637		175		
Collector-Base Cutoff Current $V_{CB} = 100\text{Vdc}$	I_{CBO}		100	ηAdc
$V_{CB} = 140\text{Vdc}$		2N3634, 2N3635	10	μAdc
$V_{CB} = 175\text{Vdc}$		2N3636, 2N3637	10	μAdc
Emitter-Base Cutoff Current $V_{EB} = 3.0\text{Vdc}$	I_{EBO}		50	ηAdc
$V_{EB} = 5.0\text{Vdc}$		10	μAdc	
Collector-Emitter cutoff Current $V_{CE} = 100\text{Vdc}$	I_{CEO}		10	μAdc



TO-5*
 2N3634L, 2N3635L
 2N3636L, 2N3637L



TO-39* (TO-205AD)
 2N3634, 2N3635
 2N3636, 2N3637



3 PIN
 2N3634UB, 2N3635UB
 2N3636UB, 2N3637UB



6 Lake Street, Lawrence, MA 01841
1-800-446-1158 / (978) 620-2600 / Fax: (978) 689-0803
Website: <http://www.microsemi.com>

TECHNICAL DATA SHEET

Gort Road Business Park, Ennis, Co. Clare, Ireland
Tel: +353 (0) 65 6840044 Fax: +353 (0) 65 6822298

SAFE OPERATING AREA

DC Tests

$T_C = 25^\circ\text{C}$, 1 Cycle, $t = 1.0\text{s}$

Test 1

$V_{CE} = 100\text{Vdc}$, $I_C = 30\text{mA}$

2N3634, 2N3635

$V_{CE} = 130\text{Vdc}$, $I_C = 20\text{mA}$

2N3636, 2N3637

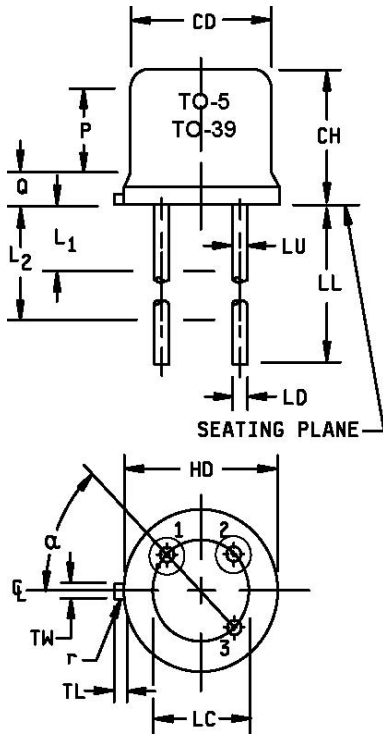
Test 2

$V_{CE} = 50\text{Vdc}$, $I_C = 95\text{mA}$

Test 3

$V_{CE} = 5.0\text{Vdc}$, $I_C = 1.0\text{A}$

PACKAGE DIMENSIONS



Ltr	Dimensions				Notes
	Inches		Millimeters		
	Min	Max	Min	Max	
CD	.305	.335	7.75	8.51	
CH	.240	.260	6.10	6.60	
HD	.335	.370	8.51	9.40	
LC	.200 TYP		5.08 TYP		7
LD	.016	.021	0.41	0.53	6
LL	See notes 7, 9, and 10				
LU	.016	.019	0.41	0.48	7
L ₁		.050		1.27	7
L ₂	.250		6.35		7
P	.100		2.54		5
Q		.050		1.27	
r		.010		0.254	8
TL	.029	.045	0.74	1.14	4
TW	.028	.034	0.71	0.86	3
α	45° TP		45° TP		6
Term 1	Emitter				
Term 2	Base				
Term 3	Collector				

NOTES:

- Dimensions are in inches.
- Millimeters are given for general information only.
- Beyond r maximum, TW must be held to a minimum length of .021 inch (0.53 mm).
- TL measured from maximum HD.
- CD shall not vary more than ±.010 inch (0.25 mm) in zone P. This zone is controlled for automatic handling.
- Leads at gauge plane .054 - .055 inch (1.37 - 1.40 mm) below seating plane shall be within .007 inch (0.18 mm) radius of true position (TP) at a maximum material condition (MMC) relative to the tab at MMC. The device may be measured by direct methods or by gauge and gauging procedure.
- LU applies between L₁ and L₂. LD applies between L₂ and L minimum. Diameter is uncontrolled in L₁ and beyond LL minimum.
- r (radius) applies to both inside corners of tab.
- For transistor types 2N3634 through 2N3637, LL is .500 inch (12.70 mm) minimum, and .750 inch (19.05 mm) maximum (TO-39).
- For transistor types 2N3634L through 2N3637L, LL is 1.500 inches (38.10 mm) minimum, and 1.750 inches (44.45 mm) maximum (TO-5).
- In accordance with ASME Y14.5M, diameters are equivalent to φx symbology.

FIGURE 1: Physical dimensions (TO-5 and TO-39)



NOTES:

1. Dimensions are in inches.
2. Millimeters are given for general information only.
3. Hatched areas on package denote metallized areas.
4. Pad 1 = Base, Pad 2 = Emitter, Pad 3 = Collector, Pad 4 = Shielding connected to the lid.
5. In accordance with ASME Y14.5M, diameters are equivalent to ϕx symbology

Ltr	Dimensions				Notes
	Inches		Millimeters		
	Min	Max	Min	Max	
BH	.046	.056	1.17	1.42	
BL	.115	.128	2.92	3.25	
BW	.085	.108	2.16	2.74	
CL		.128		3.25	
CW		.108		2.74	
LL ₁	.022	.038	0.56	0.96	
LL ₂	.017	.035	0.43	0.89	
LS ₁	.036	.040	0.91	1.02	
LS ₂	.071	.079	1.81	2.01	
LW	.016	.024	0.41	0.61	
r		.008		.203	
r ₁		.012		.305	
r ₂		.022		.559	

FIGURE 2: Physical dimensions, surface mount 2N3634UB through 2N3637UB (UB version).