


286/287 Series - Square Base Time Delay Relay

SPDT - 3PDT, 10 Amp

 The 286 on delay and 287 off delay are square base, bladed versions of time delay relays. Both AC and DC versions are available. On delays can have up to three poles. The timing circuit is a fully encapsulated E13324 precision RC (resistor – capacitor) network typically used in applications where oscillators are not desired. Fixed time and externally adjustable versions are available. The package on this series is typically socket mounted. It can also be panel mounted allowing direct connections to terminals with quick-connects or soldering.

GENERAL SPECIFICATIONS (@ 25° C)

Timing:

| | |
|--|---------------------|
| Functions Available | On-delay, Off-delay |
| Time Range | Up to 300 seconds |
| Timing Adjustment | Knob |
| Timing Repeatability (Constant voltage and temperature) | 3% |
| Reset Time maximum | 150mS |
| Input Pulse Length minimum | 50mS |

Contacts:

| | |
|-----------------------------|------------------------------|
| Contact Configuration | SPDT, DPDT, 3PDT |
| Contact Material | Silver Alloy |
| Contact Rating | |
| 120 / 240VAC Resistive | 10 Amp / 10 Amp |
| 28VDC Resistive | 10 Amp |
| Motor 120VAC | 1/3Hp |
| Motor 240VAC | 1/2Hp |
| Minimum Contact Load | 500mW |
| Contact Resistance, Initial | 100 milliohms max @ 6VDC, 1A |

Coil:

| | |
|-----------------------------|------------------------|
| Coils Available | AC and DC |
| Nominal Coil Power | 2.75VA 2W |
| Input Voltage Tolerance -AC | 85% to 110% of nominal |
| Input Voltage Tolerance -DC | 80% to 110% of nominal |
| Transient Protection | Yes |
| Reverse Polarity Protection | Yes |
| Duty | Continuous |

Dielectric Strength:

| | |
|-----------------------------------|--------------------------|
| Across Open Contacts | 500Vrms |
| Between Mutually Insulated Points | 1500Vrms |
| Insulation Resistance | 1,000 Mohms min @ 500VDC |

Temperature:

| | |
|-----------|----------------------------|
| Operating | -20 to 70°C (-4 to 158°F) |
| Storage | -40 to 85°C (-40 to 185°F) |

Life Expectancy:

| | |
|-----------------------------------|------------|
| Electrical (full load operations) | 100,000 |
| Mechanical (no load operations) | 10,000,000 |

Miscellaneous:

| | |
|-------------------|---------------------|
| Mounting Position | Any |
| Mating Socket | SK-SQB11-DS |
| Enclosure | Clear Polycarbonate |
| Weight | 5.0oz (142 grams) |



Timer / Sensor - Time Delay & Sensor Relays

5 - 25 Amp

Ordering Code 286 XAX C 001 F 120VAC

series

286 - On delay
287 - Off delay

Contact Arrangement

XAX (SPDT) - (1 form C)
XBX (DPDT) - (2 form C)
XCX (3PDT) - (3 form C)

Mounting Options

C - Plug-in
C1 - Bracket
CS1 - Top stud
C2 - Side tapped hole
CS2 - Side stud

Timing Ranges

0.1 - 1.0 Seconds - CODE 001
0.2 - 2.0 Seconds - CODE 002
1.0 - 10 Seconds - CODE 010
3.0 - 30 Seconds - CODE 033
6.0 - 60 Seconds - CODE 060
18 - 180 Seconds - CODE 180
30 - 300 Seconds - CODE 300

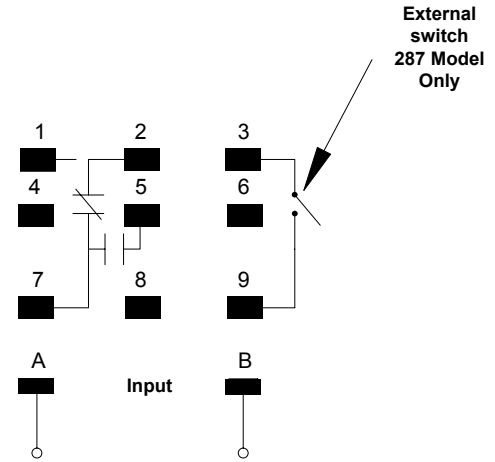
Adjustment Options

Adjustment knob - No CODE
Fixed - Specify fixed time - CODE F
Remote adjustment - CODE R

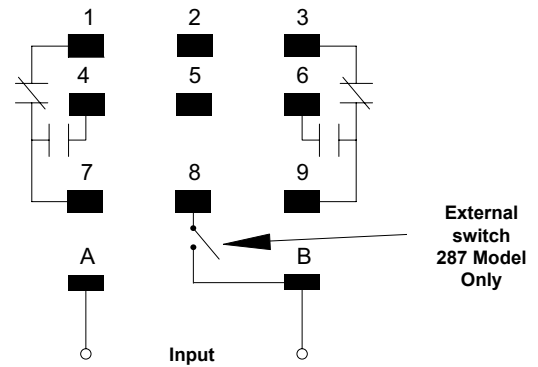
Operating Voltage

AC: 24, 48, 120, 240, (Add VAC)
DC: 12, 24, 48, 115-125 (Add VDC)

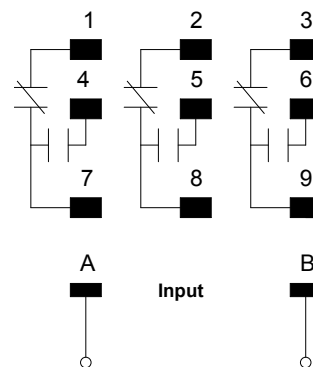
286/287 Wire Diagram



286XAX



**286XBX
287XBX**



**On delay
286XCX**

Section 7

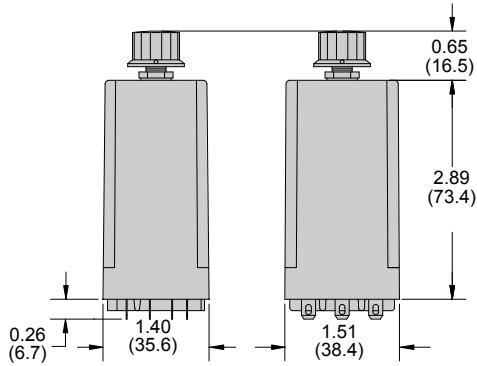
286/287 Series - Square Base Time Delay Relay

SPDT - 3PDT, 10 Amp

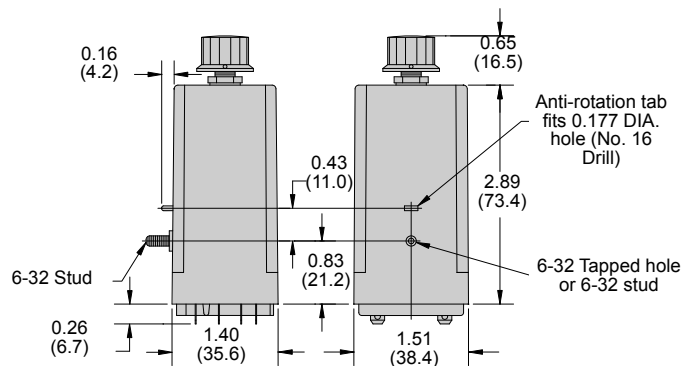
Outline Dimensions

Dimensions Shown in inches & (millimeters)

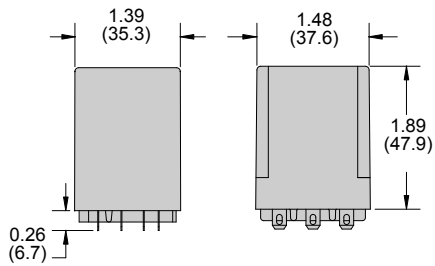
Plug-in, Adjustable Timing



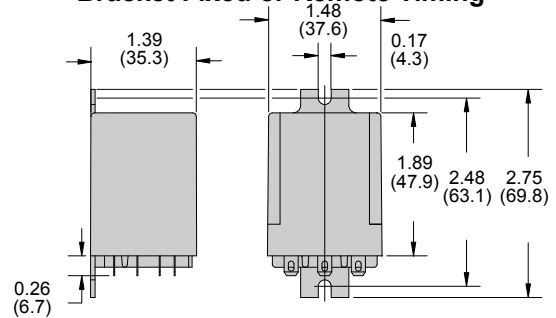
Side Stud or Tapped Hole, Adjustable Timing



Plug-in Fixed or Remote Timing



Bracket Fixed or Remote Timing



286 Series



Timer / Sensor - Time Delay & Sensor Relays

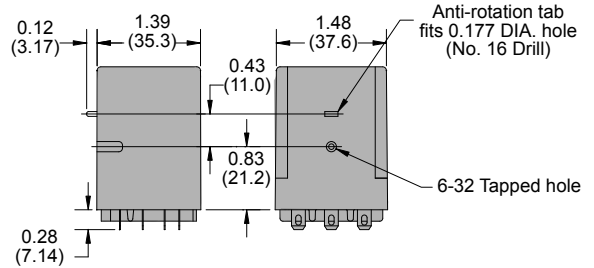
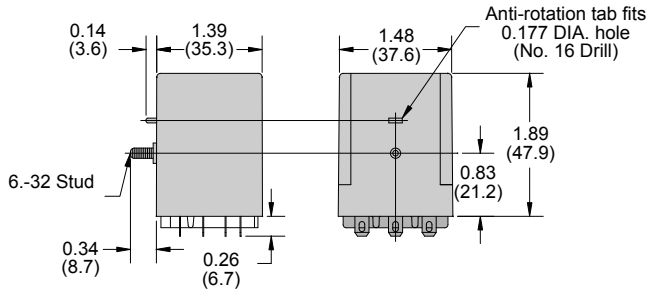
5 - 25 Amp

Outline Dimensions

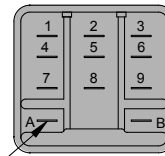
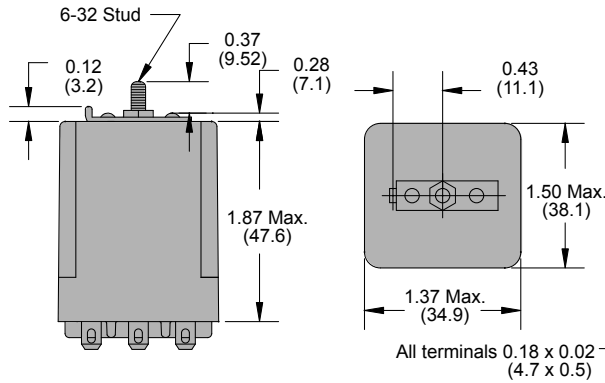
Dimensions Shown in inches & (millimeters)

Side Stud, Fixed or remote Timing

Side Tapped Hole, Fixed or Remote Timing



Top Stud Fixed or Remote Timing



Note:
Bracket & top stud not available with adjustable timing

287 Series

