

- 38999
- III
- HD
- Dualok
- II
- I
- SJT
- Accessories
- Aquacon
- Herm/Seal
- PCB

- HIGH SPEED
- Fiber Optics
- Contacts
- Connectors
- Cables

- EMI Filter
- Transient

- 26482
- Matrix 2

- 83723 III
- Matrix | Pyle

- 26500
- Pyle

- 5015
- Crimp Rear
- Release
- Matrix

- 22992
- Class I

- Back-
- Shells

- Options
- Others

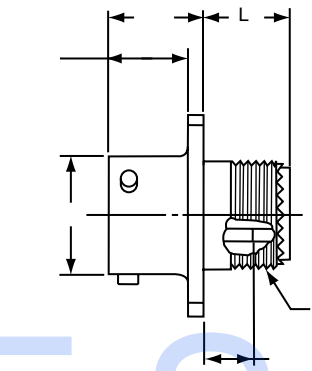
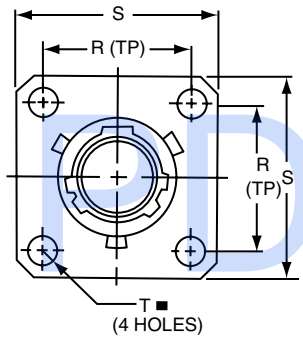
PART # Part number reference. To complete, see how to order pages 62-66.

Commercial

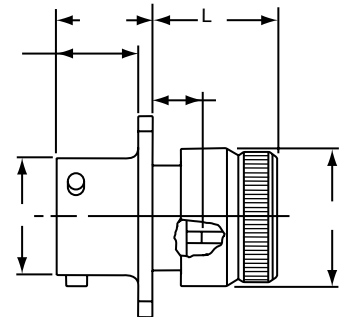
Connector Type	Shell Style	Service Class	Shell Size & Insert Arrg	Contact Type	Alternate Position	Special Variations
JT/JTS/JTN	00	RT	22-2	P	A	(XXX)

Military

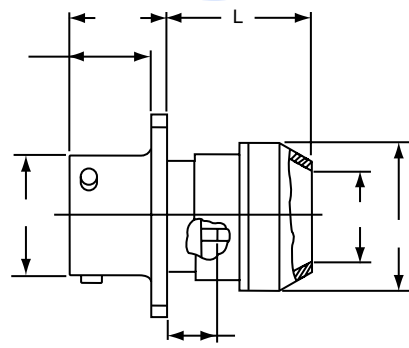
MS Number	Service Class	Shell Size	Finish	Insert Arrg	Contact Style (P or S)	Alternate Position
MS27472	E	14	A	18	P	A
MS27479	E	14	A	18	P	A



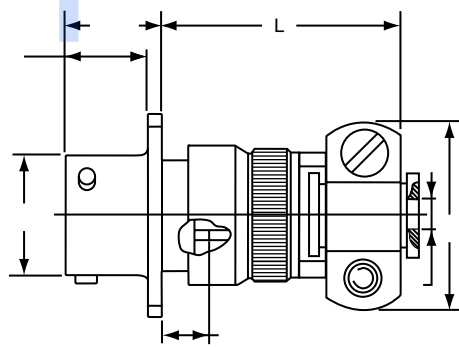
* JT00RT-XX-XXX (MS27472T)
 ** JTS00RT-XX-XXX (MS27479T)
 *** JTN00RT-XX-XXX



* JT00RE-XX-XXX (MS27472E)
 ** JTS00RE-XX-XXX (MS27479E)
 *** JTN00RE-XX-XXX



* JT00RP-XX-XXX (MS27472P)
 ** JTS00RP-XX-XXX
 *** JTN00RP-XX-XXX



* JT00RE-XX-XXX (SR)
 ** JTS00RE-XX-XXX (SR)
 *** JTN00RE-XX-XXX (SR)

- ⊕ .005 DIA Ⓜ
- * Standard Junior Tri-Lock
- ** High temperature version
- *** Clear iridite finish (gold color), N₂O₄ resistant

Shell Size	F Dia. +.010 - .025	F ¹ Dia. ±.010	L Max.	L ¹ Max.	L ² Max.	L ³ Max.	N +.001 - .005	R (TP)	S ±.016	T ±.005	V Thread UNEF Class 2A (Plated)	KK Max.	KK ¹ Dia. Max.	KK ² Dia. Max.
8	.125	.444	1.094	.609	.547	.500	.473	.594	.812	.120	.4375-28	.812	.625	.578
10	.188	.558	1.094	.609	.547	.500	.590	.719	.938	.120	.5625-24	.875	.750	.703
12	.312	.683	1.094	.609	.547	.500	.750	.812	1.031	.120	.6875-24	1.000	.875	.828
14	.375	.808	1.344	.609	.547	.500	.875	.906	1.125	.120	.8125-20	1.125	1.000	.953
16	.500	.909	1.344	.609	.547	.500	1.000	.969	1.219	.120	.9375-20	1.188	1.125	1.078
18	.625	1.034	1.344	.609	.547	.500	1.125	1.062	1.312	.120	1.0625-18	1.438	1.250	1.203
20	.625	1.159	1.344	.609	.547	.500	1.250	1.156	1.438	.120	1.1875-18	1.438	1.375	1.328
22	.750	1.284	1.469	.609	.547	.500	1.375	1.250	1.562	.120	1.3125-18	1.625	1.500	1.453
24	.800	1.409	1.469	.688	.547	.500	1.500	1.375	1.688	.147	1.4375-18	1.719	1.625	1.578

All dimensions for reference only.

Mouser Electronics

Authorized Distributor

Click to View Pricing, Inventory, Delivery & Lifecycle Information:

Amphenol:

[MS27472E22A2P](#) [MS27472T14B37P](#) [MS27472E20A16P](#) [MS27472E16B8P](#) [MS27472T12B3P](#) [MS27497T10A35P](#)
[MS27472T16C8SA](#) [MS27472T8B44P](#) [MS27472T12B3S](#) [MS27472E12B35S](#) [MS27479E10C99P](#) [MS27472E12A35P](#)
[MS27472T16B55P](#) [MS27472T16B8P](#) [MS27472T8F98P](#) [MS27472T24B24P](#) [MS27472E16B35P](#) [MS27472E24B35S](#)
[MS27472T10F5S](#) [MS27472E20A16S](#) [MS27472T24B35S-LC](#) [MS27472E14B18S](#) [MS27472E18F32S](#)
[MS27472E14B15P](#) [MS27472T16B8S](#) [MS27472E24B4S](#) [MS27472E16B99P](#) [MS27472E14B5PD](#) [MS27472T8F35S](#)
[MS27472E10A35P](#) [MS27472E10B35P](#) [MS27472E10B35S](#) [MS27472E10F35P](#) [MS27472E10F35S](#)
[MS27472E12B22S](#) [MS27472E12B35P](#) [MS27472E12B98P](#) [MS27472E12F35P](#) [MS27472E12F35S](#) [MS27472E12F3P](#)
[MS27472E14B35S](#) [MS27472E14F35P](#) [MS27472E14F5P](#) [MS27472E16B6P](#) [MS27472E16B6S](#) [MS27472E16B99S](#)
[MS27472E8B98P](#) [MS27472E8F35P](#) [MS27472E8F35S](#) [MS27472E8F6P](#) [MS27472P10A99S](#) [MS27472P12B35P](#)
[MS27472T10B35P](#) [MS27472T10B35S](#) [MS27472T10B5P](#) [MS27472T10F35P](#) [MS27472T10F35PA](#)
[MS27472T10F35PB](#) [MS27472T10F35PC](#) [MS27472T10F35P-LC](#) [MS27472T10F35S](#) [MS27472T10F5P](#)
[MS27472T12A35P](#) [MS27472T12B35P](#) [MS27472T12B35P-LC](#) [MS27472T12B35S](#) [MS27472T12B35SA](#)
[MS27472T12B4S](#) [MS27472T12B8P](#) [MS27472T12B98P](#) [MS27472T12B98P-LC](#) [MS27472T12B98S](#)
[MS27472T12F35P](#) [MS27472T14A35S](#) [MS27472T14B15P](#) [MS27472T14B15S](#) [MS27472T14B18P](#) [MS27472T14B18S](#)
[MS27472T14B35P](#) [MS27472T14B35S](#) [MS27472T14B5P](#) [MS27472T14B97S](#) [MS27472T14F18S](#)
[MS27472T14F35P](#) [MS27472T14F35S](#) [MS27472T16B26S](#) [MS27472T16B26S-LC](#) [MS27472T16B35P](#)
[MS27472T16B35S](#) [MS27472T16B6P](#) [MS27472T16B8SA](#) [MS27472T16C8P](#) [MS27472T18B32P](#) [MS27472T18B35P](#)
[MS27472T18B35S](#) [MS27472T18F32S](#) [MS27472T18F35S](#) [MS27472T18F53S](#) [MS27472T20B16P](#) [MS27472T20B35P](#)