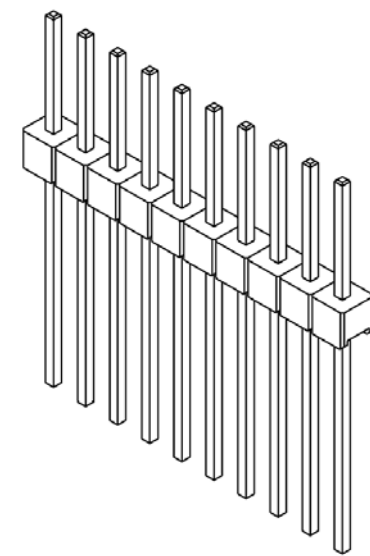
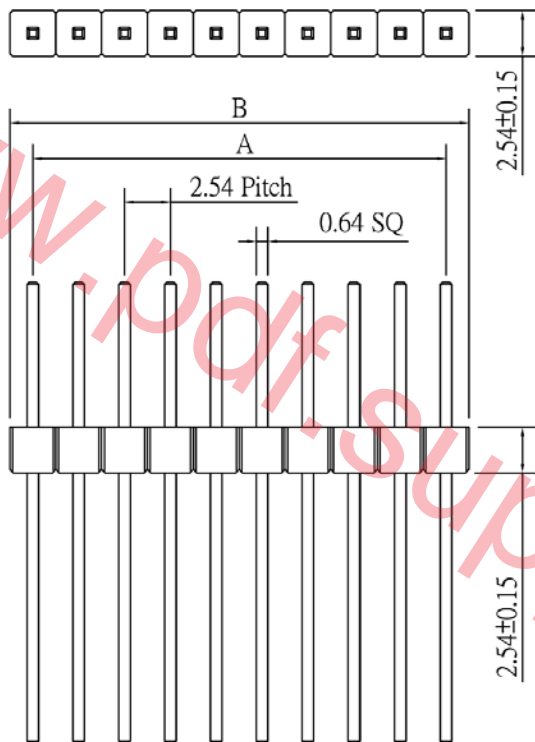


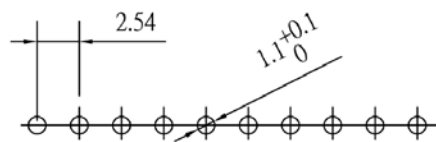
www.pdf-supply.com



**SPECIFICATIONS**

Contact material: Brass  
 Contact plating: Tin or gold flash over nickel  
 Insulator material: PBT

$A = 2.54 * (\text{No of Spaces} - 1)$   
 $B = A + 2.54 \pm 0.35$



P.C.Board Layout

| Series                   | Rows                         | Positions                  | Contact length                                | Plating  |
|--------------------------|------------------------------|----------------------------|---|--|
| APH                      | X                            | XX                         | CSL   | XX   |
| Pin header, 2.54mm pitch | 1=Single row<br>2=Double row | 1-40 single<br>2-80 double | CSL= customer specified length<br>See diagram | TN=Tin<br>SGXX=Selective gold<br>GDXX=Gold<br>XX=Flash if blank; 15, 30, 50µ" gold |

RoHS compliant

| Rev. | Description | Date | Approved | Drawing    | Name        | Date        |
|------|-------------|------|----------|------------|-------------|-------------|
|      |             |      |          | Approved   | Howard      | 08/10/99    |
|      |             |      |          | Checked    | Lizzy       | 08/10/99    |
|      |             |      |          | Drawn      | Tina        | 08/10/99    |
|      |             |      |          | 0.0 ± 0.35 | 0.00 ± 0.20 | Angles ± 3' |
|      |             |      |          |            | UNIT: mm    |             |

**Central Components Manufacturing**  
 440 Lincoln Blvd., Middlesex, New Jersey 08846  
 Phone 732 469-5720 888 288-5152 Fax 732 469-1919

Part No.: **APH-1-XX-CSL(.315/1.005)-XX**

Description: Pin header, 2.54mm pitch, single row, straight, 15mm tail for wire wrap