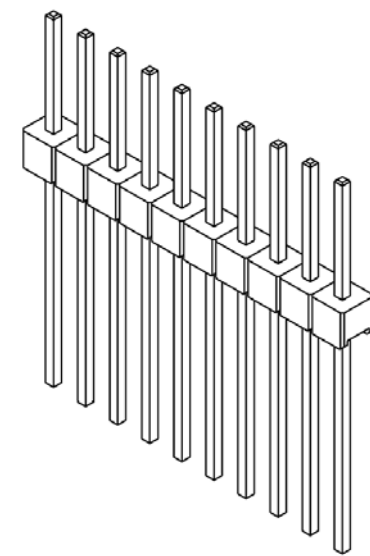
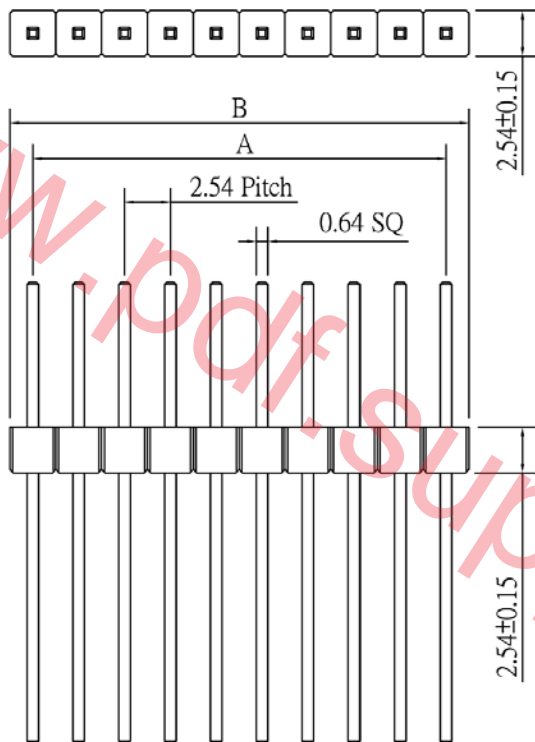


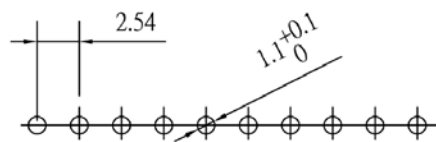
www.pdf-supply.com



SPECIFICATIONS

Contact material: Brass
 Contact plating: Tin or gold flash over nickel
 Insulator material: PBT

$A = 2.54 * (\text{No of Spaces} - 1)$
 $B = A + 2.54 \pm 0.35$



P.C.Board Layout

Series	Rows	Positions	Contact length	Plating
APH	X	XX	CSL	XX
Pin header, 2.54mm pitch	1=Single row 2=Double row	1-40 single 2-80 double	CSL= customer specified length See diagram	TN=Tin SGXX=Selective gold GDXX=Gold XX=Flash if blank; 15, 30, 50µ" gold

RoHS compliant

Rev.	Description	Date	Approved	Drawing	Name	Date
				Approved	Howard	08/10/99
				Checked	Lizzy	08/10/99
				Drawn	Tina	08/10/99
				0.0 ± 0.35	0.00 ± 0.20	Angles ± 3'
					UNIT: mm	

Central Components Manufacturing
 440 Lincoln Blvd., Middlesex, New Jersey 08846
 Phone 732 469-5720 888 288-5152 Fax 732 469-1919

Part No.: **APH-1-XX-CSL(.315/1.005)-XX**

Description: Pin header, 2.54mm pitch, single row, straight, 15mm tail for wire wrap