

11 FET's Metal Can

For Chopping and Switching

Type No.	Case	Pol	BVGSS min. V	IGSS max. nA	rds (on) ohms	Ciss max. pF	Crss max. pF	ID (off) nA	IDSS min. mA	Vp max. V	ton nS	max.
2N3824	TO72	N	50	0.1	250	6	3	0.1		8		
2N3970	TO18	N	40	0.25	30	25	6	0.25	50	10	20	
2N3971	TO18	N	40	0.25	60	25	6	0.25	25	5	30	
2N3972	TO18	N	40	0.25	100	25	6	0.25	5	3	80	
2N4091	TO18	N	40	0.2	30	16	5	0.2	30	10	25	
2N4092	TO18	N	40	0.2	50	16	5	0.2	15	7	35	
2N4093	TO18	N	40	0.2	80	16	5	0.2	8	5	60	
2N4391	TO18	N	40	0.1	30	14	3.5	0.1	50	10	15	
2N4392	TO18	N	40	0.1	60	14	3.5	0.1	25	5	15	
2N4393	TO18	N	40	0.1	100	14	3.5	0.1	5	3	15	
2N4856A	TO18	N	40	0.25	25	10	4	0.25	50	10	8	
2N4857A	TO18	N	40	0.25	40	10	3.5	0.25	20	6	10	
2N4858A	TO18	N	40	0.25	60	10	3.5	0.25	8	4	16	
2N4859A	TO18	N	30	0.25	25	10	4	0.25	50	10	8	
2N4860A	TO18	N	30	0.25	40	10	3.5	0.25	20	6	10	
2N4861A	TO18	N	30	0.25	60	10	3.5	0.25	8	4	16	
2N5549	TO18	N	40	0.25	100	8	2	0.25	10	6		
2N2497	TO5	P	20	10	1000	32		10,000	1			
2N2498	TO5	P	20	10	800	32		10,000	2			
2N2499	TO5	P	20	10	600	32		10,000	5			
2N3329	TO72	P	20	10	1000	20			1	5		
2N3330	TO72	P	20	10	1500	20			2	6		
2N3331	TO72	P	20	10	2000	20			5	8		
2N3993	TO72	P	25	1.2	150	16	4.5	1.2	10	9.5		
2N3993A	TO72	P	25	1.2	150	12	3	1.2	10	9.5		
2N3994	TO72	P	25	1.2	300	16	5	1.2	2	5.5		
2N3994A	TO72	P	25	1.2	300	12	3.5	1.2	2	5.5		

For VHF Amplifiers and Mixers

Type No.	Case	Pol	IGSS max. nA	Vp max. V	Ciss max. pF	Crss max. pF	Yfs min. μmho	Gps min. MHz	NF max. dB
2N3823	TO72	N	0.5	8	6	2	3200	200	2.5
2N4416	TO72	N	0.1	6	4	0.8	4000	400	4
2N4416A	TO72	N	0.1	6	4	0.8	4000	10	4
2N5549	TO18	N	0.25	6	8	2	6000		

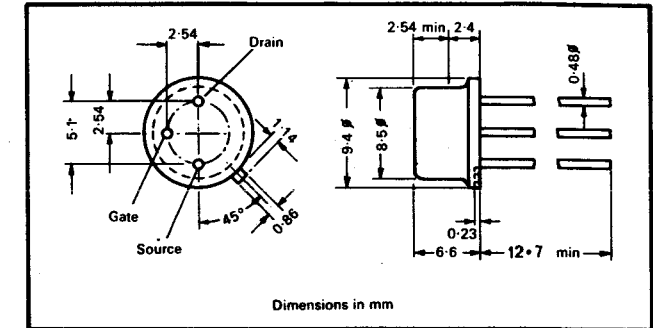
For General Purpose Amplifiers

Type No.	Case	Pol	BVDGO min. V	IGSS max. nA	IGSS min. mA	Yfs min. μmho	Vp max. V	Ciss max. pF	Crss max. pF	NF dB max.
2N3821	TO72	N	50	0.1	0.5	1500	4	6	3	6
2N3822	TO72	N	50	0.1	2	3000	6	6	3	5
BFW61	TO72	N	25	1.0	2.0	2000	8	6	2	
2N4220	TO72	N	30	0.1	0.5	1000	4	6	2	
2N4220A	TO72	N	30	0.1	0.5	1000	4	6	2	2.5
2N4221	TO72	N	30	0.1	2	2000	6	6	2	
2N4221A	TO72	N	30	0.1	2	2000	6	6	2	2.5
2N4222	TO72	N	30	0.1	5	2500	8	6	2	
2N4222A	TO72	N	30	0.1	5	2500	8	6	2	2.5
BFW10	TO72	N	30	0.5	8	3.5	8	5	0.75	2.5
BFW11	TO72	N	30	0.5	4	3.0	6	5	0.75	2.5
2N2386	TO5	P	20	10		1000		50		
2N2386A	TO5	P	20	10	1	2200		10		
2N2497	TO5	P	20	10	1	1000		32		3
2N2498	TO5	P	20	10	2	1500		32		3
2N2499	TO5	P	20	10	5	2000		32		4
2N2500	TO5	P	20	10	1	1000		32		1
2N2608	TO18	P	30	10	4	1000		17		3
2N2609	TO18	P	30	30	4	2500		30		3
2N3329	TO72	P	20	10	1	1000	5	20		3
2N3330	TO72	P	20	10	2	1500	6	20		3
2N3331	TO72	P	20	10	5	2000	8	20		4
2N3332	TO72	P	20	10	1	1000	6	20		1
2N3909	TO72	P	20	10	0.3	1000	8	32	16	
2N3909A	TO72	P	20	10	0.3	2200	8	9	3	

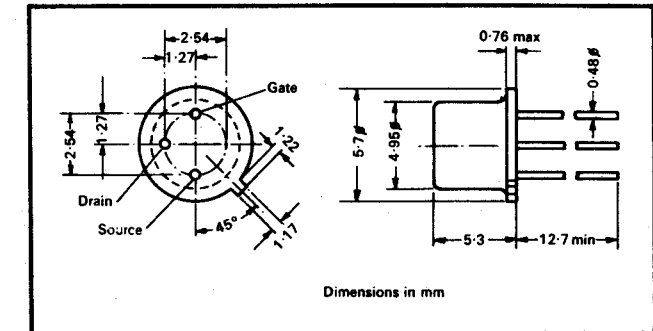
For Low Noise Amplifiers

Type No.	Case	Pol	BVDGO min. V	IGSS max. nA	IDSS min. mA	Yfs min. μmho	Vp max. V	Ciss max. pF	Crss max. pF	en @ 10Hz nV/ Hz
BFW54	TO72	N	50	0.1	2	3000	6	6	3	100
BFW55	TO72	N	50	0.1	2	3000	6	6	3	40
BFW56	TO72	N	50	0.1	2	3000	6	6	3	20

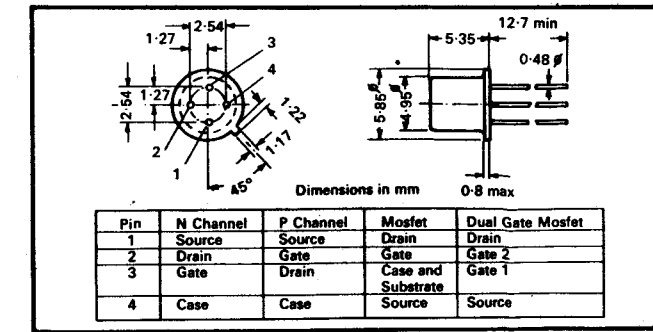
Case Outlines



TO-5



TO-18



TO-72