

**LM119QML**

*LM119QML High Speed Dual Comparator*

PDF.Support



Literature Number: SNOSAN3A

# LM119QML

## High Speed Dual Comparator

### General Description

The LM119 is a precision high speed dual comparator fabricated on a single monolithic chip. It is designed to operate over a wide range of supply voltages down to a single 5V logic supply and ground. Further, it has higher gain and lower input currents than devices like the LM710. The uncommitted collector of the output stage makes the LM119 compatible with RTL, DTL and TTL as well as capable of driving lamps and relays at currents up to 25 mA.

Although designed primarily for applications requiring operation from digital logic supplies, the LM119 is fully specified for power supplies up to  $\pm 15V$ . It features faster response than the LM111 at the expense of higher power dissipation. However, the high speed, wide operating voltage range and low package count make the LM119 much more versatile than older devices like the LM711.

### Features

- Available with radiation guaranteed
  - High Dose Rate 100 krad(Si)
  - ELDRS Free 100 krad(Si)
- Two independent comparators
- Operates from a single 5V supply
- Typically 80 ns response time at  $\pm 15V$
- Minimum fan-out of 2 each side
- Maximum input current of 1  $\mu A$  over temperature
- Inputs and outputs can be isolated from system ground
- High common mode slew rate

### Ordering Information

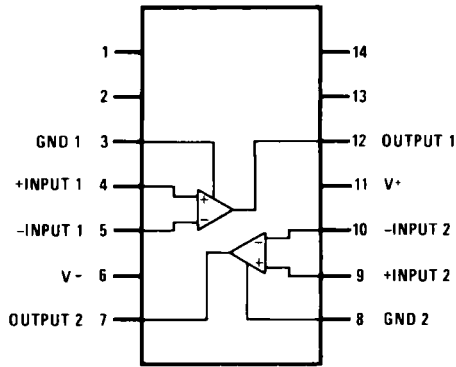
NS Part Number	SMD Part Number	NS Package Number	Package Description
LM119E/883		E20A	20LD LCC
LM119E-SMD	86014012A	E20A	20LD LCC
LM119H/883		H10C	10LD T0-100 Metal Can
LM119H-SMD	86014011A	H10C	10LD T0-100 Metal Can
LM119H-QMLV	5962-9679801VIA	H10C	10LD T0-100 Metal Can
LM119HRQMLV <b>HIGH DOSE RATE</b> (Note 13)	5962R9679801VIA 100 krad(Si)	H10C	10LD T0-100 Metal Can
LM119HRLQMLV <b>ELDRS FREE</b> (Note 14)	5962R9679802VIA 100 krad(Si)	H10C	10LD T0-100 Metal Can
LM119J/883		J14A	14LD CERDIP
LM119J-SMD	8601401CA	J14A	14LD CERDIP
LM119J-QMLV	5962-9679801VCA	J14A	14LD CERDIP
LM119JRQMLV <b>HIGH DOSE RATE</b> (Note 13)	5962R9679801VCA 100 krad(Si)	J14A	14LD CERDIP
LM119JRLQMLV <b>ELDRS FREE</b> (Note 14)	5962R9679802VCA 100 krad(Si)	J14A	14LD CERDIP
LM119W/883		W10A	10LD CERPAK
LM119W-SMD	8601401HA	W10A	10LD CERPAK
LM119W-QMLV	5962-9679801VHA	W10A	10LD CERPAK
LM119WRQMLV <b>HIGH DOSE RATE</b> (Note 13)	5962R9679801VHA 100 krad(Si)	W10A	10LD CERPAK
LM119WRLQMLV <b>ELDRS FREE</b> (Note 14)	5962R9679802VHA 100 krad(Si)	W10A	10LD CERPAK
LM119WG/883		WG10A	10LD Ceramic SOIC
LM119WG-QMLV	5962-9679801VXA	WG10A	10LD Ceramic SOIC
LM119WGRQMLV <b>HIGH DOSE RATE</b> (Note 14)	5962R9679801VXA 100 krad(Si)	WG10A	10LD Ceramic SOIC

NS Part Number	SMD Part Number	NS Package Number	Package Description
LM119WGRLQMLV <b>ELDRS FREE</b> (Note 14)	5962R9679802VXA 100 krad(Si)	WG10A	10LD Ceramic SOIC
LM119 MDE <b>ELDRS FREE DIE</b> (Notes 1, 14)	5962R9679802V9A 100 krad(Si)		
LM119 MDR <b>HIGH DOSE RATE DIE</b> (Notes 1, 13)	5962R9679801V9A 100 krad(Si)		

Note 1: FOR ADDITIONAL DIE INFORMATION, PLEASE VISIT THE HI REL WEB SITE AT: [www.national.com/analog/space/level\\_die](http://www.national.com/analog/space/level_die)

## Connection Diagrams

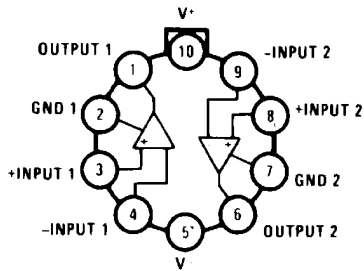
Dual-In-Line Package



20143704

Top View  
See NS Package Number J14A

Metal Can Package

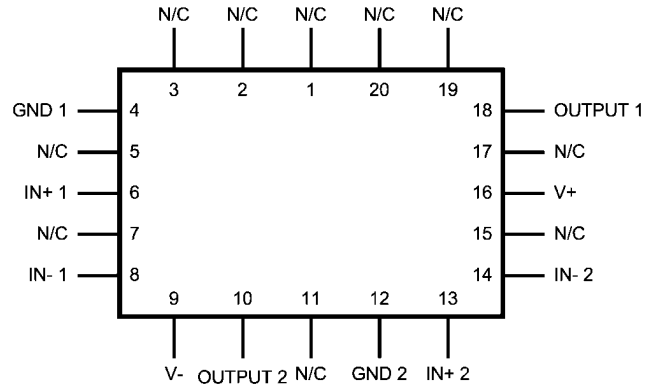


20143707

Case is connected to pin 5 (V-)

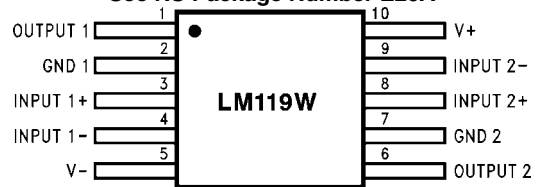
Top View  
See NS Package Number H10C

Leadless Chip Carrier



20143708

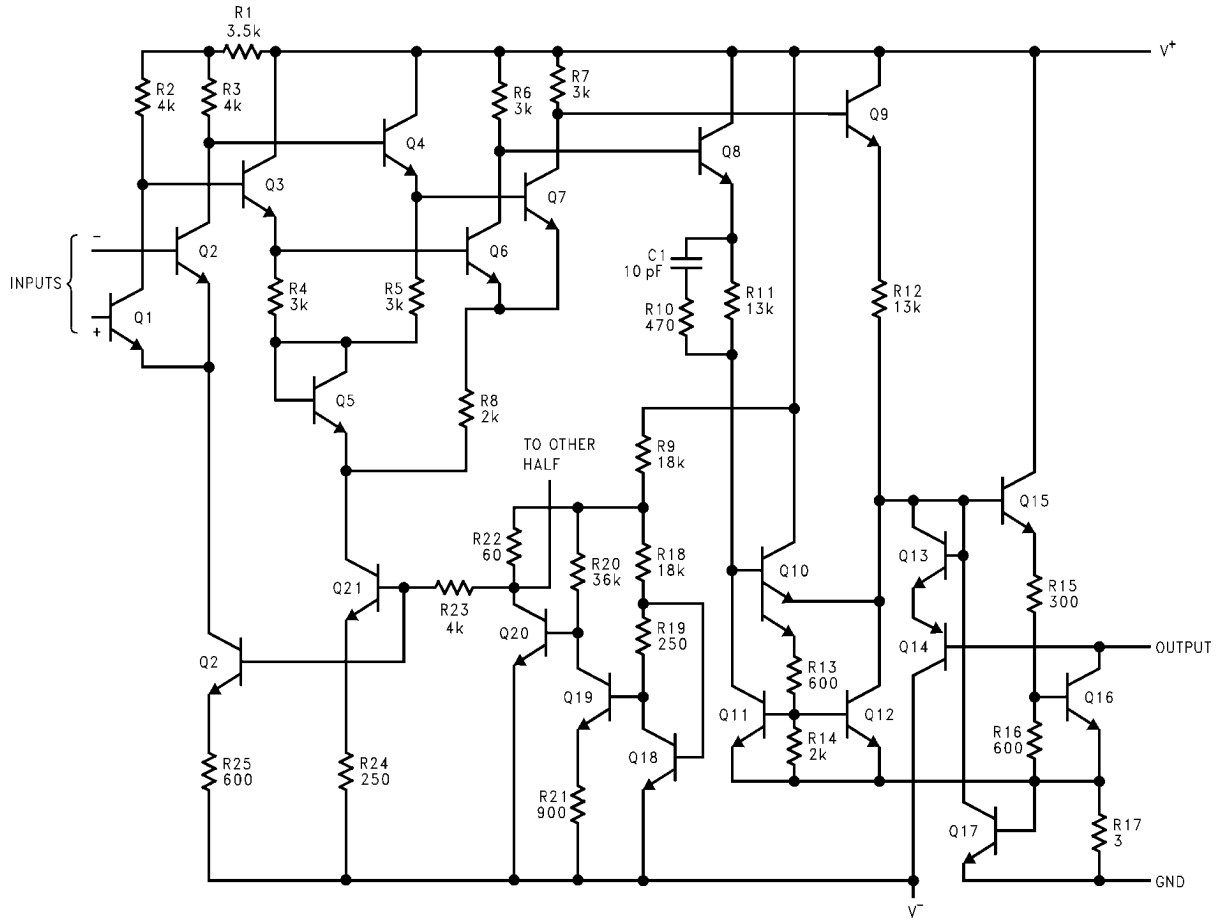
Top View  
See NS Package Number E20A



20143709

See NS Package Number W10A, WG10A

# Schematic Diagram



20143701

\*Do not operate the LM119 with more than 16V between GND and V+

**Absolute Maximum Ratings** (Note 2)

Total Supply Voltage	36V
Output to Negative Supply Voltage	36V
Ground to Negative Supply Voltage	25V
Ground to Positive Supply Voltage	18V
Differential Input Voltage	±5V
Input Voltage (Note 4)	±15V
Power Dissipation (Note 3)	500 mW
Output Short Circuit Duration	10 sec
Storage Temperature Range	-65°C ≤ T <sub>A</sub> ≤ 150°C
Operating Ambient Temperature Range	-55°C ≤ T <sub>A</sub> ≤ 125°C
Maximum Junction Temperature (T <sub>J</sub> )	150°C
Lead Temperature (Soldering, 10 sec.)	260°C
Thermal Resistance	
<b>θ<sub>JA</sub></b>	
E Package (Still Air)	89°C/W
E Package (500LF/Min Air flow)	63°C/W
H Package (Still Air)	162°C/W
H Package (500LF/Min Air flow)	88°C/W
J Package (Still Air)	94°C/W
J Package (500LF/Min Air flow)	52°C/W
W Package (Still Air)	215°C/W
W Package (500LF/Min Air flow)	132°C/W
WG Package (Still Air)	215°C/W
WG Package (500LF/Min Air flow)	132°C/W
<b>θ<sub>JC</sub></b>	
E Package	5°C/W
H Package	31°C/W
J Package	11°C/W
W Package	13°C/W
WG Package	13°C/W
Package Weight	
E Package	TBD
H Package	TBD
J Package	TBD
W Package	TBD
WG Package	225mg
ESD rating (Note 5)	800V

## Quality Conformance Inspection

Mil-Std-883, Method 5005 - Group A

Subgroup	Description	Temp °C
1	Static tests at	25
2	Static tests at	125
3	Static tests at	-55
4	Dynamic tests at	25
5	Dynamic tests at	125
6	Dynamic tests at	-55
7	Functional tests at	25
8A	Functional tests at	125
8B	Functional tests at	-55
9	Switching tests at	25
10	Switching tests at	125
11	Switching tests at	-55
12	Settling time at	25
13	Settling time at	125
14	Settling time at	-55

## LM119/883 Electrical Characteristics

### DC Parameters

The following conditions apply, unless otherwise specified.  $V_{CM} = 0V$

Symbol	Parameter	Conditions	Notes	Min	Max	Units	Sub-groups
$+I_{CC}$	Positive Supply Current	$\pm V_{CC} = \pm 15V, V_O = \text{Low}$ $V^+ = 5.6V \text{ thru } 1.4K\Omega$			11	mA	1
					11.5	mA	2
$-I_{CC}$	Negative Supply Current	$\pm V_{CC} = \pm 15V, V_O = \text{Low}$ $V^+ = 5.6V \text{ thru } 1.4K\Omega$		-4.2		mA	1
				-4.5		mA	2
$I_{Leak}$	Output Leakage Current	$+V_{CC} = 15V, -V_{CC} = -1V,$ $V_{Gnd} = 0V, V_O = 35V,$ $V_I = 5mV$			1.8	$\mu A$	1
					9.5	$\mu A$	2
					10.0	$\mu A$	3
$I_{IB}$	Input Bias Current	$\pm V_{CC} = \pm 15V$			0.475	$\mu A$	1
					0.95	$\mu A$	2, 3
		$+V_{CC} = 5V, -V_{CC} = 0V,$ $V_{CM} = 1.5V$			0.475	$\mu A$	1
					.95	$\mu A$	2, 3
$V_{IO}$	Input Offset Voltage	$+V_{CC} = 5V, -V_{CC} = 0V,$ $V_{CM} = 1V, R_S \leq 5K\Omega$		-3.8	3.8	mV	1
				-6.8	6.8	mV	2, 3
		$+V_{CC} = 5V, -V_{CC} = 0V,$ $V_{CM} = 3V, R_S \leq 5K\Omega$		-3.8	3.8	mV	1
				-6.8	6.8	mV	2, 3
		$\pm V_{CC} = \pm 15V, V_{CM} = 12V,$ $R_S \leq 5K\Omega$		-3.8	3.8	mV	1
				-6.8	6.8	mV	2, 3
$I_{IO}$	Input Offset Current	$+V_{CC} = 5V, -V_{CC} = 0V, V_{CM} = 1V$		-75	75	nA	1
				-100	100	nA	2, 3
		$+V_{CC} = 5V, -V_{CC} = 0V, V_{CM} = 3V$		-75	75	nA	1
				-100	100	nA	2, 3
		$\pm V_{CC} = \pm 15V, V_{CM} = 12V$		-75	75	nA	1
				-100	100	nA	2, 3
$V_{Sat}$	Output Saturation Voltage	$\pm V_{CC} = \pm 15V, I_O = 25mA,$ $V_I = -5mV$			1.5	V	1
		$+V_{CC} = 5V, -V_{CC} = 0V,$ $I_O = 4.0mA$	(Note 12)		0.4	V	1, 2
			(Note 12)		0.6	V	3
$A_V$	Voltage Gain	$\pm V_{CC} = \pm 15V, \Delta V_O = 12V,$ $R_L = 1.4K\Omega$	(Note 9), (Note 10)	10.5		K	4
			(Note 9), (Note 10)	10		K	5, 6
		$+V_{CC} = 5V, -V_{CC} = 0V,$ $\Delta V_O = 4.5V, R_L = 1.4K\Omega$	(Note 9), (Note 11)	8.0		K	4
			(Note 9), (Note 11)	5.0		K	5
			(Note 9), (Note 11)	5.8		K	6
			(Note 9), (Note 11)				

# LM119-SMD Electrical Characteristics SMD 8601401

## DC Parameters

The following conditions apply, unless otherwise specified.  $V_{CM} = 0V$

Symbol	Parameter	Conditions	Notes	Min	Max	Units	Sub-groups	
$+I_{CC}$	Positive Supply Current	$\pm V_{CC} = \pm 15V$ , $V_O = \text{Low}$ $V^+ = 5.6V$ thru $1.4K\Omega$			11	mA	1	
					11.5	mA	2, 3	
$-I_{CC}$	Negative Supply Current	$\pm V_{CC} = \pm 15V$ , $V_O = \text{Low}$ $V^+ = 5.6V$ thru $1.4K\Omega$			-4.2	mA	1	
					-4.5	mA	2	
					-6.0	mA	3	
$I_{Leak}$	Output Leakage Current	$+V_{CC} = 15V$ , $-V_{CC} = -1V$ , $V_{Gnd} = 0V$ , $V_O = 35V$	(Note 6)		1.8	$\mu A$	1	
			(Note 6)		10	$\mu A$	2, 3	
$I_{IB}$	Input Bias Current	$\pm V_{CC} = \pm 15V$			0.475	$\mu A$	1	
					0.95	$\mu A$	2, 3	
		$+V_{CC} = 5V$		(Note 7)		0.475	$\mu A$	1
				(Note 7)		.95	$\mu A$	2, 3
$V_{IO}$	Input Offset Voltage	$+V_{CC} = 5V$ , $V_{CM} = 1V$ , $R_S \leq 5K\Omega$	(Note 7)	-3.8	3.8	mV	1	
			(Note 7)	-6.8	6.8	mV	2, 3	
		$+V_{CC} = 5V$ , $V_{CM} = 3V$ , $R_S \leq 5K\Omega$	(Note 7)	-3.8	3.8	mV	1	
			(Note 7)	-6.8	6.8	mV	2, 3	
		$\pm V_{CC} = \pm 15V$ , $V_{CM} = 12V$ , $R_S \leq 5K\Omega$		-3.8	3.8	mV	1	
				-6.8	6.8	mV	2, 3	
		$\pm V_{CC} = \pm 15V$ , $V_{CM} = -12V$ , $R_S \leq 5K\Omega$		-3.8	3.8	mV	1	
				-6.8	6.8	mV	2, 3	
$I_{IO}$	Input Offset Current	$+V_{CC} = 5V$ , $V_{CM} = 1V$	(Note 7)	-75	75	nA	1	
			(Note 7)	-100	100	nA	2, 3	
		$+V_{CC} = 5V$ , $V_{CM} = 3V$	(Note 7)	-75	75	nA	1	
			(Note 7)	-100	100	nA	2, 3	
		$\pm V_{CC} = \pm 15V$ , $V_{CM} = 12V$		-75	75	nA	1	
				-100	100	nA	2, 3	
		$\pm V_{CC} = \pm 15V$ , $V_{CM} = -12V$		-75	75	nA	1	
				-100	100	nA	2, 3	
$V_I$	Input Voltage Range	$+V_{CC} = 5V$	(Note 7), (Note 8)	1.0	3.0	V	1, 2, 3	
			(Note 8)	-12	12	V	1, 2, 3	
$V_{Sat}$	Output Saturation Voltage	$\pm V_{CC} = \pm 15V$ , $I_O = 25mA$ , $V_I \leq -5mV$	(Note 6)		1.5	V	1, 2, 3	
					0.4	V	1, 2	
					0.6	V	3	
$A_V$	Voltage Gain	$\pm V_{CC} = \pm 15V$ , $\Delta V_O = 12V$ , $R_L = 1.4K\Omega$	(Note 9)	10.5		K	4	
			(Note 9)	10		K	5, 6	
		$+V_{CC} = 5V$ , $-V_{CC} = 0V$ , $\Delta V_O = 4.5V$ , $R_L = 1.4K\Omega$	(Note 7), (Note 9)	8.0		K	4	
			(Note 7), (Note 9)	5.0		K	5	
			(Note 7), (Note 9)	5.8		K	6	
CMRR	Common Mode Rejection Ratio	$\pm V_{CC} = \pm 15V$ , $V_{CM} = \pm 12V$		80		dB	4	



# LM119 Electrical Characteristics SMD 5962-9679801, HIGH DOSE RATE

## DC Parameters

The following conditions apply, unless otherwise specified.  $V_{CM} = 0V$

Symbol	Parameter	Conditions	Notes	Min	Max	Units	Sub-groups	
+I <sub>CC</sub>	Positive Supply Current	$\pm V_{CC} = \pm 15V, V_O = \text{Low}$ $V^+ = 5.6V \text{ thru } 1.4K\Omega$			11	mA	1	
					11.5	mA	2, 3	
-I <sub>CC</sub>	Negative Supply Current	$\pm V_{CC} = \pm 15V, V_O = \text{Low}$ $V^+ = 5.6V \text{ thru } 1.4K\Omega$			-4.2	mA	1	
					-4.5	mA	2	
					-6.0	mA	3	
I <sub>Leak</sub>	Output Leakage Current	$+V_{CC} = 15V, -V_{CC} = -1V,$ $V_{Gnd} = 0V, V_O = 35V$	(Note 6)		1.8	$\mu A$	1	
			(Note 6)		10	$\mu A$	2, 3	
I <sub>IB</sub>	Input Bias Current	$\pm V_{CC} = \pm 15V$			0.475	$\mu A$	1	
					0.95	$\mu A$	2, 3	
		$+V_{CC} = 5V$		(Note 7)		0.475	$\mu A$	1
				(Note 7)		.95	$\mu A$	2, 3
V <sub>IO</sub>	Input Offset Voltage	$+V_{CC} = 5V, V_{CM} = 1V, R_S \leq 5K\Omega$	(Note 7)	-3.8	3.8	mV	1	
			(Note 7)	-6.8	6.8	mV	2, 3	
		$+V_{CC} = 5V, V_{CM} = 3V,$ $R_S \leq 5K\Omega$	(Note 7)	-3.8	3.8	mV	1	
			(Note 7)	-6.8	6.8	mV	2, 3	
		$\pm V_{CC} = \pm 15V, V_{CM} = 12V,$ $R_S \leq 5K\Omega$		-3.8	3.8	mV	1	
				-6.8	6.8	mV	2, 3	
		$\pm V_{CC} = \pm 15V, V_{CM} = -12V,$ $R_S \leq 5K\Omega$		-3.8	3.8	mV	1	
				-6.8	6.8	mV	2, 3	
I <sub>IO</sub>	Input Offset Current	$+V_{CC} = 5V, V_{CM} = 1V$	(Note 7)	-75	75	nA	1	
			(Note 7)	-100	100	nA	2, 3	
		$+V_{CC} = 5V, V_{CM} = 3V$	(Note 7)	-75	75	nA	1	
			(Note 7)	-100	100	nA	2, 3	
		$\pm V_{CC} = \pm 15V, V_{CM} = 12V$		-75	75	nA	1	
				-100	100	nA	2, 3	
		$\pm V_{CC} = \pm 15V, V_{CM} = -12V$		-75	75	nA	1	
				-100	100	nA	2, 3	
V <sub>I</sub>	Input Voltage Range	$+V_{CC} = 5V$	(Note 7), (Note 8)	1.0	3.0	V	1, 2, 3	
		$\pm V_{CC} = \pm 15V$	(Note 8)	-12	12	V	1, 2, 3	
V <sub>Sat</sub>	Output Saturation Voltage	$\pm V_{CC} = \pm 15V, I_O = 25mA,$ $V_I \leq -5mV$	(Note 6)		1.5	V	1, 2, 3	
		$+V_{CC} = 3.5V, -V_{CC} = -1V,$ $V_I \leq -6mV, I_O \leq 3.2mA$			0.4	V	1, 2	
					0.6	V	3	
A <sub>V</sub>	Voltage Gain	$\pm V_{CC} = \pm 15V, \text{Delta } V_O = 12V,$ $R_L = 1.4K\Omega$	(Note 9)	10.5		K	4	
			(Note 9)	10		K	5, 6	
		$+V_{CC} = 5V, -V_{CC} = 0V,$ $\text{Delta } V_O = 4.5V, R_L = 1.4K\Omega$	(Note 7), (Note 9)	8.0		K	4	
			(Note 7), (Note 9)	5.0		K	5	
			(Note 7), (Note 9)	5.8		K	6	
			(Note 7), (Note 9)					
CMRR	Common Mode Rejection Ratio	$\pm V_{CC} = \pm 15V, V_{CM} = \pm 12V$		80		dB	4	

## SMD 5962-9679801, HIGH DOSE RATE DC DELTA Parameters

The following conditions apply, unless otherwise specified.

$V_{CM} = 0V$ , Delta calculations performed on QMLV devices at group B, subgroup 5 only.

Symbol	Parameter	Conditions	Notes	Min	Max	Units	Sub-groups
$+I_{CC}$	Positive Supply Current	$\pm V_{CC} = \pm 15V$ , $V_O = \text{Low}$ $V^+ = 5.6V$ thru $1.4K\Omega$		-1.0	1.0	mA	1
$-I_{CC}$	Negative Supply Current	$\pm V_{CC} = \pm 15V$ , $V_O = \text{Low}$ $V^+ = 5.6V$ thru $1.4K\Omega$		-0.5	0.5	mA	1
$V_{IO}$	Input Offset Voltage	$+V_{CC} = 5V$ , $V_{CM} = 1V$ , $R_S \leq 5K\Omega$		-0.4	0.4	mV	1

## SMD 5962-9679801, High Dose Rate 100K Post Radiation Parameters @ 25°C (Note 13)

The following conditions apply, unless otherwise specified.  $V_{CM} = 0V$

Symbol	Parameter	Conditions	Notes	Min	Max	Units	Sub-groups
$I_{IB}$	Input Bias Current	$\pm V_{CC} = \pm 15V$			1.0	$\mu A$	1
		$V_{CC} = 5V$			1.0	$\mu A$	1
$V_{IO}$	Input Offset Voltage	$+V_{CC} = 5V$ , $V_{CM} = 1V$ , $R_S \leq 5K\Omega$		-4.0	4.0	mV	1
		$+V_{CC} = 5V$ , $V_{CM} = 3V$ , $R_S \leq 5K\Omega$		-4.0	4.0	mV	1
		$\pm V_{CC} = \pm 15V$ , $V_{CM} = 12V$ , $R_S \leq 5K\Omega$		-4.0	4.0	mV	1
		$\pm V_{CC} = \pm 15V$ , $V_{CM} = -12V$ , $R_S \leq 5K\Omega$		-4.0	4.0	mV	1

# LM119 Electrical Characteristics SMD 5962-9679802, ELDRS FREE

## DC Parameters

The following conditions apply, unless otherwise specified.  $V_{CM} = 0V$

Symbol	Parameter	Conditions	Notes	Min	Max	Units	Sub-groups
$+I_{CC}$	Positive Supply Current	$\pm V_{CC} = \pm 15V$ , $V_O = \text{Low}$ $V^+ = 5.6V$ thru $1.4K\Omega$			11	mA	1
					11.5	mA	2, 3
$-I_{CC}$	Negative Supply Current	$\pm V_{CC} = \pm 15V$ , $V_O = \text{Low}$ $V^+ = 5.6V$ thru $1.4K\Omega$			-4.2	mA	1
					-4.5	mA	2
					-6.0	mA	3
$I_{Leak}$	Output Leakage Current	$+V_{CC} = 15V$ , $-V_{CC} = -1V$ , $V_{Gnd} = 0V$ , $V_O = 35V$	(Note 6)		1.8	$\mu A$	1
			(Note 6)		10	$\mu A$	2, 3
$I_{IB}$	Input Bias Current	$\pm V_{CC} = \pm 15V$			0.475	$\mu A$	1
					0.95	$\mu A$	2, 3
		$+V_{CC} = 5V$	(Note 7)		0.475	$\mu A$	1
			(Note 7)		.95	$\mu A$	2, 3
$V_{IO}$	Input Offset Voltage	$+V_{CC} = 5V$ , $V_{CM} = 1V$ , $R_S \leq 5K\Omega$	(Note 7)	-3.8	3.8	mV	1
			(Note 7)	-6.8	6.8	mV	2, 3
		$+V_{CC} = 5V$ , $V_{CM} = 3V$ , $R_S \leq 5K\Omega$	(Note 7)	-3.8	3.8	mV	1
			(Note 7)	-6.8	6.8	mV	2, 3
		$\pm V_{CC} = \pm 15V$ , $V_{CM} = 12V$ , $R_S \leq 5K\Omega$		-3.8	3.8	mV	1
				-6.8	6.8	mV	2, 3
		$\pm V_{CC} = \pm 15V$ , $V_{CM} = -12V$ , $R_S \leq 5K\Omega$		-3.8	3.8	mV	1
				-6.8	6.8	mV	2, 3
$I_{IO}$	Input Offset Current	$+V_{CC} = 5V$ , $V_{CM} = 1V$	(Note 7)	-75	75	nA	1
			(Note 7)	-100	100	nA	2, 3
		$+V_{CC} = 5V$ , $V_{CM} = 3V$	(Note 7)	-75	75	nA	1
			(Note 7)	-100	100	nA	2, 3
		$\pm V_{CC} = \pm 15V$ , $V_{CM} = 12V$		-75	75	nA	1
				-100	100	nA	2, 3
		$\pm V_{CC} = \pm 15V$ , $V_{CM} = -12V$		-75	75	nA	1
				-100	100	nA	2, 3
$V_I$	Input Voltage Range	$+V_{CC} = 5V$	(Note 8), (Note 8)	1.0	3.0	V	1, 2, 3
		$\pm V_{CC} = \pm 15V$	(Note 8)	-12	12	V	1, 2, 3
$V_{Sat}$	Output Saturation Voltage	$\pm V_{CC} = \pm 15V$ , $I_O = 25mA$ , $V_I \leq -5mV$	(Note 6)		1.5	V	1, 2, 3
					0.4	V	1, 2
		$+V_{CC} = 3.5V$ , $-V_{CC} = -1V$ , $V_I \leq -6mV$ , $I_O \leq 3.2mA$		0.6	V	3	
$A_V$	Voltage Gain	$\pm V_{CC} = \pm 15V$ , $\Delta V_O = 12V$ , $R_L = 1.4K\Omega$	(Note 9)	10.5		K	4
			(Note 9)	10		K	5, 6
		$+V_{CC} = 5V$ , $-V_{CC} = 0V$ , $\Delta V_O = 4.5V$ , $R_L = 1.4K\Omega$	(Note 7), (Note 9)	8.0		K	4
			(Note 7), (Note 9)	5.0		K	5
			(Note 7), (Note 9)	5.8		K	6
CMRR	Common Mode Rejection Ratio	$\pm V_{CC} = \pm 15V$ , $V_{CM} = \pm 12V$		80		dB	4

## SMD 5962-9679802, ELDRS FREE DC DELTA Parameters

The following conditions apply, unless otherwise specified.

$V_{CM} = 0V$ , Delta calculations performed on QMLV devices at group B, subgroup 5 only.

Symbol	Parameter	Conditions	Notes	Min	Max	Units	Sub-groups
$+I_{CC}$	Positive Supply Current	$\pm V_{CC} = \pm 15V$ , $V_O = \text{Low}$ $V^+ = 5.6V$ thru $1.4K\Omega$		-1.0	1.0	mA	1
$-I_{CC}$	Negative Supply Current	$\pm V_{CC} = \pm 15V$ , $V_O = \text{Low}$ $V^+ = 5.6V$ thru $1.4K\Omega$		-0.5	0.5	mA	1
$V_{IO}$	Input Offset Voltage	$+V_{CC} = 5V$ , $V_{CM} = 1V$ , $R_S \leq 5K\Omega$		-0.4	0.4	mV	1

## SMD 5962-9679802, ELDRS FREE 100K Post Radiation Parameters @ 25°C

(Note 14)

The following conditions apply, unless otherwise specified.  $V_{CM} = 0V$

Symbol	Parameter	Conditions	Notes	Min	Max	Units	Sub-groups
$I_{IB}$	Input Bias Current	$\pm V_{CC} = \pm 15V$			1.0	$\mu A$	1
		$V_{CC} = 5V$			1.0	$\mu A$	1
$V_{IO}$	Input Offset Voltage	$+V_{CC} = 5V$ , $V_{CM} = 1V$ , $R_S \leq 5K\Omega$		-4.0	4.0	mV	1
		$+V_{CC} = 5V$ , $V_{CM} = 3V$ , $R_S \leq 5K\Omega$		-4.0	4.0	mV	1
		$\pm V_{CC} = \pm 15V$ , $V_{CM} = 12V$ , $R_S \leq 5K\Omega$		-4.0	4.0	mV	1
		$\pm V_{CC} = \pm 15V$ , $V_{CM} = -12V$ , $R_S \leq 5K\Omega$		-4.0	4.0	mV	1

**Note 2:** Absolute Maximum Ratings indicate limits beyond which damage to the device may occur. Operating Ratings indicate conditions for which the device is functional, but do not guarantee specific performance limits. For guaranteed specifications and test conditions, see the Electrical Characteristics. The guaranteed specifications apply only for the test conditions listed. Some performance characteristics may degrade when the device is not operated under the listed test conditions.

**Note 3:** The maximum power dissipation must be derated at elevated temperatures and is dictated by  $T_{Jmax}$  (maximum junction temperature),  $\theta_{JA}$  (package junction to ambient thermal resistance), and  $T_A$  (ambient temperature). The maximum allowable power dissipation at any temperature is  $P_{Dmax} = (T_{Jmax} - T_A) / \theta_{JA}$  or the number given in the Absolute Maximum Ratings, whichever is lower.

**Note 4:** For supply voltages less than  $\pm 15V$  the absolute maximum input voltage is equal to the supply voltage.

**Note 5:** Human Body model,  $1.5K\Omega$  in series with  $100pF$ .

**Note 6:**  $V_I \geq 8mV$  at extremes for  $I_{Leak}$  and  $V_I \leq -8mV$  at extremes for  $V_{Sat}$  ( $V_I$  to exceed  $V_{OS}$ ).

**Note 7:** 5V differential across  $+V_{CC}$  and  $-V_{CC}$ .

**Note 8:** Parameter guaranteed by  $V_{IO}$  and  $I_{IO}$  tests.

**Note 9:**  $K = V/mV$ .

**Note 10:** Gain is computed with an output swing from  $+13.5V$  to  $+1.5V$ .

**Note 11:** Gain is computed with an output swing from  $+5.0V$  to  $+0.5V$ .

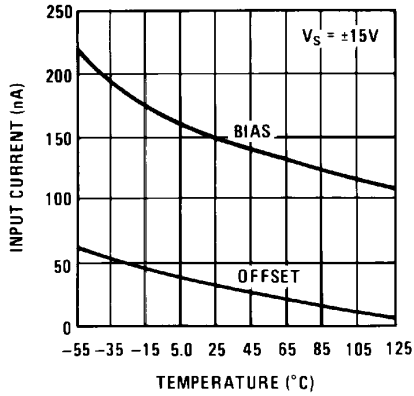
**Note 12:** Output is monitored by measuring  $V_I$  with limits from 0 to 6mV at all temperatures

**Note 13:** Pre and post irradiation limits are identical to those listed under AC and DC electrical characteristics except as listed in the Post Radiation Limits Table. These parts may be dose rate sensitive in a space environment and demonstrate enhanced low dose rate sensitivity. Radiation end point limits for the noted parameters are guaranteed only for the conditions as specified in MIL-STD-883, per Test Method 1019, Condition A.

**Note 14:** Pre and post irradiation limits are identical to those listed under AC and DC electrical characteristics except as listed in the Post Radiation Limits Table. Low dose rate testing has been performed on a wafer-by-wafer basis, per Test Method 1019, Condition D of MIL-STD-883, with no enhanced low dose rate sensitivity (ELDRS).

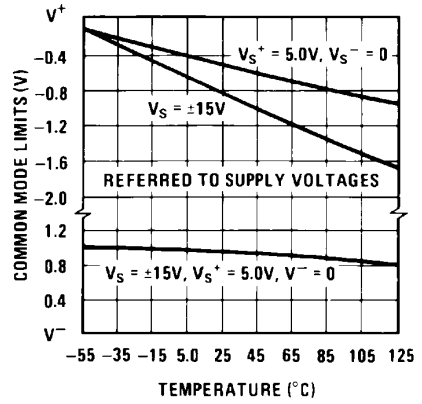
# Typical Performance Characteristics

Input Currents



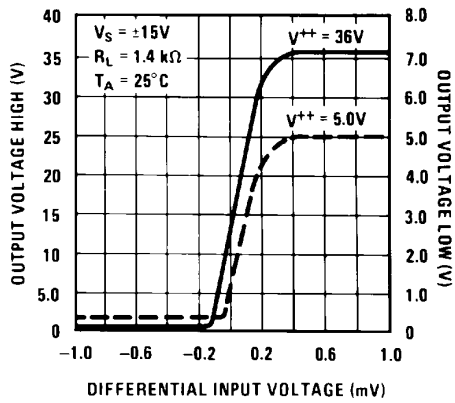
20143710

Common Mode Limits



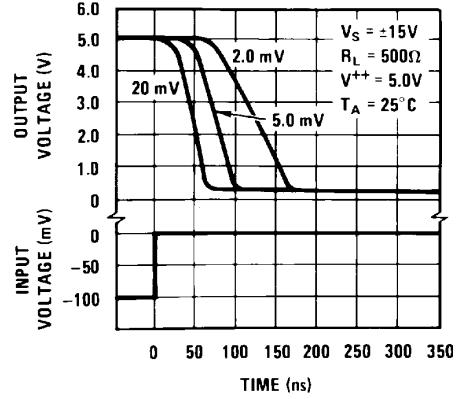
20143711

Transfer Function



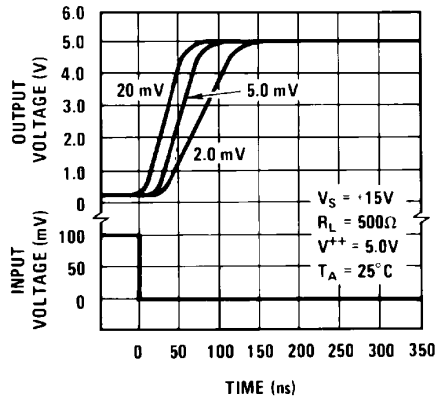
20143712

Response Time for Various Input Overdrives



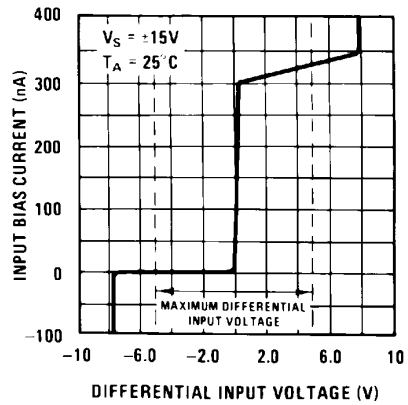
20143713

Response Time for Various Input Overdrives



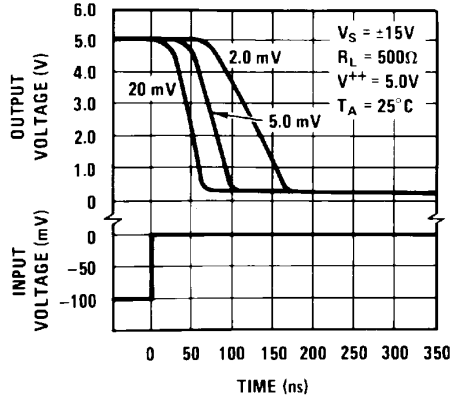
20143714

Input Characteristics



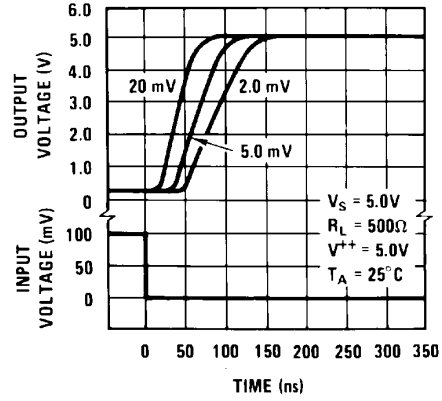
20143715

Response Time for Various Input Overdrives



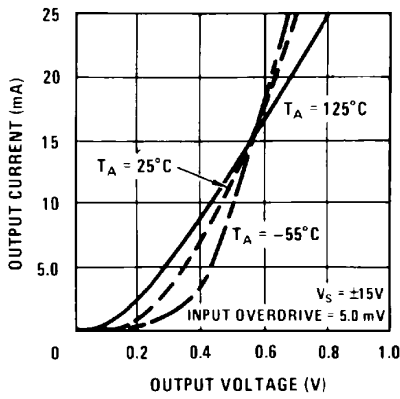
20143716

Response Time for Various Input Overdrives



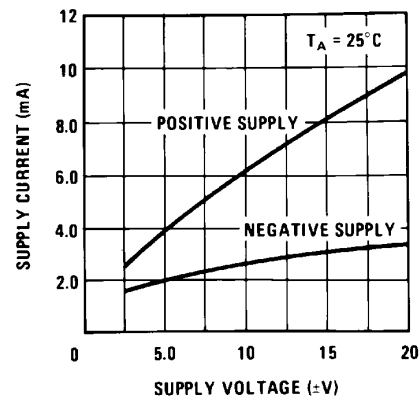
20143717

Output Saturation Voltage



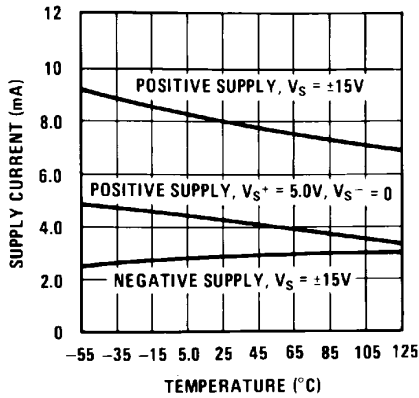
20143718

Supply Current



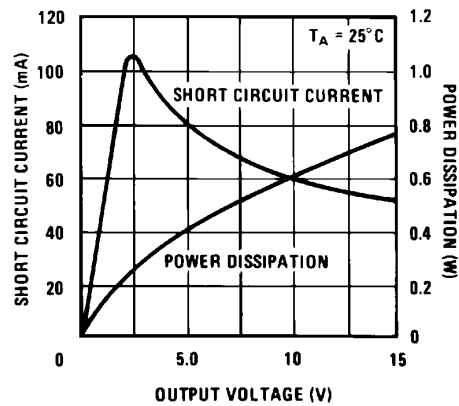
20143719

Supply Current



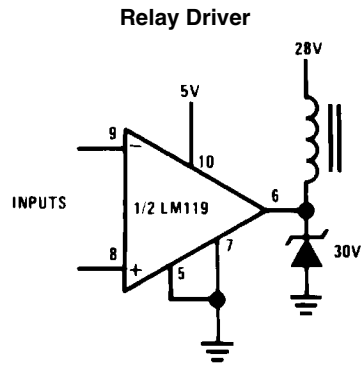
20143720

Output Limiting Characteristics



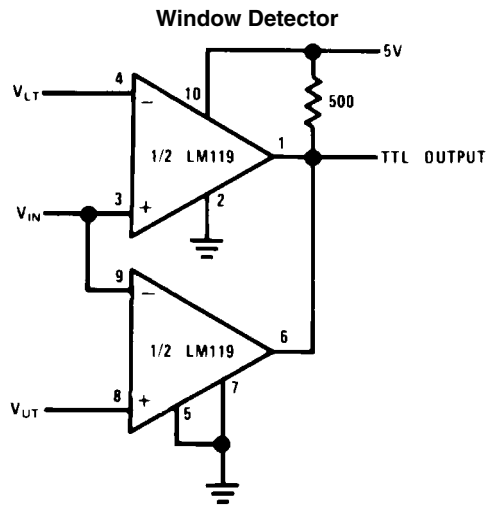
20143721

# Typical Applications (Note Pin numbers are for metal can package.)



20143705

**Note 15:** Pin numbers are for metal can package.



20143706

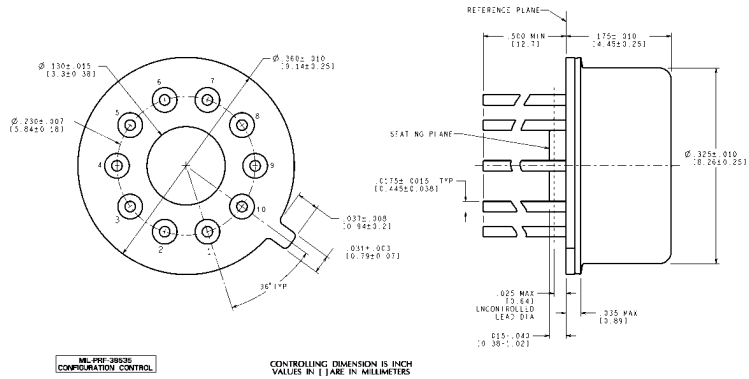
$V_{OUT} = 5V$  for  $V_{LT} \leq V_{IN} \leq V_{UT}$   
 $V_{OUT} = 0$  for  $V_{IN} \leq V_{LT}$  or  $V_{IN} \geq V_{UT}$

## Revision History

Date Released	Revision	Section	Originator	Changes
07/24/08	A	New release to corporate format	L. Lytle	2 MDS datasheets converted into one corporate data sheet format. Added Radiation information. MDS data sheets MNLM119-X Rev. 0F1 & MDLM119-X Rev 2A2 will be archived.
01/13/09	B	Features, Ordering Info., Electrical Section, Notes 13 and 14	Larry McGee	Added reference to ELDRS and Die NSID's to data sheet. Correction from: 100k rd(Si) to 100 krad(Si) in ordering info. Changed wording in Notes 13 and 14 Revision A will be Archived.

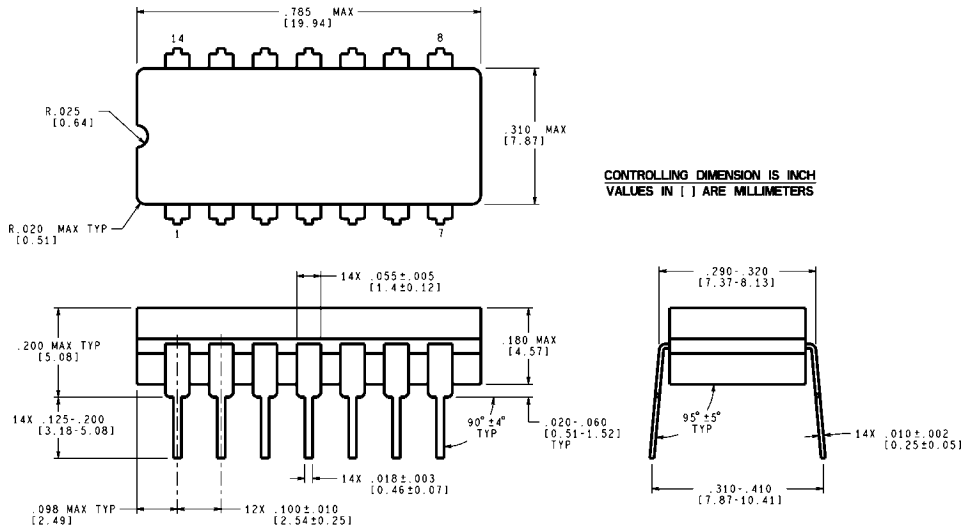


**Physical Dimensions** inches (millimeters) unless otherwise noted



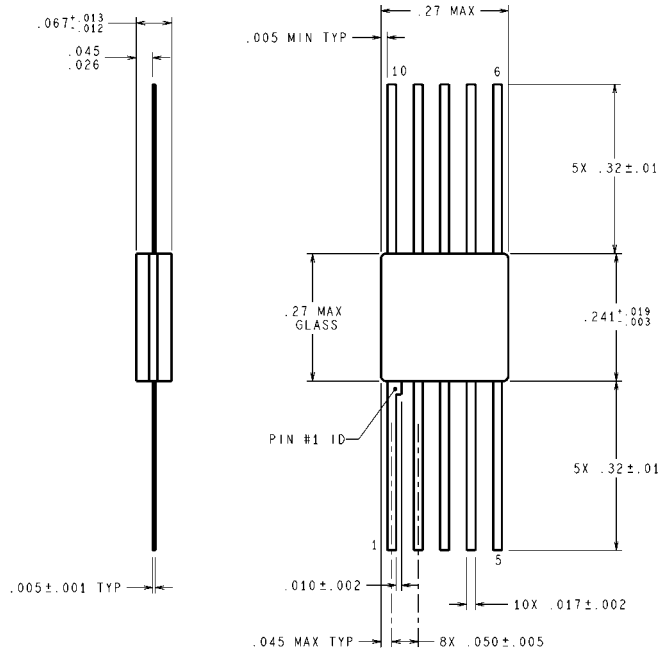
H10C (Rev G)

**Metal Can Package (H)  
NS Package Number H10C**



J14A (Rev J)

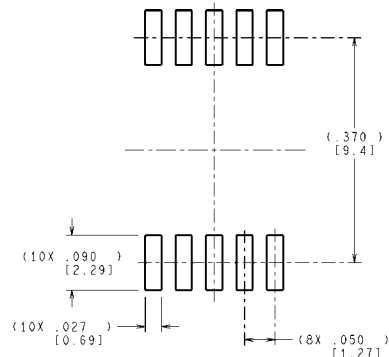
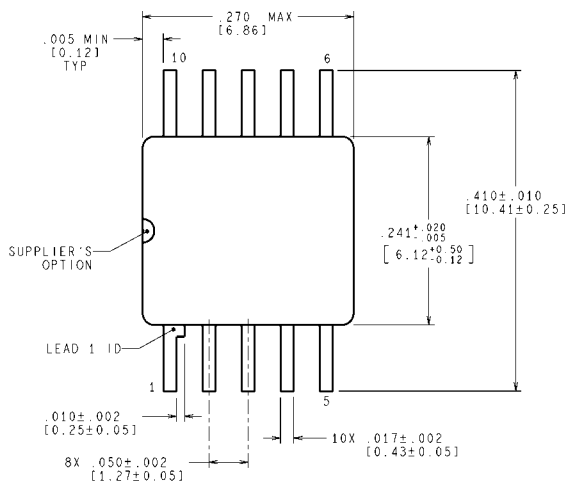
**Cavity Dual-In-Line Package (J)  
NS Package Number J14A**



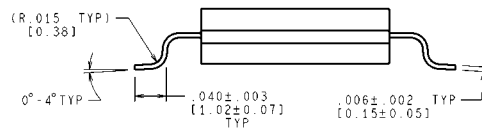
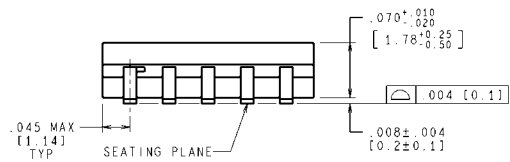
DIMENSIONS ARE IN INCHES

W10A (Rev H)

**Ceramic Flatpack (W)  
NS Package Number W10A**



RECOMMENDED LAND PATTERN

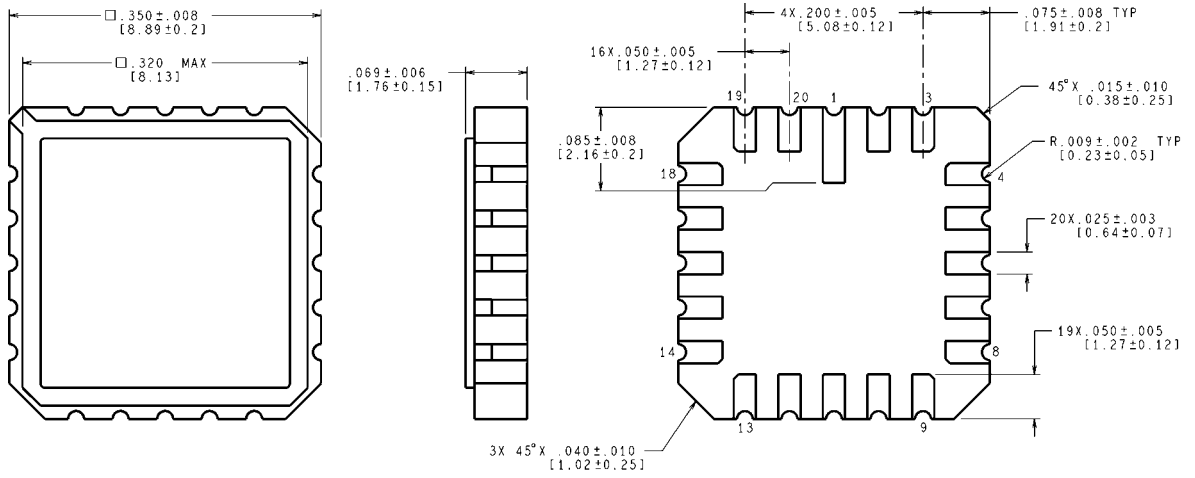


MIL-PRF-38535  
CONFIGURATION CONTROL

CONTROLLING DIMENSION IS INCH  
VALUES IN [ ] ARE MILLIMETERS  
DIMENSIONS IN ( ) FOR REFERENCE ONLY

WG10A (Rev F)

**Ceramic SOIC (WG)  
NS Package Number WG10A**



CONTROLLING DIMENSION IS INCH  
VALUES IN [ ] ARE MILLIMETERS

**Metal Leadless Chip Carrier (LCC)  
NS Package Number E20A**

E20A (Rev F)

# Notes

LM119QML

## Notes

For more National Semiconductor product information and proven design tools, visit the following Web sites at:

Products		Design Support	
Amplifiers	<a href="http://www.national.com/amplifiers">www.national.com/amplifiers</a>	WEBENCH® Tools	<a href="http://www.national.com/webench">www.national.com/webench</a>
Audio	<a href="http://www.national.com/audio">www.national.com/audio</a>	App Notes	<a href="http://www.national.com/appnotes">www.national.com/appnotes</a>
Clock and Timing	<a href="http://www.national.com/timing">www.national.com/timing</a>	Reference Designs	<a href="http://www.national.com/refdesigns">www.national.com/refdesigns</a>
Data Converters	<a href="http://www.national.com/adc">www.national.com/adc</a>	Samples	<a href="http://www.national.com/samples">www.national.com/samples</a>
Interface	<a href="http://www.national.com/interface">www.national.com/interface</a>	Eval Boards	<a href="http://www.national.com/evalboards">www.national.com/evalboards</a>
LVDS	<a href="http://www.national.com/lvds">www.national.com/lvds</a>	Packaging	<a href="http://www.national.com/packaging">www.national.com/packaging</a>
Power Management	<a href="http://www.national.com/power">www.national.com/power</a>	Green Compliance	<a href="http://www.national.com/quality/green">www.national.com/quality/green</a>
Switching Regulators	<a href="http://www.national.com/switchers">www.national.com/switchers</a>	Distributors	<a href="http://www.national.com/contacts">www.national.com/contacts</a>
LDOs	<a href="http://www.national.com/ldo">www.national.com/ldo</a>	Quality and Reliability	<a href="http://www.national.com/quality">www.national.com/quality</a>
LED Lighting	<a href="http://www.national.com/led">www.national.com/led</a>	Feedback/Support	<a href="http://www.national.com/feedback">www.national.com/feedback</a>
Voltage Reference	<a href="http://www.national.com/vref">www.national.com/vref</a>	Design Made Easy	<a href="http://www.national.com/easy">www.national.com/easy</a>
PowerWise® Solutions	<a href="http://www.national.com/powerwise">www.national.com/powerwise</a>	Solutions	<a href="http://www.national.com/solutions">www.national.com/solutions</a>
Serial Digital Interface (SDI)	<a href="http://www.national.com/sdi">www.national.com/sdi</a>	Mil/Aero	<a href="http://www.national.com/milaero">www.national.com/milaero</a>
Temperature Sensors	<a href="http://www.national.com/tempsensors">www.national.com/tempsensors</a>	Solar Magic®	<a href="http://www.national.com/solarmagic">www.national.com/solarmagic</a>
Wireless (PLL/VCO)	<a href="http://www.national.com/wireless">www.national.com/wireless</a>	Analog University®	<a href="http://www.national.com/AU">www.national.com/AU</a>

THE CONTENTS OF THIS DOCUMENT ARE PROVIDED IN CONNECTION WITH NATIONAL SEMICONDUCTOR CORPORATION ("NATIONAL") PRODUCTS. NATIONAL MAKES NO REPRESENTATIONS OR WARRANTIES WITH RESPECT TO THE ACCURACY OR COMPLETENESS OF THE CONTENTS OF THIS PUBLICATION AND RESERVES THE RIGHT TO MAKE CHANGES TO SPECIFICATIONS AND PRODUCT DESCRIPTIONS AT ANY TIME WITHOUT NOTICE. NO LICENSE, WHETHER EXPRESS, IMPLIED, ARISING BY ESTOPPEL OR OTHERWISE, TO ANY INTELLECTUAL PROPERTY RIGHTS IS GRANTED BY THIS DOCUMENT.

TESTING AND OTHER QUALITY CONTROLS ARE USED TO THE EXTENT NATIONAL DEEMS NECESSARY TO SUPPORT NATIONAL'S PRODUCT WARRANTY. EXCEPT WHERE MANDATED BY GOVERNMENT REQUIREMENTS, TESTING OF ALL PARAMETERS OF EACH PRODUCT IS NOT NECESSARILY PERFORMED. NATIONAL ASSUMES NO LIABILITY FOR APPLICATIONS ASSISTANCE OR BUYER PRODUCT DESIGN. BUYERS ARE RESPONSIBLE FOR THEIR PRODUCTS AND APPLICATIONS USING NATIONAL COMPONENTS. PRIOR TO USING OR DISTRIBUTING ANY PRODUCTS THAT INCLUDE NATIONAL COMPONENTS, BUYERS SHOULD PROVIDE ADEQUATE DESIGN, TESTING AND OPERATING SAFEGUARDS.

EXCEPT AS PROVIDED IN NATIONAL'S TERMS AND CONDITIONS OF SALE FOR SUCH PRODUCTS, NATIONAL ASSUMES NO LIABILITY WHATSOEVER, AND NATIONAL DISCLAIMS ANY EXPRESS OR IMPLIED WARRANTY RELATING TO THE SALE AND/OR USE OF NATIONAL PRODUCTS INCLUDING LIABILITY OR WARRANTIES RELATING TO FITNESS FOR A PARTICULAR PURPOSE, MERCHANTABILITY, OR INFRINGEMENT OF ANY PATENT, COPYRIGHT OR OTHER INTELLECTUAL PROPERTY RIGHT.

### LIFE SUPPORT POLICY

**NATIONAL'S PRODUCTS ARE NOT AUTHORIZED FOR USE AS CRITICAL COMPONENTS IN LIFE SUPPORT DEVICES OR SYSTEMS WITHOUT THE EXPRESS PRIOR WRITTEN APPROVAL OF THE CHIEF EXECUTIVE OFFICER AND GENERAL COUNSEL OF NATIONAL SEMICONDUCTOR CORPORATION.** As used herein:

Life support devices or systems are devices which (a) are intended for surgical implant into the body, or (b) support or sustain life and whose failure to perform when properly used in accordance with instructions for use provided in the labeling can be reasonably expected to result in a significant injury to the user. A critical component is any component in a life support device or system whose failure to perform can be reasonably expected to cause the failure of the life support device or system or to affect its safety or effectiveness.

National Semiconductor and the National Semiconductor logo are registered trademarks of National Semiconductor Corporation. All other brand or product names may be trademarks or registered trademarks of their respective holders.

Copyright© 2009 National Semiconductor Corporation

For the most current product information visit us at [www.national.com](http://www.national.com)



**National Semiconductor  
Americas Technical  
Support Center**  
Email: [support@nsc.com](mailto:support@nsc.com)  
Tel: 1-800-272-9959

**National Semiconductor Europe  
Technical Support Center**  
Email: [europe.support@nsc.com](mailto:europe.support@nsc.com)  
German Tel: +49 (0) 180 5010 771  
English Tel: +44 (0) 870 850 4288

**National Semiconductor Asia  
Pacific Technical Support Center**  
Email: [ap.support@nsc.com](mailto:ap.support@nsc.com)

**National Semiconductor Japan  
Technical Support Center**  
Email: [jpn.feedback@nsc.com](mailto:jpn.feedback@nsc.com)

## IMPORTANT NOTICE

Texas Instruments Incorporated and its subsidiaries (TI) reserve the right to make corrections, modifications, enhancements, improvements, and other changes to its products and services at any time and to discontinue any product or service without notice. Customers should obtain the latest relevant information before placing orders and should verify that such information is current and complete. All products are sold subject to TI's terms and conditions of sale supplied at the time of order acknowledgment.

TI warrants performance of its hardware products to the specifications applicable at the time of sale in accordance with TI's standard warranty. Testing and other quality control techniques are used to the extent TI deems necessary to support this warranty. Except where mandated by government requirements, testing of all parameters of each product is not necessarily performed.

TI assumes no liability for applications assistance or customer product design. Customers are responsible for their products and applications using TI components. To minimize the risks associated with customer products and applications, customers should provide adequate design and operating safeguards.

TI does not warrant or represent that any license, either express or implied, is granted under any TI patent right, copyright, mask work right, or other TI intellectual property right relating to any combination, machine, or process in which TI products or services are used. Information published by TI regarding third-party products or services does not constitute a license from TI to use such products or services or a warranty or endorsement thereof. Use of such information may require a license from a third party under the patents or other intellectual property of the third party, or a license from TI under the patents or other intellectual property of TI.

Reproduction of TI information in TI data books or data sheets is permissible only if reproduction is without alteration and is accompanied by all associated warranties, conditions, limitations, and notices. Reproduction of this information with alteration is an unfair and deceptive business practice. TI is not responsible or liable for such altered documentation. Information of third parties may be subject to additional restrictions.

Resale of TI products or services with statements different from or beyond the parameters stated by TI for that product or service voids all express and any implied warranties for the associated TI product or service and is an unfair and deceptive business practice. TI is not responsible or liable for any such statements.

TI products are not authorized for use in safety-critical applications (such as life support) where a failure of the TI product would reasonably be expected to cause severe personal injury or death, unless officers of the parties have executed an agreement specifically governing such use. Buyers represent that they have all necessary expertise in the safety and regulatory ramifications of their applications, and acknowledge and agree that they are solely responsible for all legal, regulatory and safety-related requirements concerning their products and any use of TI products in such safety-critical applications, notwithstanding any applications-related information or support that may be provided by TI. Further, Buyers must fully indemnify TI and its representatives against any damages arising out of the use of TI products in such safety-critical applications.

TI products are neither designed nor intended for use in military/aerospace applications or environments unless the TI products are specifically designated by TI as military-grade or "enhanced plastic." Only products designated by TI as military-grade meet military specifications. Buyers acknowledge and agree that any such use of TI products which TI has not designated as military-grade is solely at the Buyer's risk, and that they are solely responsible for compliance with all legal and regulatory requirements in connection with such use.

TI products are neither designed nor intended for use in automotive applications or environments unless the specific TI products are designated by TI as compliant with ISO/TS 16949 requirements. Buyers acknowledge and agree that, if they use any non-designated products in automotive applications, TI will not be responsible for any failure to meet such requirements.

Following are URLs where you can obtain information on other Texas Instruments products and application solutions:

### Products

Audio	<a href="http://www.ti.com/audio">www.ti.com/audio</a>
Amplifiers	<a href="http://amplifier.ti.com">amplifier.ti.com</a>
Data Converters	<a href="http://dataconverter.ti.com">dataconverter.ti.com</a>
DLP® Products	<a href="http://www.dlp.com">www.dlp.com</a>
DSP	<a href="http://dsp.ti.com">dsp.ti.com</a>
Clocks and Timers	<a href="http://www.ti.com/clocks">www.ti.com/clocks</a>
Interface	<a href="http://interface.ti.com">interface.ti.com</a>
Logic	<a href="http://logic.ti.com">logic.ti.com</a>
Power Mgmt	<a href="http://power.ti.com">power.ti.com</a>
Microcontrollers	<a href="http://microcontroller.ti.com">microcontroller.ti.com</a>
RFID	<a href="http://www.ti-rfid.com">www.ti-rfid.com</a>
OMAP Mobile Processors	<a href="http://www.ti.com/omap">www.ti.com/omap</a>
Wireless Connectivity	<a href="http://www.ti.com/wirelessconnectivity">www.ti.com/wirelessconnectivity</a>

### Applications

Communications and Telecom	<a href="http://www.ti.com/communications">www.ti.com/communications</a>
Computers and Peripherals	<a href="http://www.ti.com/computers">www.ti.com/computers</a>
Consumer Electronics	<a href="http://www.ti.com/consumer-apps">www.ti.com/consumer-apps</a>
Energy and Lighting	<a href="http://www.ti.com/energy">www.ti.com/energy</a>
Industrial	<a href="http://www.ti.com/industrial">www.ti.com/industrial</a>
Medical	<a href="http://www.ti.com/medical">www.ti.com/medical</a>
Security	<a href="http://www.ti.com/security">www.ti.com/security</a>
Space, Avionics and Defense	<a href="http://www.ti.com/space-avionics-defense">www.ti.com/space-avionics-defense</a>
Transportation and Automotive	<a href="http://www.ti.com/automotive">www.ti.com/automotive</a>
Video and Imaging	<a href="http://www.ti.com/video">www.ti.com/video</a>

TI E2E Community Home Page

[e2e.ti.com](http://e2e.ti.com)

Mailing Address: Texas Instruments, Post Office Box 655303, Dallas, Texas 75265  
Copyright © 2011, Texas Instruments Incorporated