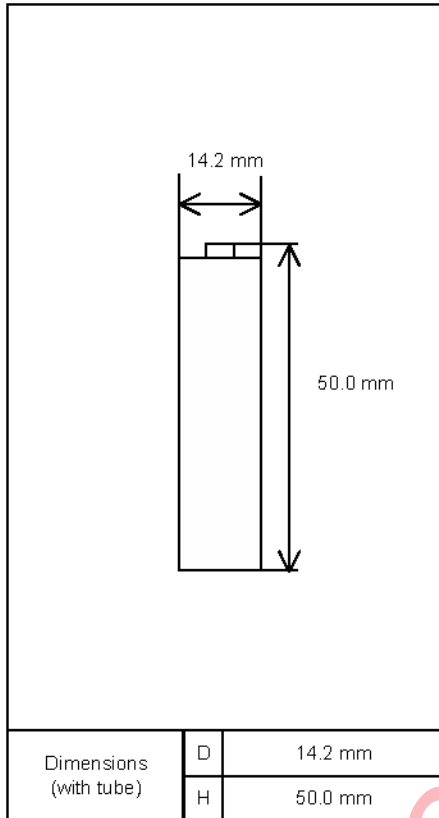


## Specifications

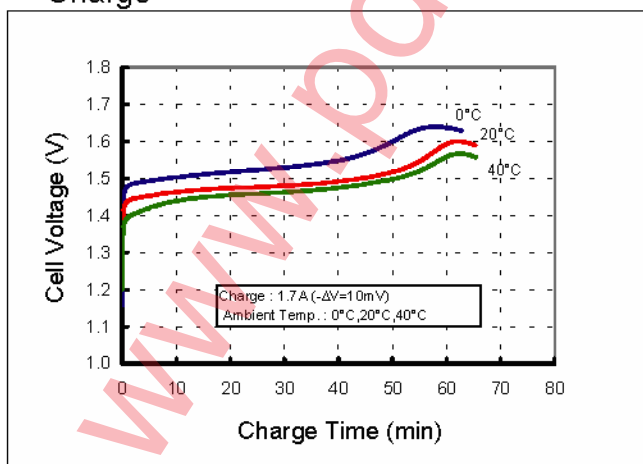


Type : Nickel-Metal Hydride Battery		Size : AA Consumer Type	
Capacity $\triangleright$	Typical	1700mAh	
	Minimum	1600mAh	
Nominal Voltage		1.2V	
Charging Current $\times$ Time		Fast Charge $\triangleright$	1700 mA $\times$ about 1.1h
Ambient Temp.	Charge Condition	Fast Charge $\triangleright$	0°C - 40°C
	Discharge Condition		0°C - 50°C
	Storage Condition	Less than 30days	-20°C - 50°C
Less than 90days		-20°C - 40°C	
Less than 1year		-20°C - 30°C	
Internal Impedance $\triangleright$ (after discharge to E.V.=1.0V)		Approx. 25m $\Omega$ (at 1000Hz)	
Weight $\triangleright$		Approx. 27 g	
Size $\triangleright$ : (Diameter) $\times$ (Height)		14.2(D) $\times$ 50.0(H) mm	

- 1) Single cell capacity under the following condition.  
Charge : 170mA $\times$ 16h, Discharge : 340mA(E.V.=1.0V) at 20°C
- 2) Use recommended charging system.
- 3) After a few charge and discharge cycles under the above 1) condition.
- 4) With tube.

## Typical Characteristics

### Charge



### Discharge

