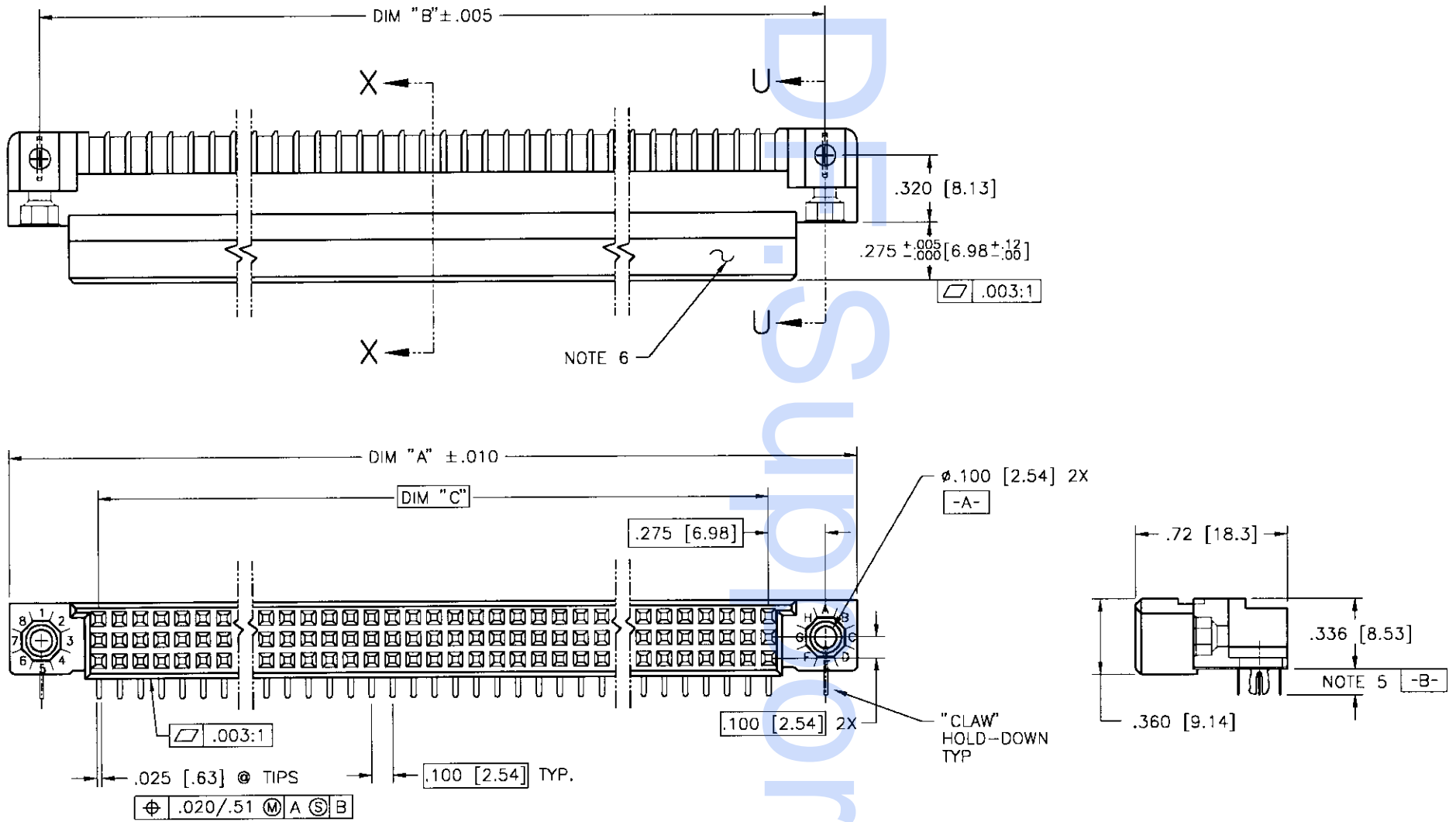


PRODUCT NUMBER
50930-XXXX



REVISIONS			
REV	ECN/DDR#	BY	DATE
A	V50924	SAR	9/21/95
B	V60768	SAR	6/19/96

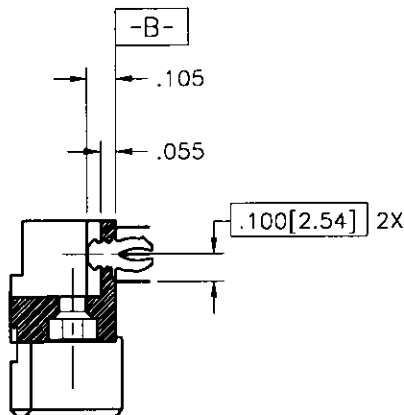
SHEET INDEX	ISSUE	B	B
	SH NO.	1	2
TOLERANCES UNLESS OTHERWISE SPECIFIED			
.005 / .005 / .005 / .13			
.0001 / .0020 / .0001 / .051			
ANGLES			
0 ± 2			

DATE	DR	DATE	DR
MAY	S. ROYER	9/21/95	S. ROYER
JUN	D. HORCHLER	9/21/95	D. HORCHLER
JUL	D. HORCHLER	9/21/95	D. HORCHLER
AUG	D. HORCHLER	9/21/95	D. HORCHLER

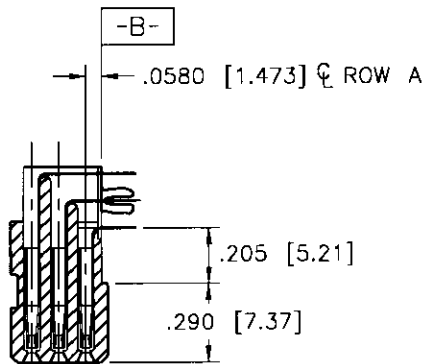
CUSTOMER COPY	THIRD ANGLE PROJ.	UNIT	INCH
		MM	

BERG ELECTRONICS	
TITLE 3 ROW R/A RECEPTACLES	
0 GUIDE PIN - W/CLAW	
SCALE	SIZE
3:1	C
DRG. NO.	50930
SHEET	1 OF 2

PRODUCT NUMBER	DIM.	LENGTH FORMULAS
50930-XXXX	DIM A	.100/2.54 X NO. OF COLUMNS + .75/19.1
	DIM B	.100/2.54 X NO. OF COLUMNS + .450/11.43
	DIM C	.100/2.54 X NO. OF COLUMNS - .100/2.54



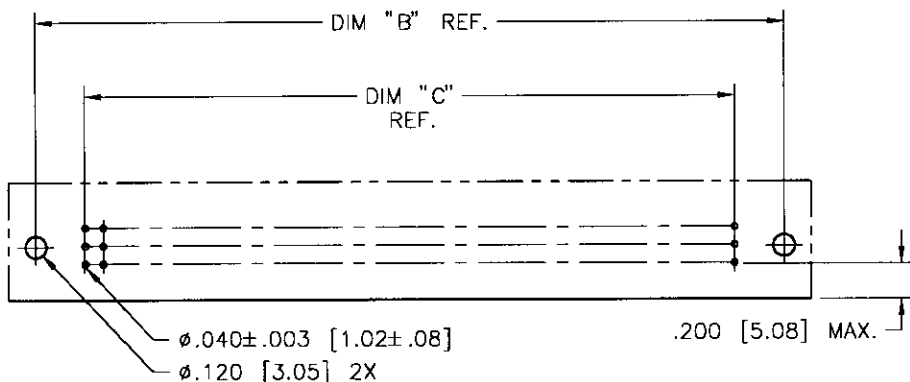
SECTION U-U



SECTION X-X

NOTES:

- PRODUCT NUMBERING CODE:
 50930 - X XXX X
 TAIL LENGTH(NOTE 5)
 NO. OF POSITIONS(NOTE 2)
 PLATING(NOTE 4)
 BASE NUMBER
- THIS PRODUCT IS CONFIGURED IN SIZES OF 6 THRU 80 COLUMNS IN INCREMENTS OF ONE. i.e.: 6,7,8,9.....79,80.
- HOUSING MATERIAL: GLASS FILLED PPS. CONTACT MATERIAL: BeCu
- PLATING CONTACT AREA OPTIONS:
 1 = 30u"/.76u GOLD
 3 = 50u"/1.27u GOLD
 5 = 30u"/.76u GXT
 ALL SOLDER TAILS TIN/LEAD
- TAIL LENGTH OPTIONS:
 E = .125±.010 / 3.18±.25
 F = .145±.010 / 3.68±.25
 H = .180±.010 / 4.57±.25
- "BERG" NAME, PART NUMBER AND LOT CODE TO APPEAR ON THIS SURFACE PER BUS-12-108.
- FOR DOCUMENTATION MENU, SEE BERG SPECIFICATION BUS-01-057.



RECOMMENDED PCB LAYOUT
 (ALL HOLES LOCATED ON .100 [2.54] GRID UNLESS OTHERWISE SPECIFIED)

REVISIONS				SHEET INDEX	ISSUE SH NO.	B							
REV	ECN/DDR#	BY	DATE				DATE	DR	DATE	CUSTOMER COPY			
B					2								
				TOLERANCES UNLESS OTHERWISE SPECIFIED		NOTE 3		S. ROYER 9/21/95		CUSTOMER COPY		TITLE 3 ROW R/A RECEPTACLES 0 GUIDE PINS - W/CLAW	
				.001 .01 / .02 .3		FINISH -		ENGR D. HORCHLER 9/21/95		THIRD ANGLE PROJ		SCALE SIZE DRWG. NO. SHEET	
				LINEAR .0001 .005 / .001 .13		PRODUCT FAMILY HPC		CHK D. HORCHLER 9/21/95		UNIT INCH MM		3:1 C 50930 2 of 2	
				ANGLES 0± Z		APPR D. HORCHLER 9/21/95							

BERG
ELECTRONICS