

Features

Wide input voltage ranges up to 60 VDC
1, 2, or 3 outputs up to 48 VDC
Class I equipment

- Wide input voltage range suitable for battery operation
- Efficient input filter and built-in surge and transient suppression circuitry
- Outputs individually isolated
- Outputs fully protected against overload

Safety according to IEC/EN 60950



Description

The H series of DC-DC converters represents a broad and flexible range of cassette power supplies for use in advanced electronic systems. Features include high efficiency, reliability, and reasonable output voltage noise.

The converter inputs are protected against surges and transients occurring at the source lines. Input over- and undervoltage cut-out circuitry disables the outputs if the input voltage is outside the specified range.

All outputs are open- and short-circuit proof and are protected against overvoltages by means of built-in suppressor diodes. The outputs can be inhibited by a logic signal applied to the connector pin 2 (i). If the inhibit function is not used, pin 2 should be connected to pin 23 to enable the outputs.

LED indicators display the status of the converter and allow visual monitoring of the system at any time.

Full input-to-output, input-to-case, output-to-case, and output-to-output isolation is provided. The converters are designed and built according to the international safety standard IEC/EN 60950 and have been approved by the

safety agencies TÜV and UL (USA and Canada).

The case design allows operation at nominal load up to 50 °C in a free air ambient temperature. If forced cooling is provided, the ambient temperature may exceed 50 °C, but the case temperature should remain below 80 °C under all conditions.

A temperature sensor generates an inhibit signal which disables the outputs if the case temperature T_C exceeds the limit. The outputs are automatically re-enabled when the temperature drops below the limit.

Various options are available to adapt the converters to individual applications.

The converters may either be plugged into 19-inch rack systems according to DIN 41494, or be chassis mounted.

Table of Contents

	Page		Page
Description	1	Electromagnetic Compatibility (EMC)	10
Model Selection	2	Mechanical Data	11
Part Number Description and Product Marking	2	Immunity to Environmental Conditions	12
Functional Description	3	Safety and Installation Instructions	12
Electrical Input Data	4	Description of Options	15
Electrical Output Data	5	Accessories	19
Auxiliary Functions	8		

Model Selection

Table 1: Model types

Output 1		Output 2		Output 3		Input Voltage Range and Efficiency ¹						Option
V _{o nom} [VDC]	I _{o nom} [A]	V _{o nom} [VDC]	I _{o nom} [A]	V _{o nom} [VDC]	I _{o nom} [A]	V _{i min} to V _{i max} 8 to 15 VDC ²	η _{min} [%]	V _{i min} to V _{i max} 14 to 30 VDC ²	η _{min} [%]	V _{i min} to V _{i max} 28 to 60VDC ²	η _{min} [%]	
5.1	8.0	-	-	-	-	12H1001-2R	73	24H1001-2R	75	48H1001-2R	76	V2, V3 D1 to D8 -7
12.0	4.0	-	-	-	-	12H1301-2R	79	24H1301-2R	82	48H1301-2R	82	
15.0	3.4	-	-	-	-	12H1501-2R	80	24H1501-2R	82	48H1501-2R	83	
24.0	2.0	-	-	-	-	12H1601-2R	81	24H1601-2R	83	48H1601-2R	85	
48.0	1.0	-	-	-	-	12H1901-2R ²	83	24H1901-2R ²	85	48H1901-2R ²	86	
12.0	2.0	12.0	2.0	-	-	12H2320-2	79	24H2320-2	80	48H2320-2	82	
15.0	1.7	15.0	1.7	-	-	12H2540-2	80	24H2540-2	81	48H2540-2	83	
5.1	5.0	12.0	0.7	12.0	0.7	12H3020-2	77	24H3020-2	78	48H3020-2	79	
5.1	5.0	15.0	0.6	15.0	0.6	12H3040-2	77	24H3040-2	79	48H3040-2	80	

¹ Efficiency measured at V_{i nom} and I_{o nom}

² Input voltage range 12H1901-2R: 9 to 15 VDC, 24H1901-2R: 18 to 30 VDC, 48H1901-2R: 36 to 60 VDC

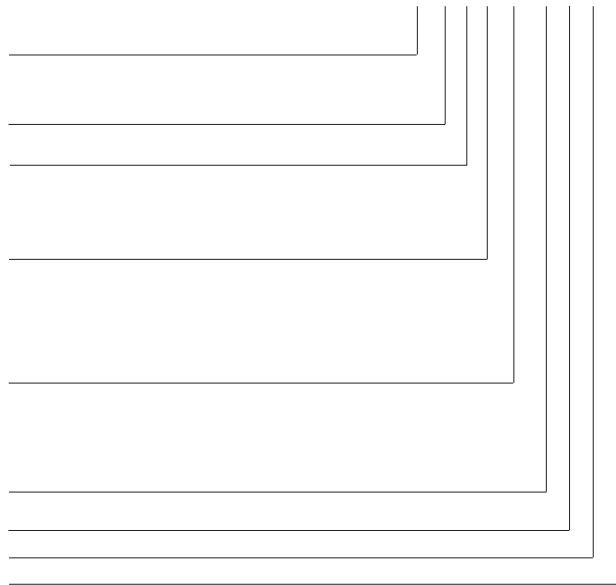
Model numbers highlighted in yellow or shaded are not recommended for new designs.

Part Number Description and Product Marking

Type Key

- Input voltage range V_i:
 - 8 to 15 VDC 12
 - 14 to 30 VDC 24
 - 28 to 60 VDC 48
- Series H
- Number of outputs 1 to 3
- Output 1, V_{o1 nom}:
 - 5.1 V 0
 - 12 V 3
 - 15 V 5
 - 24 V 6
 - 48 V 9
- Single output modules 01
- Output 2 and 3, V_{o2 nom}, V_{o3 nom}:
 - 12 V 20
 - 15 V 40
- Options and features:
 - Ambient temperature range T_A -10 to 50 °C -2
 - Extended temperature range T_A -25 to 71 °C -7
 - Output voltage control input (single output modules only) R
 - Save data signal (D1 to D8, to be specified) D ¹
 - ACFAIL signal (V2, V3, to be specified) V ¹

48 H 2 5 40 -2 R D V



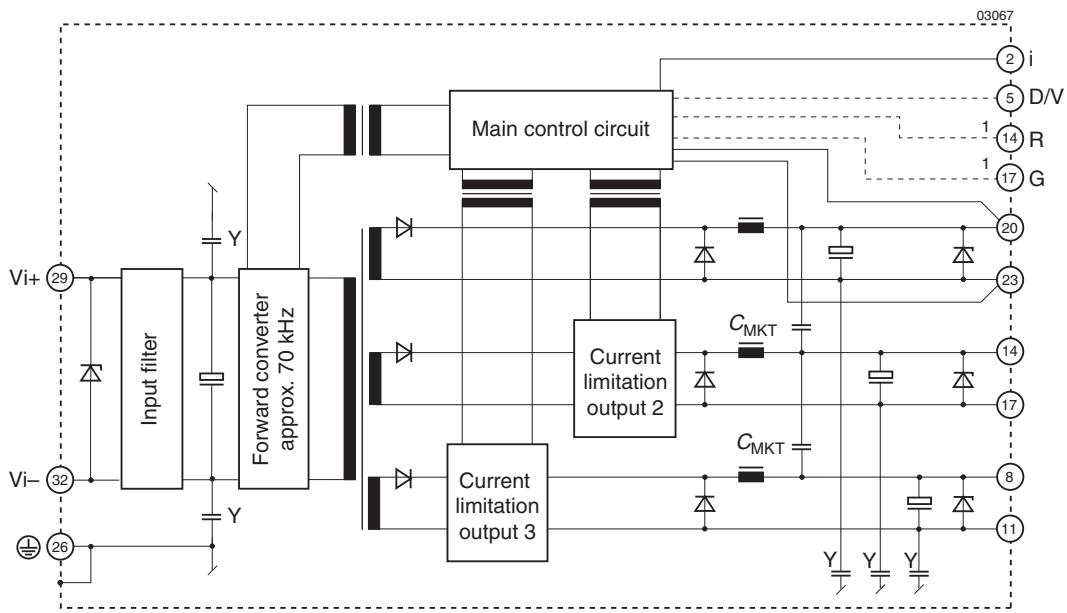
¹ Option D excludes option V and vice versa

Example: 48H1501-2RD3: DC-DC converter, input voltage range 28 to 60 V, providing output with 15 V/3.4 A; equipped with an output voltage control input and undervoltage monitoring.

Functional Description

The input voltage is fed via an input filter to the input capacitor. This capacitor sources a single-transistor forward converter. Each output is powered by a separate secondary winding of the main transformer. The resultant voltages are rectified and their ripples smoothed by a power choke. The control logic senses the main output voltage V_{o1} and generates, with respect to the maximum admissible output currents, the control signal for the primary switching

transistor. This signal is fed back via a coupling transformer. The auxiliary outputs V_{o2} and V_{o3} are unregulated. Each auxiliary output's current is sensed and transferred to the main control circuit using a current transformer. If one of the outputs is driven into current limit, the other outputs will reduce their output voltages as well because all output currents are controlled by the same control circuit.



¹ Single output modules H1000 (R input)

Fig. 1
DC-DC converter block diagram

Electrical Input Data

General conditions:

- $T_A = 25\text{ °C}$, unless T_C is specified.
- Connector pins 2 and 23 interconnected, R input not connected.

Table 2: Input data

Input			12H			24H			48H			Unit
Characteristics	Conditions		min	typ	max	min	typ	max	min	typ	max	
V_i	Operating input voltage ..H1901-2R	$I_o = 0$ to $I_{o,nom}$ T_C min to T_C max	8		15	14		30	28		60	VDC
			9		15	18		30	36		60	
$V_{i,nom}$	Nominal input voltage		12			24			48			
I_i	Input current	$V_{i,nom}, I_{o,nom}^1$	5.0			2.5			1.3			A
P_{i0}	No-load input power: Single output Double output Triple output	$V_{i,nom}$ $I_{o1,2,3} = 0$	1	1.5		1	1.5		1	1.5		W
			4	6		4	6		4	6		
			4	6		4	6		4	6		
$P_{i,inh}$	Idle input power	inhibit mode	2			2			2			
$I_{inr,p}^3$	Peak inrush current	$V_i = V_{i,max}$ $R_S = 0\ \Omega^2$ $T_C = 25\text{ °C}$	380			380			350			A
$t_{inr,r}$	Rise time		60			50			20			μs
$t_{inr,h}$	Time to half value		110			75			40			
R_i	Input resistance	$T_C = 25\text{ °C}$	40			80			175			m Ω
C_i	Input capacitance		2200		3300	750		1200	190		300	μF
$U_{i,abs}$	Input voltage limits without any damage		0		20	0		40	0		80	VDC

¹ With multiple output modules, the same condition for each output applies.

² R_S = source resistance

³ $I_{inr,p} = V_i / (R_S + R_i)$

Input Under-/Overvoltage Lockout

If the input voltage remains below $0.8 V_{i,min}$ or exceeds $1.1 V_{i,max}$ (approx. values), an internally generated inhibit signal disables the output(s). When checking this function the absolute maximum input voltage rating $V_{i,abs}$ must be carefully considered (see table: *Electrical Input Data*). Between $V_{i,min}$ and the undervoltage lockout level the output voltage may be below the value defined in table: *Output data* (see: *Technical Information: Measuring and Testing*).

Reverse Polarity

The converter is not protected against reverse polarity at the input. (Reverse polarity will cause the external fuse to blow.)

Input Fuse

The converters do not incorporate any fuse. External fuses installed in the wiring to the inputs are essential.

Table 3: Recommended fuse types

Series	Schurter type			Part number
12H	SPT	10 A	250 V	0001.2514
24H	SPT	8 A	250 V	0001.2513
48H	SPT	3.15 A	250 V	0001.2509

Electrical Output Data

General conditions

- $T_A = 25\text{ }^\circ\text{C}$, unless T_C is specified.
- Connector pins 2 and 23 interconnected, R input not connected.

Table 4a: Output data

Output		5.1 V			12 V			15 V			Unit	
Characteristics		min	typ	max	min	typ	max	min	typ	max		
V_{O1}	Output voltage	$V_{i\text{ nom}}, I_{o\text{ nom}}^1$			5.00		5.20	11.76	12.24	14.70	15.30	V
$V_{O2/3}$					-			11.10	12.90	13.90	16.10	
$V_{O2/3\ 0}$		$V_{i\text{ min}} \text{ to } V_{i\text{ max}}$ $I_{O2/3} = 0$			-				13.80		17.25	
$V_{O1\ P}$	Output overvoltage protection				7.5			21		25		
$V_{O2/3\ P}$					-			25		31		
$I_{o\text{ nom}}$	Output current	$V_{i\text{ min}} \text{ to } V_{i\text{ max}}$ $T_{C\text{ min}} \text{ to } T_{C\text{ max}}$			see: Type Survey and Key Data							
$I_{o\ L}$	Output current limitation response	$V_{i\text{ min}} \text{ to } V_{i\text{ max}}$ $T_{C\text{ min}} \text{ to } T_{C\text{ max}}$			see fig.: Typical output voltage V_{O1} versus output currents I_o							
$V_{O1/2/3}$	Output voltage noise	Switch. freq.	$V_{i\text{ nom}}, I_{o\text{ nom}}^1$			30	50	60	100	50	80	mV _{pp}
		Total	IEC/EN 61204 BW = 20 MHz			60	200	70	200	75	200	
$\Delta V_{O1\ U}$	Static line regulation	$V_{i\text{ min}} \text{ to } V_{i\text{ nom}}$						± 100			mV	
$\Delta V_{O2/3\ U}$		$V_{i\text{ nom}} \text{ to } V_{i\text{ max}}$ $I_{o\text{ nom}}^1$			-			± 150				
$\Delta V_{O1\ I}$	Static load regulation	$V_{i\text{ nom}}$			50			150			150	
$\Delta V_{O2/3\ I}$		$I_o = I_{o\text{ nom}} \text{ to } 0^2$			-			see: H2320/H3020 = $\Delta V_{O2/3}$ vers. $I_{o2/3}$			see: H2540/H3040 = $\Delta V_{O2/3}$ vers. $I_{o2/3}$	
$\Delta V_{O1\ Ic}$	Static cross load regulation ³	$V_{i\text{ nom}}$			± 5	± 15		± 10	± 30	± 15	± 45	
$\Delta V_{O2/3\ Ic}$		$I_o = I_{o\text{ nom}} \text{ to } 0^4$			-			see: H2320/H3020 = $\Delta V_{O2/3}$ vers. $I_{o2/3}$			see: H2540/H3040 = $\Delta V_{O2/3}$ vers. $I_{o2/3}$	

Table 4b: Output data

Output		24 V			48 V			Unit			
Characteristics		min	typ	max	min	typ	max				
V_{O1}	Output voltage	$V_{i\text{ nom}}, I_{O1\text{ nom}}$			23.52		24.48	47.04	48.96	V	
$V_{O\ P}$	Overvoltage prot.				41			85			
$I_{O1\text{ nom}}$	Output current	$V_{i\text{ min}} \text{ to } V_{i\text{ max}}$ $T_{C\text{ min}} \text{ to } T_{C\text{ max}}$			see: Type Survey and Key Data						
$I_{O1\ L}$	Output current limitation response	$V_{i\text{ min}} \text{ to } V_{i\text{ max}}$ $T_{C\text{ min}} \text{ to } T_{C\text{ max}}$			see: Typical output voltage V_{O1} versus output currents I_o						
$V_{O1/2/3}$	Output voltage noise	Switch. freq.	$V_{i\text{ nom}}, I_{o\text{ nom}}^1$			30	50	20	40	mV _{pp}	
		Total	IEC/EN 61204 BW = 20 MHz			75	200	35	150		
$\Delta V_{O1\ U}$	Static line regulation	$V_{i\text{ min}} \text{ to } V_{i\text{ nom}}$ $V_{i\text{ nom}} \text{ to } V_{i\text{ max}}$ $I_{O1\text{ nom}}$			± 150			± 150			mV
$\Delta V_{O1\ I}$	Static load regulation	$V_{i\text{ nom}}$			150			150			
		$I_{O1} = I_{O1\text{ nom}} \text{ to } 0$									

¹ With multiple-output models, the same condition for each output applies.

² Condition for specified output. With multiple output models, other output(s) loaded with constant current $I_o = I_{o\text{ nom}}$.

³ Condition for non-specified output, individually tested, other output(s) loaded with constant current $I_o = I_{o\text{ nom}}$.

⁴ Multiple-output models.

Output Protection

Each output is protected against overvoltages which could occur due to a failure of the internal control circuit. Voltage suppressor diodes (which under worst case condition may become a short circuit) provide the required protection. The suppressor diodes are not designed to withstand externally applied overvoltages. Overload at any of the outputs will cause a shut-down of all outputs.

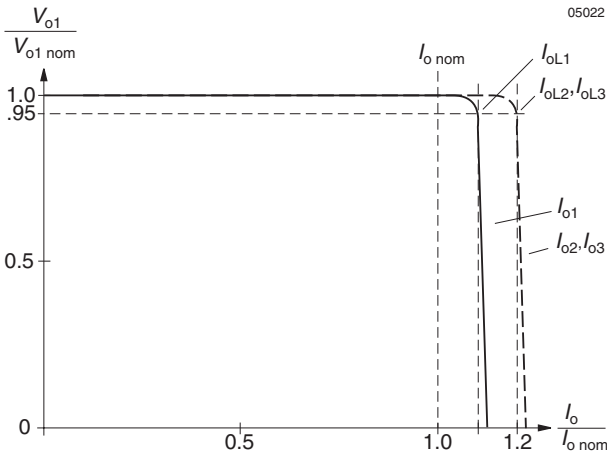


Fig. 2
Typical output voltage V_{o1} versus output currents I_o

Parallel and Series Connection

Main outputs of equal nominal voltage can be connected in parallel. It is important to assure that the main output of a multiple-output converter is forced to supply a minimum current of 0.1 A to enable correct operation of its own auxiliary outputs.

Outputs one and two of a double-output model may be connected in parallel without a minimum current requirement at the main output. Outputs two and three of a triple-output model can be connected in parallel.

In parallel operation, one or more of the main outputs may operate continuously in current limitation which will cause an increase in case temperature. Consequently, a reduction of the maximum ambient temperature by 10 K is recommended.

Main or auxiliary outputs can be connected in series with any other output of the same or another converter. In series connection, the maximum output current is limited by the lowest current limit. Output ripple and regulation values are added. Connection wiring should be kept as short as possible.

If output terminals are connected together in order to establish multi-voltage configurations, e.g. +5.1 V, ±12 V etc. the common ground connecting point should be as close as possible to the connector of the converter to avoid excessive output ripple voltages.

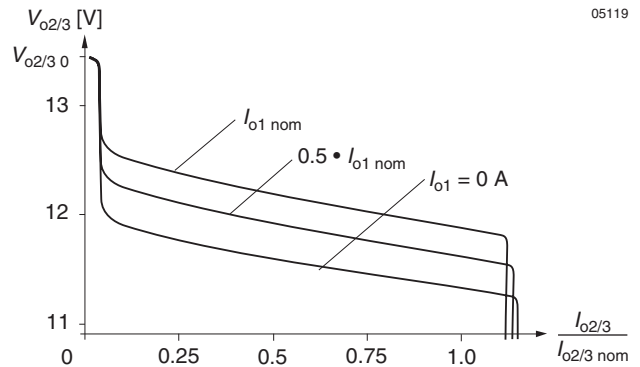


Fig. 3
H2320/H3020: $\Delta V_{o2/3}$ (typ.) versus $I_{o2/3}$ with different I_{o1}

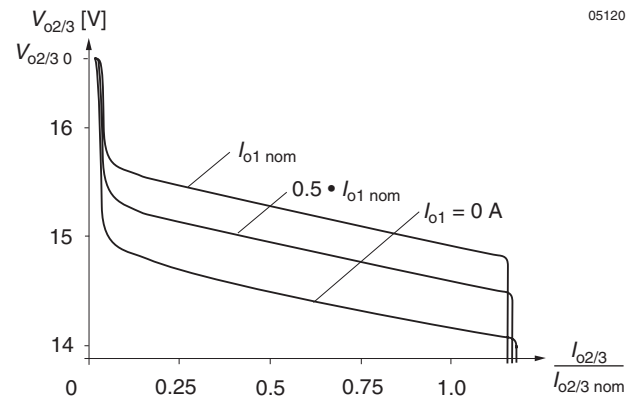


Fig. 4
H2540/H3040: $\Delta V_{o2/3}$ (typ.) versus $I_{o2/3}$ with different I_{o1}

Thermal Considerations

If a converter is located in free, quasi-stationary air (convection cooling) at the indicated maximum ambient temperature $T_{A \max}$ (see table: *Temperature specifications*) and is operated at its nominal input voltage and output power, the temperature measured at the *Measuring point of case temperature* T_C (see: *Mechanical Data*) will approach the indicated value $T_{C \max}$ after the warm-up phase. However, the relationship between T_A and T_C depends heavily on the conditions of operation and integration into a system. The thermal conditions are influenced by input voltage, output current, airflow and temperature of surrounding components and surfaces. $T_{A \max}$ is therefore, contrary to $T_{C \max}$, an indicative value only.

Caution: The installer must ensure that under all operating conditions T_C remains within the limits stated in the table: *Temperature specifications*.

Notes: Sufficient forced cooling or an additional heat sink allows T_A to be higher than 50 °C (e.g. 65 °C) if $T_{C \max}$ is not exceeded.

For -2 units at an ambient temperature T_A of 65 °C with only convection cooling, the maximum permissible current for each output is approx. 50% of its nominal value as per figure.

Output Response

The reaction of the outputs is similar whether the input voltage is applied or the inhibit is switched low.

An output voltage overshoot will not occur when the converter is turned on or off.

Fig. 6
Output response as a function of input voltage (on/off switching) or inhibit control

Table 5: Output response time t_r and t_f

Type of Converter	t_r at $P_o = 0$ and t_f at $P_o = P_{o \text{ nom}}$		t_r and t_f at $P_o = 3/4 P_{o \text{ nom}}$		t_r at $P_o = P_{o \text{ nom}}$		Unit
	typ	max	typ	max	typ	max	
H1001-2R	3	7	3	7	5	15	ms
H1301-2R	5	15	8	20	10	30	
H1501-2R	3	7	5	15	15	40	
H1601-2R	8	20	15	35	20	60	
H1901-2R	35	90	50	140	85	220	
H2320-2	10	30	15	40	25	70	
H2540-2	8	20	10	30	20	50	
H3020-2	30	75	45	120	75	200	
H3040-2	20	60	30	80	50	140	

Conditions: R input not used. For multiple output modules the figures indicated in the table above relate to the output which reacts slowest. All outputs are resistively loaded. Variation of the input voltage within $V_{i \min}$ to $V_{i \max}$ does not influence the values.

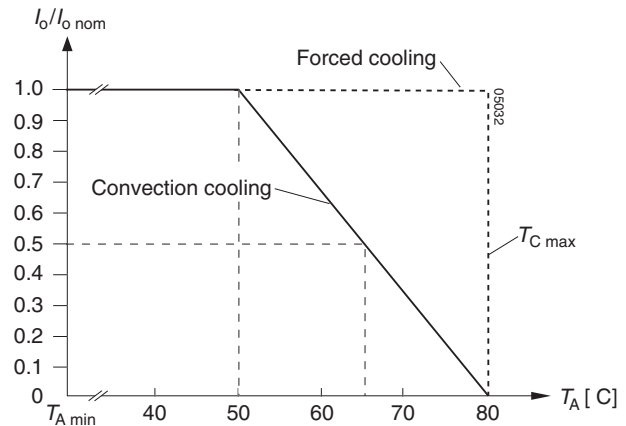
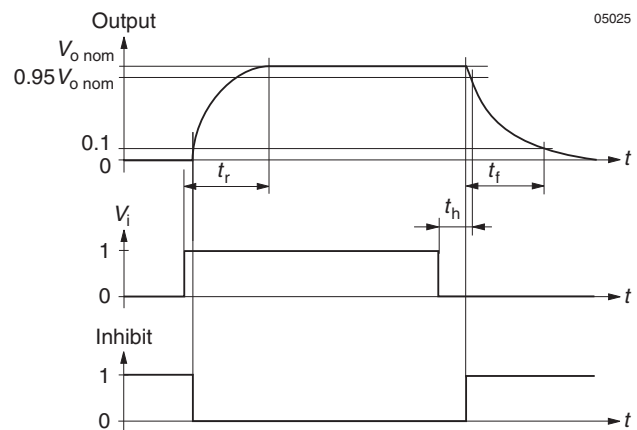


Fig. 5
Output current derating versus temperature for -2 units.

Thermal Protection

A temperature sensor generates an internal inhibit signal which disables the outputs if the case temperature exceeds $T_{C \max}$. The outputs are automatically re-enabled if the temperature drops below this limit.



Auxiliary Functions

i Inhibit for Remote On and Off

Note: With open i input: Output is disabled ($V_o = \text{off}$).

The outputs of the module may be enabled or disabled by means of a logic signal (TTL, CMOS, etc.) applied between the inhibit input i and the negative pin of output 1 (V_{o1-}). In systems with several units, this feature can be used, for example, to control the activation sequence of the converters. If the inhibit function is not required, connect the inhibit pin 2 to pin 23 to enable the outputs (active low logic, fail safe). For output response refer to: *Output Response*.

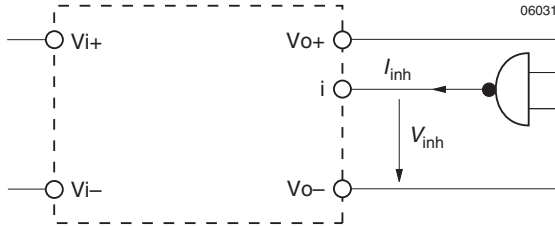


Fig. 7
Definition of V_{inh} and I_{inh} .

Table 6: Inhibit data

Characteristics		Conditions	min	typ	max	Unit
V_{inh}	Inhibit input voltage to keep output voltage	$V_o = \text{on}$	$V_{i \text{ min}}$ to $V_{i \text{ max}}$		0.8	VDC
		$V_o = \text{off}$	$T_{C \text{ min}}$ to $T_{C \text{ max}}$	2.4	50	
I_{inh}	Inhibit current	$V_{inh} = 0$	-60	-100	-220	μA

R-Control for Output Voltage Adjustment

Note: With open R input, $V_o \cong V_{o \text{ nom}}$.

As a standard feature, single-output models offer an adjustable output voltage identified by letter R in the type designation.

The output voltage V_{o1} can either be adjusted with an external voltage (V_{ext}) or with an external resistor (R_1 or R_2). The adjustment range is approximative 0 to 110% of $V_{o \text{ nom}}$. For output voltages $V_o > V_{o \text{ nom}}$, the minimum input voltage according to *Electrical Input Data* increases proportionally to $V_o/V_{o \text{ nom}}$.

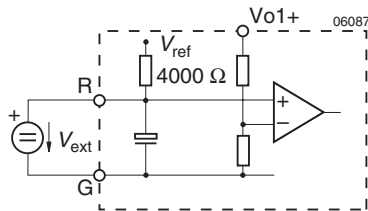


Fig. 9
Voltage adjustment with external voltage V_{ext}

a) $V_o \cong 0$ to 110% $V_{o \text{ nom}}$, using V_{ext} between R (14) and G (17):

$$V_{ext} \cong 2.5 \text{ V} \cdot \frac{V_o}{V_{o \text{ nom}}} \quad V_o \cong V_{o \text{ nom}} \cdot \frac{V_{ext}}{2.5 \text{ V}}$$

Caution: To prevent damage, V_{ext} should not exceed 8 V, nor be negative.

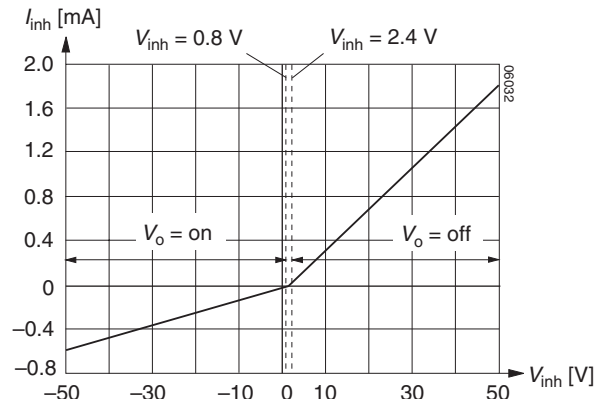


Fig. 8
Typical inhibit current I_{inh} versus inhibit voltage V_{inh}

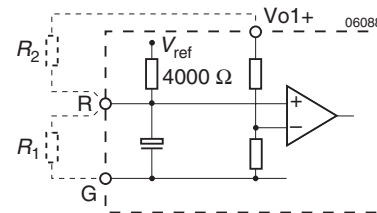


Fig. 10
Voltage adjustment with external resistor R_1 or R_2

b) $V_o \cong 0$ to 100% $V_{o \text{ nom}}$, using R_1 between R (14) and G (17):

$$V_o \cong V_{o \text{ nom}} \cdot \frac{R_1}{R_1 + 4000 \Omega} \quad R_1 \cong \frac{4000 \Omega \cdot V_o}{V_{o \text{ nom}} - V_o}$$

c) $V_o \cong V_{o \text{ nom}}$ to $V_{o \text{ max}}$, using R_2 between R (14) and Vo1+ (20):

$$V_{o \text{ max}} = V_{o \text{ nom}} + 10\% \\ R_2 \cong \frac{4000 \Omega \cdot V_o \cdot (V_{o \text{ nom}} - 2.5 \text{ V})}{2.5 \text{ V} \cdot (V_o - V_{o \text{ nom}})}$$

$$V_o \cong \frac{V_{o \text{ nom}} \cdot 2.5 \text{ V} \cdot R_2}{2.5 \text{ V} \cdot (R_2 + 4000 \Omega) - V_{o \text{ nom}} \cdot 4000 \Omega}$$

Caution: To prevent damage, R_2 should never be less than 47 k Ω .

Note: R inputs of n models with paralleled outputs may be paralleled, too, but if only one external resistor is to be used, its value should be R_1/n , or R_2/n respectively.

Table 7a: R_1 for $V_o < V_{o\text{ nom}}$ (conditions: $V_{i\text{ nom}}$, $I_{o\text{ nom}}$, rounded up to resistor values E 96); $R_2 =$

$V_{o\text{ nom}} = 5.1\text{ V}$		$U_{o\text{ nom}} = 12\text{ V}$		$V_{o\text{ nom}} = 15\text{ V}$		$V_{o\text{ nom}} = 24\text{ V}$		$V_{o\text{ nom}} = 48\text{ V}$	
V_o [V]	R_1 [k Ω]	V_o [V]	R_1 [k Ω]	V_o [V]	R_1 [k Ω]	V_o [V]	R_1 [k Ω]	V_o [V]	R_1 [k Ω]
0.5	0.432	2.0	0.806	2.0	0.619	4.0	0.806	8.0	0.806
1.0	0.976	3.0	1.33	4.0	1.47	6.0	1.33	12.0	1.33
1.5	1.65	4.0	2.0	6.0	2.67	8.0	2.0	16.0	2.0
2.0	2.61	5.0	2.87	8.0	4.53	10.0	2.87	20.0	2.87
2.5	3.83	6.0	4.02	9.0	6.04	12.0	4.02	24.0	4.02
3.0	5.76	7.0	5.62	10.0	8.06	14.0	5.62	28.0	5.62
3.5	8.66	8.0	8.06	11.0	11.0	16.0	8.06	32.0	8.06
4.0	14.7	9.0	12.1	12.0	16.2	18.0	12.1	36.0	12.1
4.5	30.1	10.0	20.0	13.0	26.1	20.0	20.0	40.0	20.0
5.0	200.0	11.0	44.2	14.0	56.2	22.0	44.2	44.0	44.2

Table 7b: R_2 for $V_o > V_{o\text{ nom}}$ (conditions: $V_{i\text{ nom}}$, $I_{o\text{ nom}}$, rounded up to resistor values E 96); $R_1 =$

$V_{o\text{ nom}} = 5.1\text{ V}$		$V_{o\text{ nom}} = 12\text{ V}$		$V_{o\text{ nom}} = 15\text{ V}$		$V_{o\text{ nom}} = 24\text{ V}$		$V_{o\text{ nom}} = 48\text{ V}$	
V_o [V]	R_2 [k Ω]	V_o [V]	R_2 [k Ω]	V_o [V]	R_2 [k Ω]	V_o [V]	R_2 [k Ω]	V_o [V]	R_2 [k Ω]
5.15	464	12.1	1780	15.2	1470	24.25	3160	48.5	6810
5.20	215	12.2	909	15.4	750	24.50	1620	49.0	3480
5.25	147	12.3	619	15.6	511	24.75	1100	49.5	2370
5.30	110	12.4	464	15.8	383	25.00	825	50.0	1780
5.35	90.9	12.5	383	16.0	332	25.25	715	50.5	1470
5.40	78.7	12.6	316	16.2	274	25.50	590	51.0	1270
5.45	68.1	12.7	274	16.4	237	25.75	511	51.5	1100
5.50	61.9	12.8	249	16.5	226	26.00	453	52.0	953
		13.0	200			26.25	402	52.5	845
		13.2	169			26.40	383	52.8	806

Display Status of LEDs

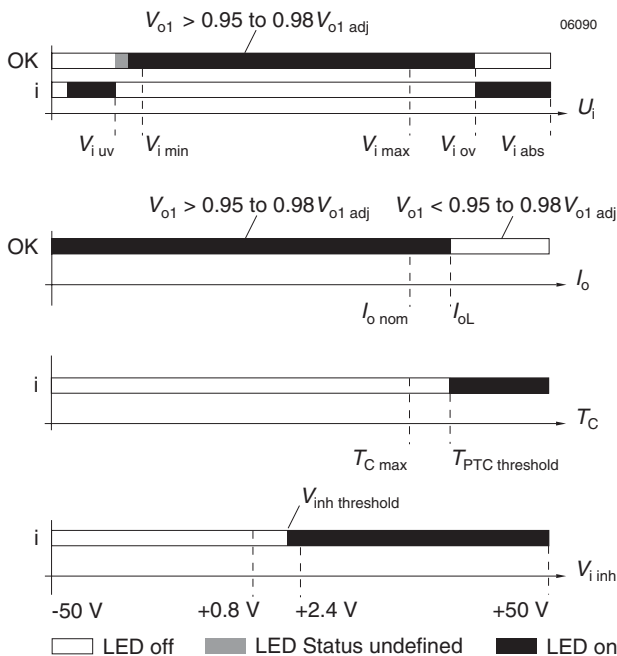


Fig. 11
LEDs "OK" and "i" status versus input voltage
Conditions: $I_o \leq I_{o\text{ nom}}$, $T_c \leq T_{c\text{ max}}$, $V_{i\text{ in}} \leq 0.8\text{ V}$
 $V_{i\text{ uv}}$ = undervoltage lockout, $V_{i\text{ ov}}$ = overvoltage lockout

LED "OK" status versus output current
Conditions: $V_{i\text{ min}}$ to $V_{i\text{ max}}$, $T_c \leq T_{c\text{ max}}$, $V_{i\text{ in}} \leq 0.8\text{ V}$

LED "i" versus case temperature
Conditions: $V_{i\text{ min}}$ to $V_{i\text{ max}}$, $I_o \leq I_{o\text{ nom}}$, $V_{i\text{ in}} \leq 0.8\text{ V}$

LED "i" versus $V_{i\text{ in}}$
Conditions: $V_{i\text{ min}}$ to $V_{i\text{ max}}$, $I_o \leq I_{o\text{ nom}}$, $T_c \leq T_{c\text{ max}}$

Electromagnetic Compatibility (EMC)

A suppressor diode together with an input filter form an effective protection against input transient voltages which typically occur in most installations, but especially in

battery-driven mobile applications. The H series has been successfully tested to the following specifications:

Electromagnetic Immunity

Table 8: Immunity type tests

Phenomenon	Standard ¹	Level	Coupling mode ²	Value applied	Waveform	Source imped.	Test procedure	In oper.	Per-form. ³
Electrostatic discharge (to case)	IEC/EN 61000-4-2	2	contact discharge	4000 V _p	1/50 ns	330 Ω	10 positive and 10 negative discharges	yes	A
Electromagnetic field	IEC/EN 61000-4-3	x	antenna	20 V/m	AM 80% 1 kHz	n.a.	26 to 1000 MHz	yes	A
Electrical fast transient/burst	IEC/EN 61000-4-4	1	direct, i/c, +i/-i	500 V _p	bursts of 5/50 ns 2.5 / 5 kHz over 15 ms; burst period: 300 ms	50 Ω	1 min positive 1 min negative transients per coupling mode	yes	
Surge	IEC/EN 61000-4-5	1	i/c	500 V _p	1.2/50 μs	12 Ω	5 pos. and 5 neg. surges per	yes	A
			+i/-i			2 Ω			

¹ Related and previous standards are referenced in: *Technical Information: Standards*.

² i = input, o = output, c = case.

³ A = Normal operation, no deviation from specifications, B = Normal operation, temporary deviation from specs possible.

Electromagnetic Emissions

Table 9: Emissions at V_{i nom} and I_{o nom}

Series	Standard CISPR 11/EN 55011, 1991 CISPR 22/EN 55022, 1987	
	-30 MHz	•30 MHz
12H	<A	<B
24H	<B	<B
48H	<B	<B

Mechanical Data

Dimensions in mm. Tolerances ± 0.3 mm unless otherwise indicated.

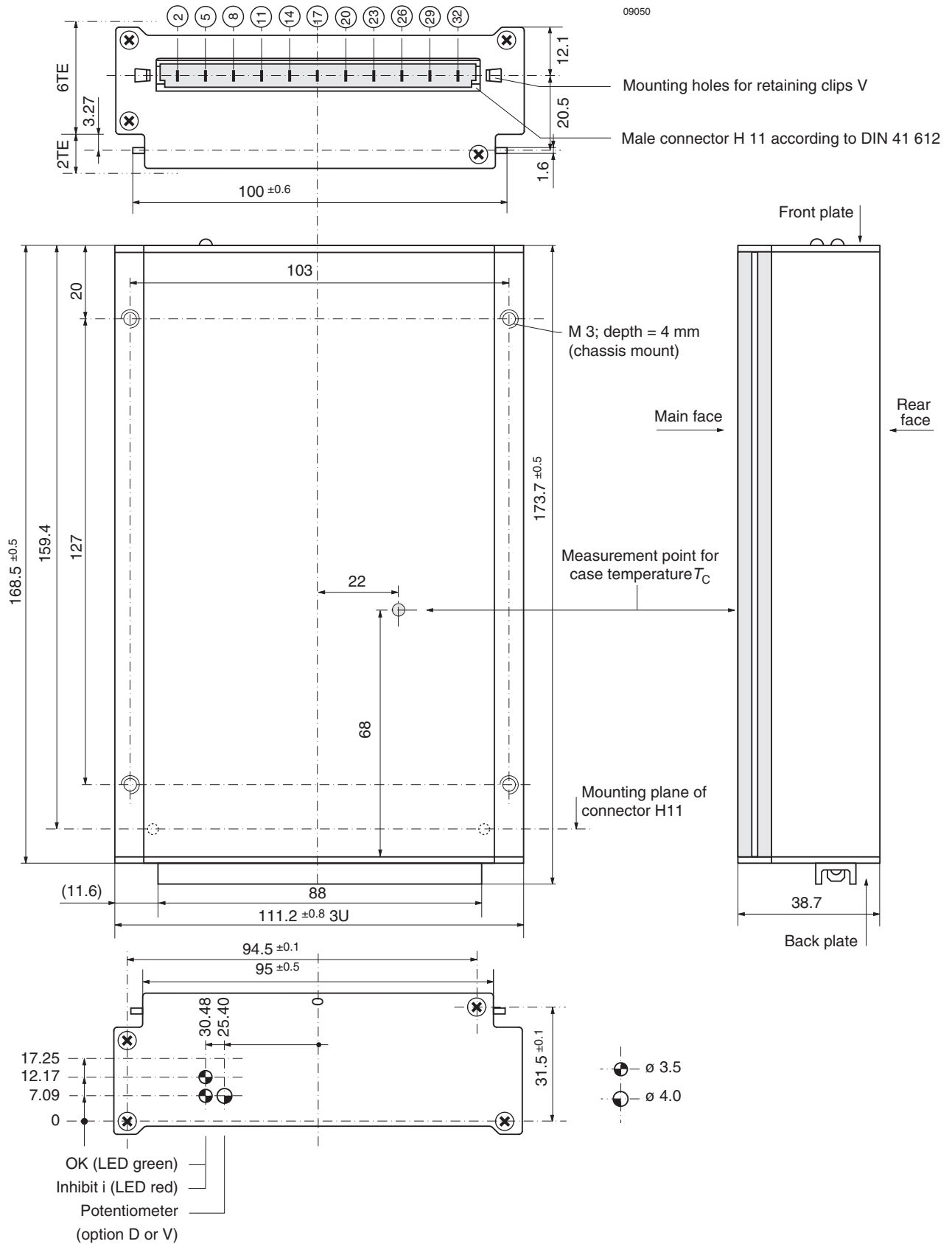


Fig. 12
DC-DC converter in case H02, weight 770 g (approx.)
Case aluminium, black finish and self-cooling.

Immunity to Environmental Conditions

Table 10: Mechanical stress

Test method		Standard	Test conditions	Status
Ca	Damp heat steady state	IEC/DIN IEC 60068-2-3 MIL-STD-810D section 507.2	Temperature: 40 ±2 °C Relative humidity: 93 +2/-3 % Duration: 21 days	Converter not operating
Ea	Shock (half-sinusoidal)	IEC/EN/DIN EN 60068-2-27 MIL-STD-810D section 516.3	Acceleration amplitude: 15 g _n = 147 m/s ² Bump duration: 11 ms Number of bumps: 18 (3 each direction)	Converter operating
Eb	Bump (half-sinusoidal)	IEC/EN/DIN EN 60068-2-29 MIL-STD-810D section 516.3	Acceleration amplitude: 10 g _n = 98 m/s ² Bump duration: 16 ms Number of bumps: 6000 (1000 each direction)	
Fc	Vibration (sinusoidal)	IEC/EN/DIN EN 60068-2-6 MIL-STD-810D section 514.3	Acceleration amplitude: 0.15 mm (10 to 60 Hz) 2 g _n = 20 m/s ² (60 to 150 Hz) Frequency (1 Oct/min): 10 to 150 Hz Test duration: 3.75 h (1.25 h each axis)	

Table 11: Temperature specifications, values given are for an air pressure of 800 to 1200 hPa (800 to 1200 mbar)

Temperature		Standard -2		Option -7		Unit
Characteristics	Conditions	min	max	min	max	
T _A Ambient temperature ¹	Operational ²	-10	50	-25	71	°C
T _C Case temperature ³		-10	80	-25	95	
T _S Storage temperature ¹	Not operational	-25	100	-40	100	

¹ MIL STD 810D section 501.2 and 502.2. ² See: *Thermal considerations*. ³ Overtemperature lockout at T_C >95 °C (PTC).

Table 12: MTBF

Values at specified Case Temperature	Model Types	Ground Benign 40 °C	Unit
MTBF ¹	H1000 H2000 H3000	384'000 306'000 270'000	h

¹ Calculated in accordance with MIL-HDBK-217E (calculation according to edition F would show even better results)

Safety and Installation Instructions

Connector pin Allocation

The connector pin allocation table defines the electrical potentials and the physical pin positions on the H11 connector. Pin no. 26, the protective earth pin present on all 12H to 48H DC-DC converters is leading, ensuring that it makes contact with the female connector first.

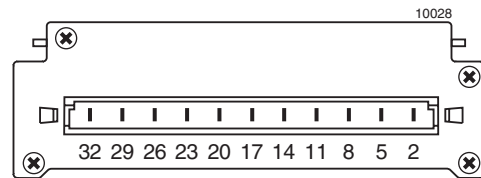


Fig. 13
View of male H11 connector.

Table 13: H11 connector pin allocation and designation

Electrical Determination	H1000		H2000		H3000	
	Pin	Ident	Pin	Ident	Pin	Ident
Inhibit control input Safe Data or ACFAIL	2	i	2	i	2	i
Output voltage (positive) Output voltage (negative)	8 11	Vo1+ Vo1-	8 11		8 11	Vo3+ Vo3-
Control input + Control input -	14 17	R G				
Output voltage (positive) Output voltage (negative)			14 17	Vo2+ Vo2-	14 17	Vo2+ Vo2-
Output voltage (positive) Output voltage (negative)	20 23	Vo1+ Vo1-	20 23	Vo1+ Vo1-	20 23	Vo1+ Vo1-
Protective earthing ¹	26	⊕	26	⊕	26	⊕
DC input voltage DC input voltage	29 32	Vi+ Vi-	29 32	Vi+ Vi-	29 32	Vi+ Vi-

¹ Leading pin (pregrounding)

Installation Instructions

The H series DC-DC converters are components, intended exclusively for inclusion within other equipment by an industrial assembly operation or by professional installers. Installation must strictly follow the national safety regulations in compliance with the enclosure, mounting, creepage, clearance, casualty, markings, and segregation requirements of the end-use application. See also: *Technical Information: Installation and Application*.

Connection to the system shall be made via the female connector H11 (see: *Accessories*). Other installation methods may not meet the safety requirements.

All DC-DC converters are provided with pin no. 26 (⊕), which is reliably connected with their case. For safety reasons it is essential to connect this pin with the protective earth of the supply system if required in: *Safety of operator accessible output circuit*.

Ensure that a cassette failure (e.g. by an internal short-circuit) does not result in a hazardous condition. See also: *Safety of operator accessible output circuit*.

To prevent excessive current flowing into the cassette (e.g. by an internal short-circuit), an external fuse suitable for the application and in compliance with the local requirements should be installed in the wiring to one or both input pins (no. 29 and/or no. 32). See also: *Input Fuse*.

Important: Whenever the inhibit function is not in use, pin no. 2 (i) should be connected to pin no. 23 (Vo1-) to enable the output(s).

Do not open the modules, or guarantee will be invalidated.

Make sure that there is sufficient airflow possible for convection cooling. This should be verified by measuring the case temperature when the unit is installed and operated in the end-use application. The maximum specified case temperature $T_{C\ max}$ shall not be exceeded. See also: *Thermal Considerations*.

If the end-product is to be UL certified, the temperature of the main isolation transformer should be evaluated as part of the end-product investigation.

Table 14: Isolation

Characteristic		Input to case	Input to output	Output to case	Output to output	Unit
Electric strength test voltage	Required according to IEC/EN 60950	1.5	3.0 ¹	0.5	-	kV _{rms}
		2.1	4.2 ¹	0.7	-	kVDC
	Actual factory test 1 s	2.8	5.6 ¹	1.4	0.3	
	AC test voltage equivalent to actual factory test	2.0	4.0 ¹	1.0	0.2	kV _{rms}
Insulation resistance at 500 VDC		>300	>300	>300	>100 ²	MΩ

¹ In accordance with IEC/EN 60950 only subassemblies are tested in factory with this voltage.

² Tested at 300 VDC.

For creepage distances and clearances refer to: *Technical Information: Safety*.

Cleaning Agents

In order to avoid possible damage, any penetration of liquids (e.g. cleaning fluids) is to be prevented, since the power supplies are not hermetically sealed.

Standards and Approvals

12H to 48H DC-DC converters correspond to class I equipment. All types are UL recognized according to UL 1950, UL recognized for Canada to CAN/CSA C22.2 No. 950-95 and TÜV approved to IEC/EN 60950 standards.

The units have been evaluated for:

- Building in
- Supplementary insulation between input and case and double or reinforced insulation between input and output, based on 250 VAC and 400 VDC
- Operational insulation between output(s) and case
- Operational insulation between the outputs
- The use in a pollution degree 2 environment
- Connecting the input to a primary or secondary circuit with a maximum transient rating of 2500 V.

The DC-DC converters are subject to manufacturing surveillance in accordance with the above mentioned UL, CSA, EN and with ISO 9001 standards.

Protection Degree

Condition: Female connector fitted to the unit.

IP 40: All units, except those with option D or V with potentiometer.

IP 20: All units fitted with option D or V with potentiometer.

Isolation

The electric strength test is performed as a factory test in accordance with IEC/EN 60950 and UL 1950 and should not be repeated in the field. Power-One will not honor any guarantee/warranty claims resulting from electric strength field tests.

Safety of operator accessible output circuit

If the output circuit of a DC-DC converter is operator accessible, it shall be a SELV circuit according to the IEC/EN 60950 related safety standards.

Since the H series DC-DC converters provide double or reinforced insulation between input and output, based on a rated primary input voltage of 250 VAC and 400 VDC only operational insulation is needed between the AC mains and the input of the DC-DC converter. This means that there is no need for an electrical isolation between the AC mains circuit and the DC-DC converter input circuit to cause the output of an H series DC-DC converter to be a SELV circuit.

Only voltage adaptation and rectification to the specified input voltage range of the DC-DC converter is needed.

The following table shows some possible installation configurations, compliance with which causes the output circuit of the DC-DC converter to be a SELV circuit according to IEC/EN 60950 up to a configured output voltage (sum of nominal voltages if in series or +/- configuration) of 36 V.

However, it is the sole responsibility of the installer to assure the compliance with the relevant and applicable safety regulations. More information is given in: *Technical Information: Safety*.

Table 15: Safety concept leading to a SELV output circuit

Conditions	Front end			DC-DC converter	Result
Nominal supply voltage	Minimum required grade of isolation, to be provided by the AC-DC front end, including mains supplied battery charger	Nominal DC output voltage from the front end	Minimum required safety status of the front end output circuit	Measures to achieve the specified safety status of the output circuit	Safety status of the DC-DC converter output circuit
Mains -250 VAC	Operational (i.e. there is no need for electrical isolation between the mains supply voltage and the DC-DC converter input voltage)	-400 V ¹ (The rated voltage between any input pin and earth can be up to 250 VAC or 400 VDC)	Primary circuit	Double or reinforced insulation, based on 250 VAC and 400 VDC (provided by the DC-DC converter) and earthed case ²	SELV circuit
		-400 V	Unearthed hazardous voltage secondary circuit	Supplementary insulation, based on 250 VAC and 400 VDC, and double or reinforced insulation based on the maximum nominal output voltage from the front end (both provided by the DC-DC converter) and earthed case ³	

¹ The front end output voltage should match the specified operating input voltage range of the DC-DC converter.

² The earth connection has to be provided by the installer according to the relevant safety standard, e.g. IEC/EN 60950.

³ The earth connection has to be provided by the installer according to the relevant safety standard, e.g. IEC/EN 60950. If the converter case shall not be connected with earth, the front end output circuit has to be insulated from earth according to the relevant safety standard by at least basic insulation, based on the maximum nominal output voltage from the front end, and insulated from the converter case by at least supplementary insulation, based on the maximum nominal mains voltage. The converter case is then considered to be a double-insulated accessible part.

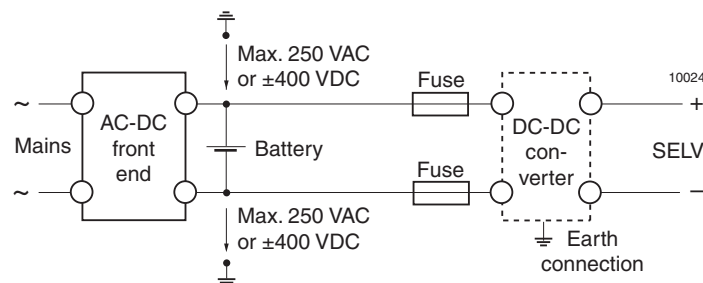


Fig. 14

Schematic safety concept.

Use earth connection as per table: *Safety concept leading to a SELV output circuit*. Use fuse according to: *Installation Instructions*.

Description of Options

Table 16: Survey of options

Option	Function of Option	Characteristic
-7	Extended operational ambient temperature range	$T_A = -25$ to 71 °C
D ¹	Input and/or output undervoltage monitoring circuitry	Safe data signal output (D1 to D8)
V ^{1,2}	Input and output undervoltage monitoring circuitry	ACFAIL signal according to VME specifications (V2, V3)

¹ Option D excludes option V and vice versa

² Only available with main output voltage $V_{o1} = 5.1$ V

-7 Extended Temperature Range

Option -7 extends the operational ambient temperature range from -10 to 50 °C (standard) to -25 to 71 °C. The power supplies provide full nominal output power with convection cooling.

D Undervoltage Monitor

The input and/or output undervoltage monitoring circuit operates independently of the built-in input undervoltage lockout circuit. A logic "low" (JFET output) or "high" signal (NPN output) is generated at pin 5 as soon as one of the monitored voltages drops below the preselected threshold

level V_t . The return for this signal is Vo1- (pin 23). The D output recovers when the monitored voltage(s) exceed(s) $V_t + V_h$. The threshold level V_t is adjustable by a potentiometer, accessible through a hole in the front cover.

Option D exists in various versions D1 to D8 as shown in the following table.

Table 17: Undervoltage monitor functions

Output type		Monitoring		Minimum adjustment range of threshold level V_t		Typical hysteresis V_h [% of V_t] for $V_{t\ min}$ to $V_{t\ max}$	
JFET	NPN	V_i	V_{o1}	V_{ti}	V_{to}	V_{hi}	V_{ho}
D1	D5	no	yes	–	3.5 V to 48 V ¹	–	2.3 to 1
D2	D6	yes	no	$V_{i\ min}$ to $V_{i\ max}$ ¹	–	3.0 to 0.5	–
D3	D7	yes	yes	$V_{i\ min}$ to $V_{i\ max}$ ¹	0.95 to 0.98 V_{o1} ²	3.0 to 0.5	"0"
D4	D8	no	yes	–	0.95 to 0.98 V_{o1} ²	–	"0"

¹ Threshold level adjustable by potentiometer (not recommended for mobile applications)

² Fixed value between 95% and 98% of V_{o1} (tracking)

JFET output (D1 to D4):

Connector pin D is internally connected via the drain-source path of a JFET (self-conducting type) to the negative potential of output 1. $V_D \leq 0.4$ V (logic low) corresponds to a monitored voltage level (V_i and/or V_{o1}) $< V_t$. The current I_D through the JFET should not exceed 2.5 mA. The JFET is protected by a 0.5 W Zener diode of 8.2 V against external overvoltages.

V_i, V_{o1} status	D output, V_D
V_i or $V_{o1} < V_t$	low, L, $V_D \leq 0.4$ V at $I_D = 2.5$ mA
V_i and $V_{o1} > V_t + V_h$	high, H, $I_D \leq 25$ μ A at $V_D = 5.25$ V

NPN output (D5 to D8):

Connector pin D is internally connected via the collector-emitter path of an NPN transistor to the negative potential of output 1. $V_D = 0.4$ V (logic low) corresponds to a monitored voltage level (V_i and/or V_{o1}) $> V_t + V_h$. The current I_D through the open collector should not exceed 20 mA. The NPN output is not protected against external overvoltages. V_D should not exceed 40 V.

V_i, V_{o1} status	D output, V_D
V_i or $V_{o1} < V_t$	high, H, $I_D \leq 25$ μ A at $V_D = 40$ V
V_i and $V_{o1} > V_t + V_h$	low, L, $V_D \leq 0.4$ V at $I_D = 20$ mA

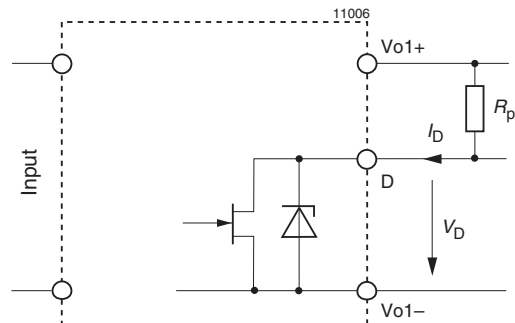


Fig. 15
Options D1 to D4, JFET output

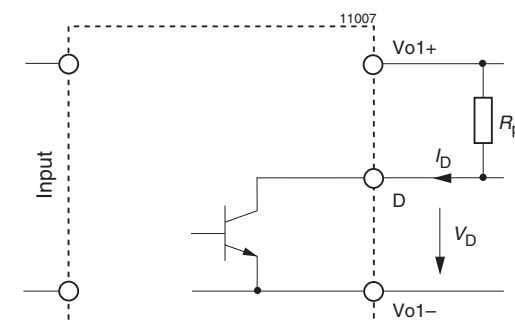


Fig. 16
Options D5 to D8, NPN output

Threshold tolerances and hysteresis:

If V_i is monitored, the internal input voltage after the input filter is measured. Consequently this voltage differs from the voltage at the connector pins by the voltage drop ΔV_{ti} across the input filter. The value of ΔV_{ti} depends upon the input voltage range, threshold level V_{ti} , temperature, and input current. The input current is a function of the input voltage and the output power.

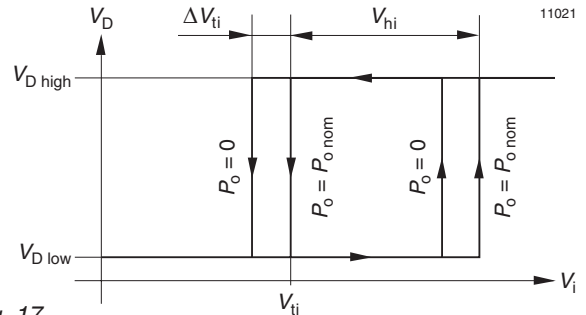
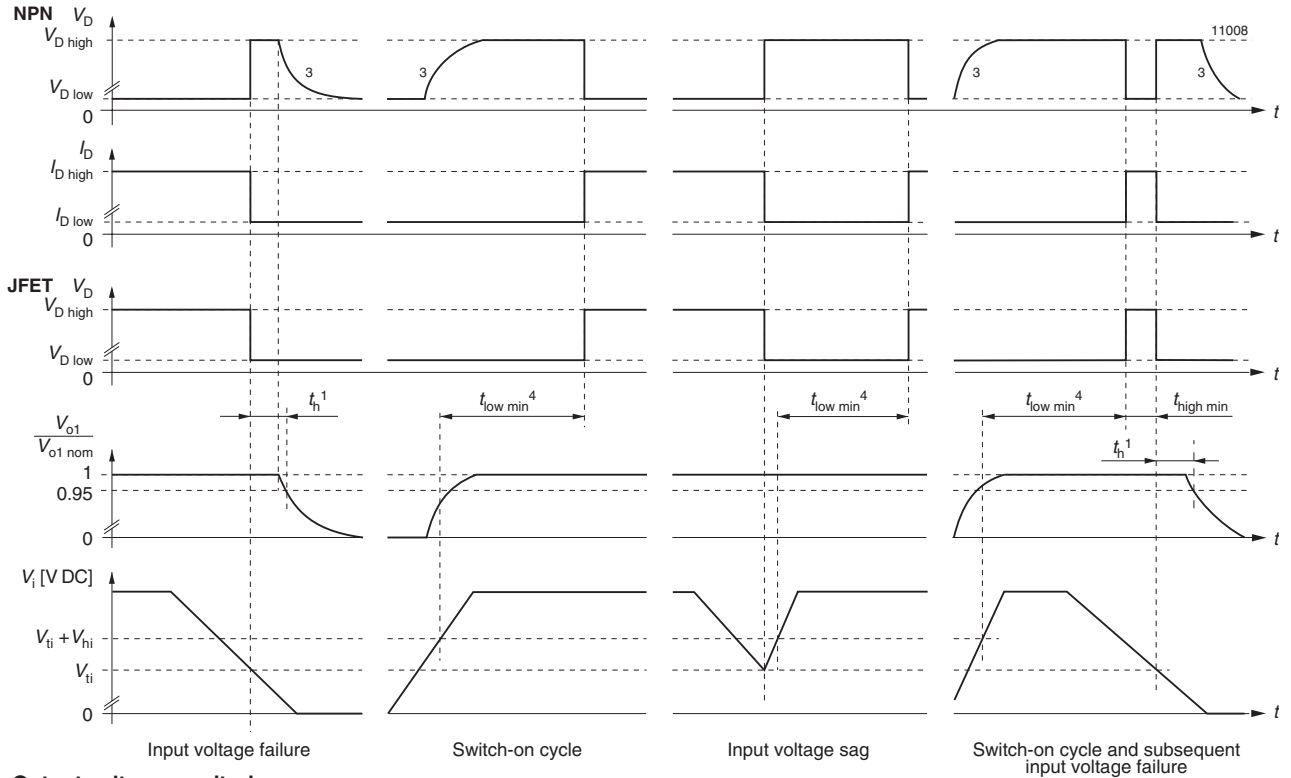
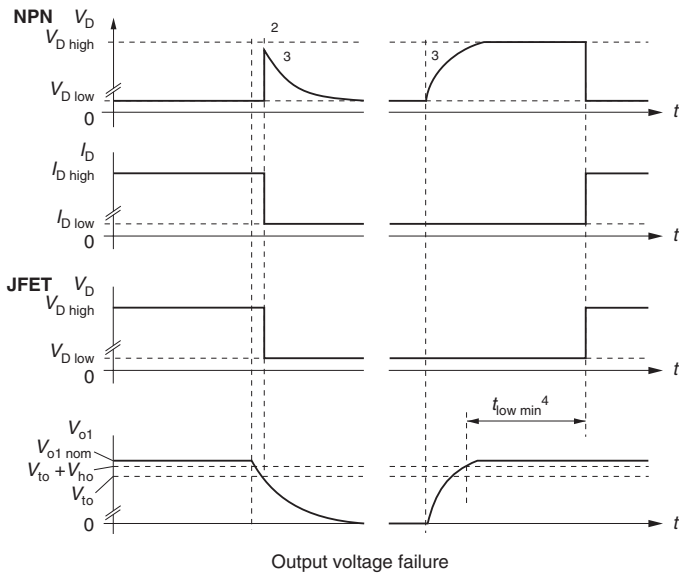


Fig. 17
Definition of V_{ti} , ΔV_{ti} and V_{hi} (JFET output)

Input voltage monitoring



Output voltage monitoring



- 1 n.a.
- 2 With output voltage monitoring the hold-up time $t_h = 0$
- 3 The D signal remains high if the D output is connected to an external source.
- 4 $t_{low\ min} = 40$ to 200 ms, typically 80 ms

Fig. 18
Relationship between V_i , V_{o1} , V_D , I_D and $V_{o1}/V_{o\ nom}$ versus time.

V ACFAIL signal (VME)

Available for units with $V_{o1} = 5.1$ V.

This option defines an undervoltage monitoring circuit for the input or the input and main output voltage equivalent to option D, and generates the ACFAIL signal (V signal) which conforms to the VME standard. The low state level of the ACFAIL signal is specified at a sink current of $I_V = 48$ mA to $V_V - 0.6$ V (open-collector output of a NPN transistor). The pull-up resistor feeding the open-collector output should be placed on the VME backplane.

After the ACFAIL signal has gone low, the VME standard requires a hold-up time t_h of at least 4 ms before the 5.1 V output drops to 4.875 V when the 5.1 V output is fully loaded. This hold-up time t_h should be provided by an external input capacitance. Consequently the working input voltage and the threshold level V_{ti} should be adequately above the minimum input voltage $V_{i\min}$ of the converter so that enough energy is remaining in this capacitance.

If the input voltage is below the required level, an external hold-up capacitor ($C_{i\text{ext}}$) should be added.

Table 18: Available internal input capacitance and factory potentiometer setting of V_{ti} with resulting hold-up time.

Types	12H	24H	48H	Unit
$C_{i\min}$	2.2	0.75	0.19	mF
V_{ti}	9.5	19.5	39	VDC
t_h	0.19	0.87	0.89	ms

Option V operates independently of the built-in input undervoltage lockout circuit. A logic "low" signal is generated at pin 5 as soon as one of the monitored voltages drops below the preselected threshold level V_t . The return for this signal is Vo1- (pin 23). The V output recovers when

Formula for threshold level for desired value of t_h :

$$V_{ti} = \sqrt{\frac{2 \cdot P_o \cdot (t_h + 0.3 \text{ ms}) \cdot 100}{C_{i\min} \cdot \eta}} + V_{i\min}^2$$

Formula for additional external input capacitor

$$C_{i\text{ext}} = \frac{2 \cdot P_o \cdot (t_h + 0.3 \text{ ms}) \cdot 100}{\eta \cdot (V_{ti}^2 - V_{i\min}^2)} - C_{i\min}$$

where as:

$C_{i\min}$ = minimum internal capacitance [mF], according to the table below

$C_{i\text{ext}}$ = external input capacitance [mF]

P_o = output power [W]

η = efficiency [%]

t_h = hold-up time [ms]

$V_{i\min}$ = minimum input voltage [V]

V_{ti} = threshold level [V]

Remarks: The threshold level V_{ti} of option V2 and V3 is adjusted during manufacture to a value according to table *Undervoltage monitor functions*, section *Option D*.

A decoupling diode should be connected in series with the input to avoid the input capacitance discharging through other loads connected to the same source voltage.

the monitored voltage(s) exceed(s) $V_t + V_h$. The threshold level V_t is adjustable by a potentiometer accessible through a hole in the front cover.

Versions V2 and V3 are available as shown below.

Table 19: Undervoltage monitor functions

V output (VME compatible)	Monitoring		Minimum adjustment range of threshold level V_t		Typical hysteresis V_h [% of V_t] for $V_{t\min}$ to $V_{t\max}$	
	V_i	V_{o1}	V_{ti}	V_{to}	V_{hi}	V_{ho}
V2	yes	no	$V_{i\min}$ to $V_{i\max}^1$	-	3.0 to 0.5	-
V3	yes	yes	$V_{i\min}$ to $V_{i\max}^1$	0.95 to 0.98 V_{o1}^2	3.0 to 0.5	"0"

¹ Threshold level adjustable by potentiometer (not recommended for mobile applications)

² Fixed value between 95% and 98% of V_{o1} (tracking), output undervoltage monitoring is not a requirement of VME standard

V output (V2, V3):

Connector pin V is internally connected to the open collector of an NPN transistor. The emitter is connected to the negative potential of output 1. $V_V \leq 0.6$ V (logic low) corresponds to a monitored voltage level (V_i and/or V_{o1}) $< V_t$. The current I_V through the open collector should not exceed 50 mA. The NPN output is not protected against external overvoltages. V_V should not exceed 80 V.

V_i, V_{o1} status	V output, U_V
V_i or $V_{o1} < V_t$	low, L, $V_V \leq 0.6$ V at $I_V = 50$ mA
V_i and $V_{o1} > V_t + V_h$	high, H, $I_V \leq 25$ μ A at $V_V = 5.1$ V

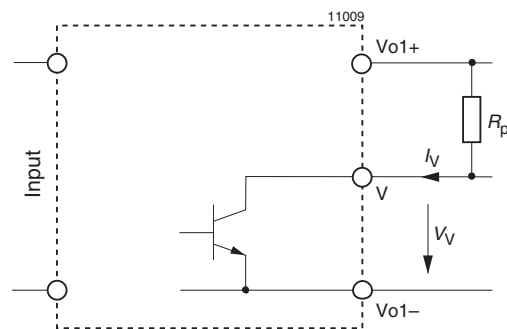


Fig. 19
Output configuration of options V2 and V3

Accessories

A variety of electrical and mechanical accessories are available including:

- Front panels for 19" rack mounting, Schroff and Intermas systems.
- Mating H11 connectors with screw, solder, fast-on or press-fit terminals.
- Connector retention facilities.
- Code key system for connector coding.
- Flexible H11 PCB for mounting of the unit onto a PCB.
- Chassis mounting plates for mounting the 19" cassette to a chassis/wall where only frontal access is given.
- Universal mounting bracket for DIN-rail or chassis mounting.

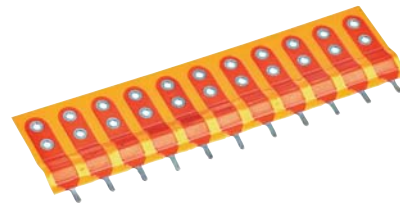
For more detailed information please refer to *Accessory Products*.



Front panels



H11 female connector,
Code key system



Flexible H11 PCB



Mounting plate,
Connector retention clips



Universal mounting bracket for DIN-rail mounting.

NUCLEAR AND MEDICAL APPLICATIONS - Power-One products are not designed, intended for use in, or authorized for use as critical components in life support systems, equipment used in hazardous environments, or nuclear control systems without the express written consent of the respective divisional president of Power-One, Inc.

TECHNICAL REVISIONS - The appearance of products, including safety agency certifications pictured on labels, may change depending on the date manufactured. Specifications are subject to change without notice.