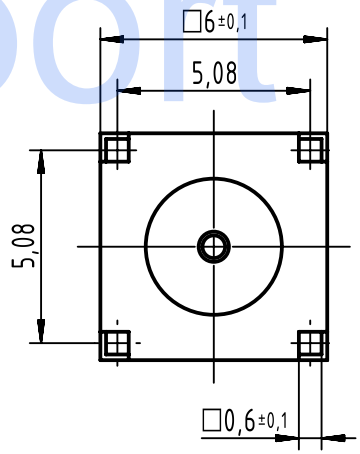
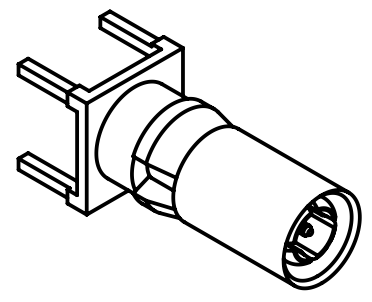
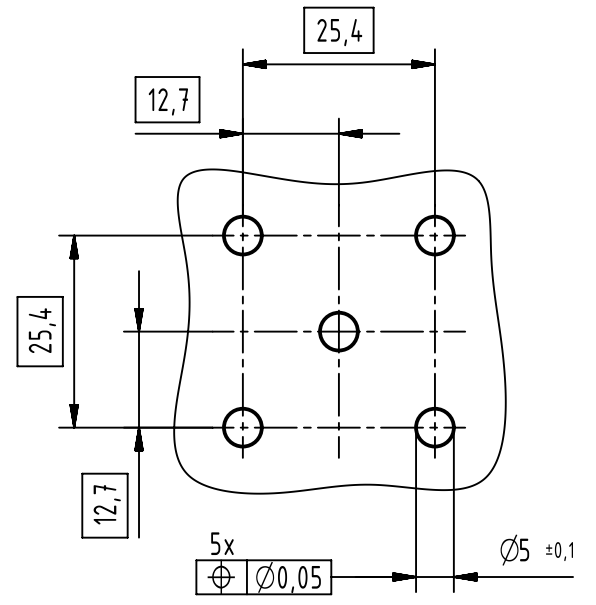


A
←



A board drillings



	All Dimensions in mm Original Size DIN A4		Scale 5:1	Free size tol. DIN 41626-2	Ref. Sub. TB 09 03 000 6165 30080 23.07.02	
		All rights reserved Department EC PD - DE	Created by ELLERMANN	Inspected by TADJE	Standardisation HOFFMANN	Date 2013-12-19
HARTING Electronics GmbH D-32339 Espelkamp		Title DIN Signal male contact coax 50 Ohm straight solder			Doc-Key / ECM-Nr. 100072499/UGD/002/B 500000069291	
		Type TB	Number 09030006165		Rev. B	Page 1/1