

## DBS front-end unit for digital BS

### DBS front-end with link for digital BS\*1

\*1) Can also be installed in digital CS broadcast receiver set

We have developed a DBS front-end with link integrated 8PSK demodulator for reducing the development time of BS digital broadcast receiver sets, which require higher quality performance than CS digital broadcasts.

#### ■ Features

##### ◇ Built-in 8PSK/QPSK demodulator

With a built-in 8PSK demodulator compatible with the digital BS broadcast modulation system, the unit contributes to reduction in set development term (QPSK demodulation for CS is also built-in)

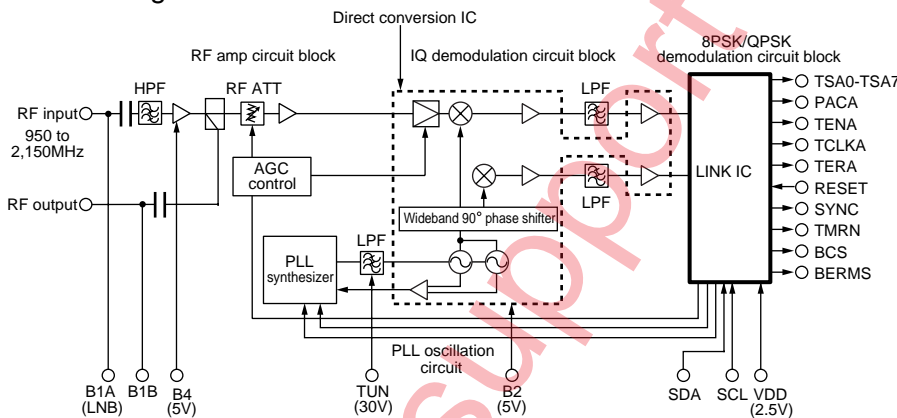
##### ◇ Line-up of models equipped with various demodulation chips

Compatible with 8PSK demodulation chips that will satisfy users' requirements

##### ◇ Compact, thin design

Can handle BS data broadcast reception, with a thickness of 13 mm which can be installed in PCI card, in the same configuration as for CS digital

#### ■ Block diagram



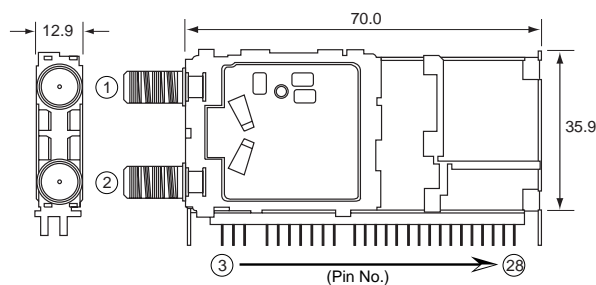
#### ■ Applications

- Digital BS broadcast reception tuner (STB)
- Digital BS broadcast reception compatible TV/VTR
- BS data broadcast reception compatible PCI cards for PCs

#### ■ Specifications

- Input frequency: 950 to 2150 MHz
- Circuit system: Direct conversion
- Channel selection system: PLL synthesizer
- Installed LINK-IC manufacturer: NEC/Fujitsu
- Input signal level: -65 to -25 dBm
- External dimensions / Inner volume: 35.8 x 70 x 12.9 mm / 27 cm<sup>3</sup>

#### ■ Outline dimensions (Unit: mm)



- |          |         |
|----------|---------|
| ① RF IN  | ⑮ VDD   |
| ② RF OUT | ⑯ TSA0  |
| ③ B1A    | ⑰ TSA1  |
| ④ B1B    | ⑱ TSA2  |
| ⑤ B4     | ⑲ TSA3  |
| ⑥ BERMS  | ⑳ TSA4  |
| ⑦ SYNC   | ㉑ TSA5  |
| ⑧ TMRN   | ㉒ TSA6  |
| ⑨ B3     | ㉓ TSA7  |
| ⑩ TUN    | ㉔ TCLKA |
| ⑪ B2     | ㉕ TENA  |
| ⑫ BCS    | ㉖ PACA  |
| ⑬ SCL    | ㉗ TERA  |
| ⑭ SDA    | ㉘ RESET |

In the absence of confirmation by device specification sheets, SHARP takes no responsibility for any defects that may occur in using any SHARP devices shown in catalogs, data books, etc. Contact SHARP in order to obtain the latest device specification sheets before using any SHARP device. Specifications are subject to change without notice for improvement.