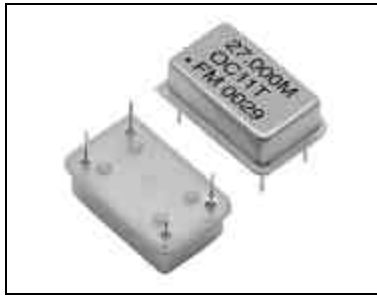


FMOC11 SERIES

5.0 Vdc Clock Oscillators

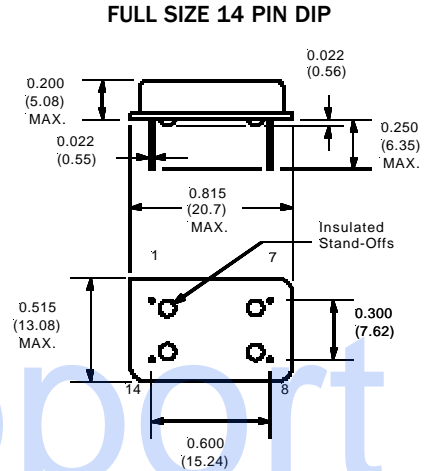
14 PIN DIP



- 5.0 Vdc Supply Voltage
- HCMOS/TTL Compatible
- Wide Frequency Range
- Hermetically Sealed

SPECIFICATIONS

Parameter	Specification
Frequency Range	500.0 kHz to 85.0 MHz
Overall Frequency Tolerance	±20 ppm to ±100 ppm (Inclusive of Operating Temp., Supply Voltage, & Load)
Operating Temperature Range	0 to +70 °C Std. (See Temp. Range Options)
Storage Temperature	-55 to +125 °C
Supply Voltage (Vdd)	+5.0 Vdc (±0.5 Vdc)
Supply Current (Icc)	20 mA max. @ 500.0 kHz to 23.9 MHz 40 mA max. @ 24.0 to 49.9 MHz 50 mA max. @ 50.0 to 85.0 MHz
Symmetry (Duty Cycle)	40/60% Std., 45/55% Avail. (See Spec. Option S)
Output "0" Level (Vol)	0.4 Vdc max. (TTL) 0.5 Vdc max. (HCMOS)
Output "1" Level (Voh)	2.4 Vdc min. (TTL) 4.5 Vdc min. (HCMOS)
Rise and Fall Time	10 ns max. < 5 ns typical
Start Time	10 ms max. < 5 ms typical
Output Load	10 TTL / 50 pF HCMOS (up to 24.0 MHz) 10 TTL / 15 pF HCMOS
Pin 1 Options (See Spec. Option T below)	No Connect (Std.) Tri-State (option T) VIH: 2.2 V or Open Enables Output VIL: 0.8 V Disables Output Output Disable/Enable Time: 100 ns max.
Aging @ 25 °C	±5ppm max first year



PIN FUNCTION TABLE

Pin	Function
1	NC or Tri-State
7	Case Ground
8	Output
14	Supply Voltage (Vdd)

All specifications subject to change without notice.

NOTE: Waveforms & Test Circuits on pages 48, 49

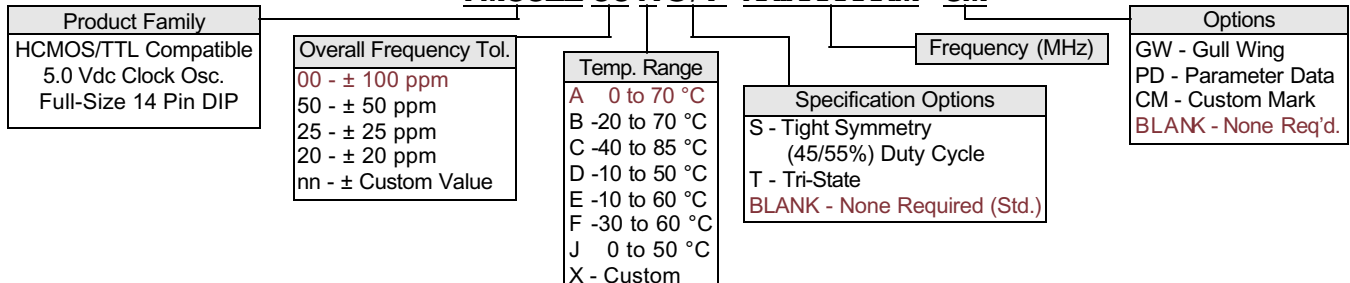
Standard Specifications for product indicated in color

Dimensions: $\frac{\text{Inches}}{\text{mm}}$

PART NUMBERING SYSTEM

MARKING: See Page 57, Format G

FMOC11 00 A S/T - XX.XXXXXXM - CM



15302 Bolsa Chica St., Huntington Beach, CA. 92649
Tel: 714-892-3234 Fax: 714-890-1832
E-mail: sales@frequencymanagement.com
www.frequencymanagement.com

1-800-800-XTAL
(9825)