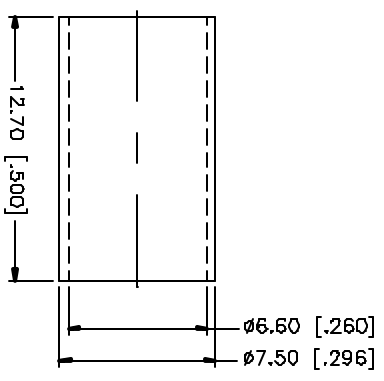
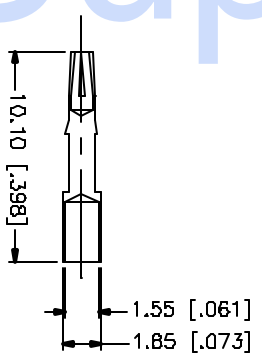
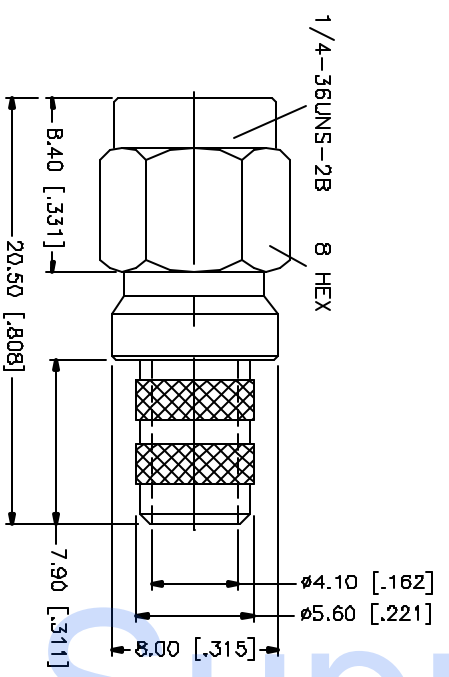
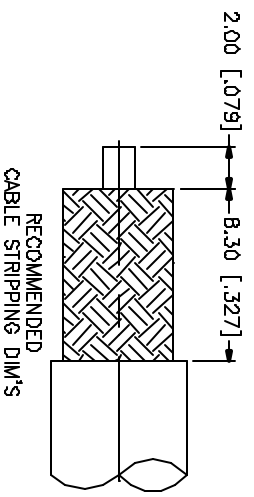


REV.	DATE	DESCRIPTION
NC	07/09/99	INITIAL RELEASE
A	05/01/04	UPDATE DRAWING FORMAT



QTY	FINISH	MATERIAL	DESCRIPTION
1	GOLD	COPPER	FERRULE
1	GOLD	BER. COPPER	CONTACT PIN
1	GOLD	BRASS	SHELL/BODY

UNLESS OTHERWISE SPECIFIED, DIMENSIONS ARE IN INCHES AND DECIMAL FRACTIONS THEREOF.	APPROVALS	DATE
TOLERANCES FOR UNLESS OTHERWISE SPECIFIED:	DRAWN G.R.S.	05/01/04
0.3 - 8mm ± 0.20mm	CHECKED	
8 - 30mm ± 0.40mm	ISSED	
30 - 120mm ± 0.50mm	SHEET 1 OF 1	
UNLESS OTHERWISE SPECIFIED, TOLERANCES FOR ANGLES ARE:	PART NO. 132231RP	
.020° - .315° ± 0.007°	PART DESCRIPTION	
.315° - 1.180° ± 0.015°	SMA REVERSE POLARITY CRIMP PLUG	
1.180° - 4.724° ± 0.020°	(FOR BELDEN RG-8/X, TIMES LMR-240MA)	
DO NOT SCALE DRAWING	DWG. NO. 132231RP.DWG	REV. A
	SIZE A	SCALE NA

**Amphenol Connex**