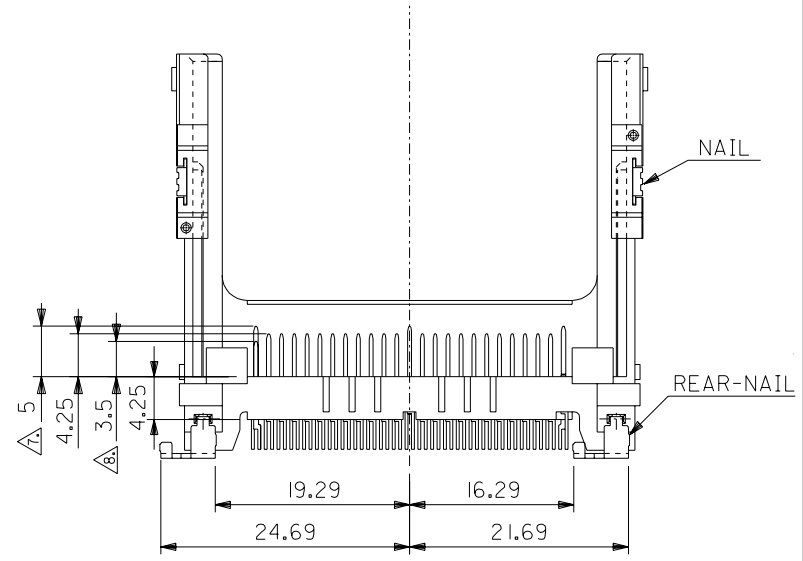
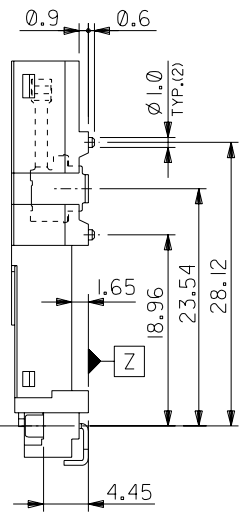
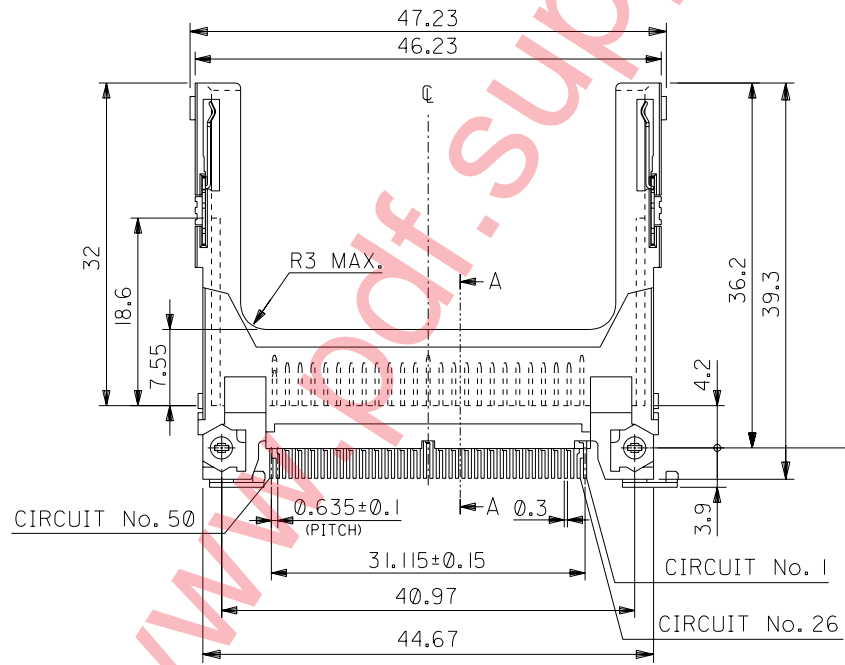
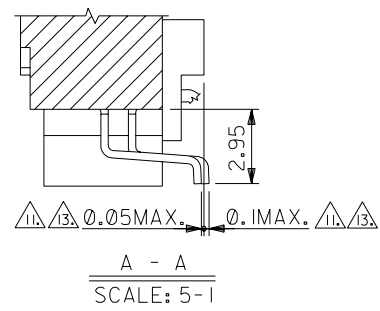
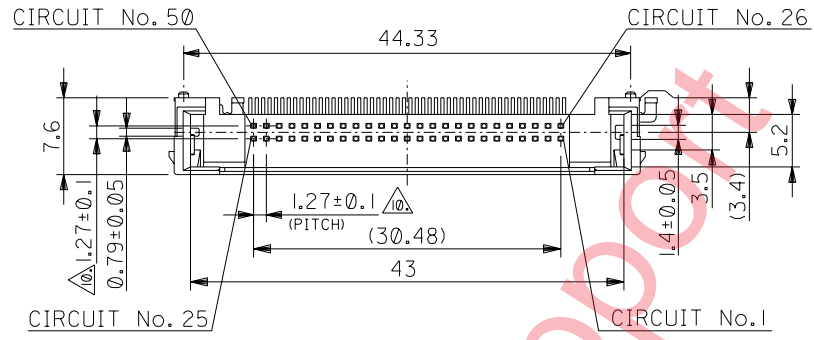


DWG. NO. SD-55358-014



DO NOT SCALE DRAWING

EC NO. DRWN: CHK: APPR:	EC NO. DRWN: CHK: APPR:	EC NO. DRWN: CHK: APPR:	EC NO. DRWN: CHK: APPR:
RELEASED EC NO. J2004-3952 DRWN: M.NABEI '04/04/22 CHK: K.TOJO '04/04/22 APPR: M.SASAO '04/04/22			

DESCRIPTION	MATERIAL 材料	FINISH 仕上り	WIRE RANGE 適用線径範囲	INS. RANGE 被覆外径
SEE NOTES	SEE NOTES	SEE NOTES	—	—

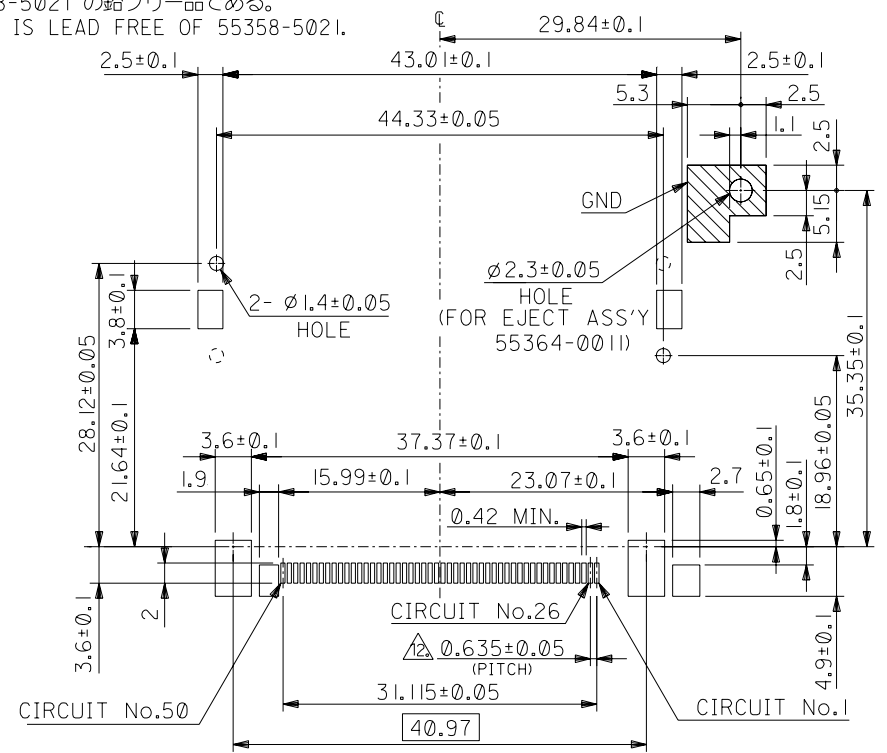
GENERAL TOLERANCES: (UNLESS SPECIFIED) 一般公差	
10 UNDER 未満	±0.2
10 OVER 30 UNDER 以上 未満	±0.25
30 OVER 以上	±0.3
ANGLE 角度	±3°

55358-5028		55358-5029		55358-50**	
HARD TRAY PACKAGE		MATERIAL No.		MODEL No.	
SCALE 2 - 1	DESIGN UNITS <input checked="" type="checkbox"/> mm <input type="checkbox"/> INCH	DIMENSIONS: <input type="checkbox"/> mm <input type="checkbox"/> INCH <input type="checkbox"/> mm ONLY		SHT	REV
DRAWN BY & DATE M.NABEI '04/04/22		TITLE: CF CARD CONN. 50P HEADER ASS'Y (TYPE I/II, NORMAL) -LEAD FREE-			
CHECKED BY & DATE K.TOJO '04/04/22		MATERIAL NO. SEE CHART			
APPROVED BY & DATE M. Sasao '04/04/22		DRAWING NO. SD-55358-014		SHEET NO. 1 OF 2	
CAD FILENAME SD-55358-014.S01		DRAWING NO. SD-55358-014		SHEET NO. 1 OF 2	
THIS DRAWING CONTAINS INFORMATION THAT IS PROPRIETARY TO MOLEX INCORPORATED AND SHOULD NOT BE USED WITHOUT WRITTEN PERMISSION.					SIZE B

DWG. NO. SD-55358-014

- 注) NOTES
1. 材質 MATERIAL
 ハウジング: ガラス入りLCP UL94V-0
 HOUSING: LIQUID CRYSTAL POLYMER G.F. UL94V-0
 ピン: リン青銅
 PIN: PHOSPHOR BRONZE
 ネール: リン青銅 (t0.3)
 NAIL: PHOSPHOR BRONZE (t0.3)
 リヤネール: リン青銅 (t0.48)
 REAR-NAIL: PHOSPHOR BRONZE (t0.48)
2. メッキ仕様 PLATING
 ピン
 PIN 接点部: パラジウムニッケル下地、金メッキ
 CONTACT AREA: GOLD OVER PALLADIUM-NICKEL
 半田付け部: 錫メッキ
 SOLDER TAIL AREA: TIN
 下地メッキ: ニッケルメッキ
 UNDERPLATING: NICKEL OVER ALL
 ネール
 NAIL 接点部: 金メッキ
 CONTACT AREA: GOLD
 半田付け部: 錫メッキ
 SOLDER TAIL AREA: TIN
 下地メッキ: ニッケルメッキ
 UNDERPLATING: NICKEL OVER ALL
 リヤネール
 REAR-NAIL 錫メッキ
 TIN
 下地メッキ: ニッケルメッキ
 UNDERPLATING: NICKEL OVER ALL
3. 推奨基板厚: t=0.8 MIN.
 RECOMMENDED P.C.B. THICKNESS: t=0.8 MIN.
4. 適合カード厚: 3.3±0.1 (TYPE I) AND 5 MAX. (TYPE II)
 RECOMMENDED CARD THICKNESS: 3.3±0.1 (TYPE I) AND 5 MAX. (TYPE II)
5. 適合カード幅: 42.8±0.1
 RECOMMENDED CARD WIDTH: 42.8±0.1
6. ハウジング色: 黒
 HOUSING COLOR: BLACK
7. 寸法適用極: 1,13,38,50
 THIS DIMENSION APPLIES TO CIRCUIT NUMBERS 1,13,38 AND 50.
8. 寸法適用極: 25,26
 THIS DIMENSION APPLIES TO CIRCUIT NUMBERS 25 AND 26.
9. ピンの倒れは、ピン根元を基準に全方向へ0.1 MAX.とする。
 PIN TIP LEAN TOWARD ANY DIRECTION NOT TO EXCEED 0.1 WHEN MEASURED FROM PIN BASE.
10. ピン根元に適用する。
 THIS DIMENSION TO BE MEASURED AT PIN BASE.

11. ソルダータールは、Z面を基準とし上へ0.05下へ0.1の範囲にあり、且つソルダータールの平坦度は、0.1 MAX.とし、テール先端にて測定する。
 SOLDER TAILS TO BE WITHIN 0.05 UPWARD AND 0.1 DOWNWARD FROM Z-DATUM PLACE, AND COPLANARITY OF SOLDER TAILS TO BE WITHIN 0.1. MEASUREMENT POINT IS SOLDER TAILS TIP.
12. 公差非累積
 NON-CUMULATIVE
13. テールとネール、リヤネールを併せた平坦度は、0.1 MAX.とする。
 TOTAL COPLANARITY OF SOLDER TAILS, NAILS AND REAR-NAILS TO BE 0.1 MAX.
14. 本製品は 55358-5021 の鉛フリー品である。
 THIS PRODUCT IS LEAD FREE OF 55358-5021.



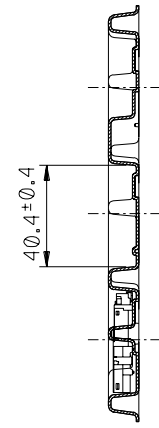
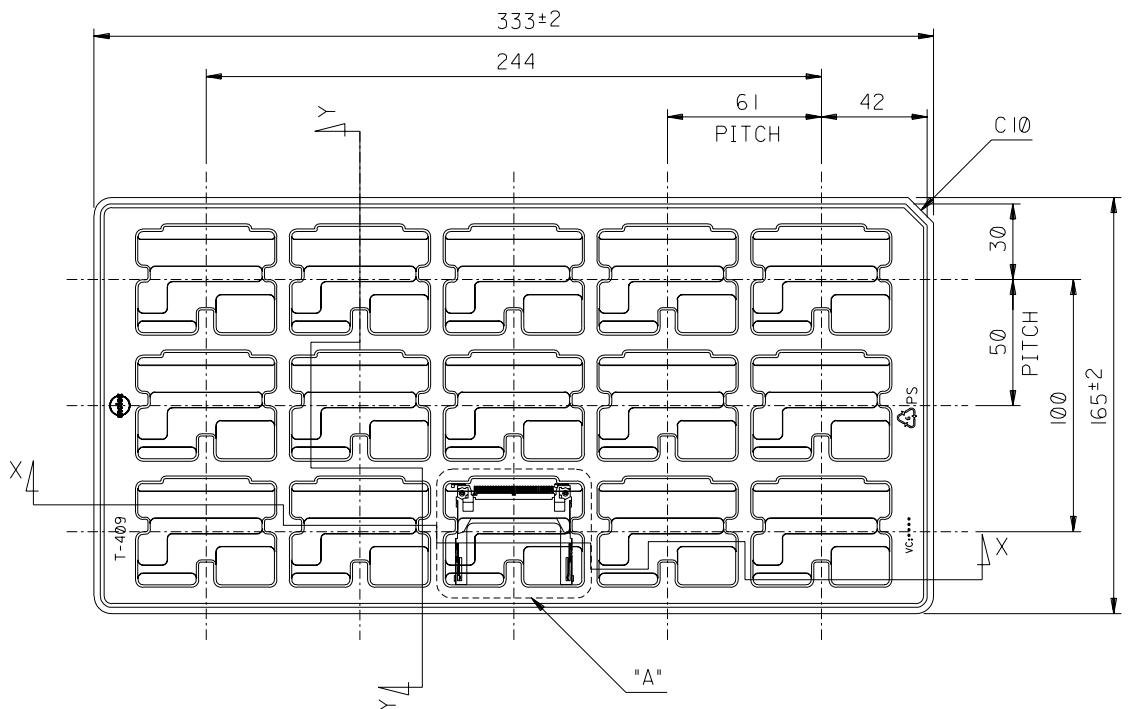
基板推奨寸法
 RECOMMENDED P.C.B. LAYOUT

EC NO. DRAWN: CH'K: APPR:			EC NO. DRAWN: CH'K: APPR:			EC NO. DRAWN: CH'K: APPR:			EC NO. DRAWN: CH'K: APPR:			EC NO. DRAWN: CH'K: APPR:			EC NO. DRAWN: CH'K: APPR:			REV								
MATERIAL 材料												GENERAL TOLERANCES: (UNLESS SPECIFIED) 一般公差			SCALE 2 - 1		DESIGN UNITS		MODEL NO.		DIMENSIONS:		SHT		REV	
SEE NOTES												10 UNDER 未満 ±0.2			DRAWN BY & DATE		M.NABEI '04/04/22		TITLE:		CF CARD CONN.					
SEE NOTES												10 OVER 30 UNDER 未満 ±0.25			CHECKED BY & DATE		K.TOJO '04/04/22		(TYPE I/II, NORMAL) -LEAD FREE-							
												30 OVER 以上 ±0.3			APPROVED BY & DATE		M. Sasaki '04/04/22		MOLEX INCORPORATED							
WIRE RANGE 適用電線範囲												ANGLE 角度 ±3°			CAD FILENAME		SD-55358-014.S02		MATERIAL NO.		DRAWING NO.		SHEET NO.		SIZE	
																					SD-55358-014		2		B	
																									EN-02J(097) MXJ-54	

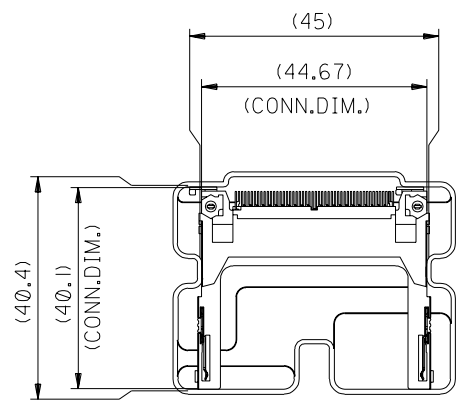
DO NOT SCALE DRAWING

SD-55358-014.S02

DWG. NO. SD-55358-016



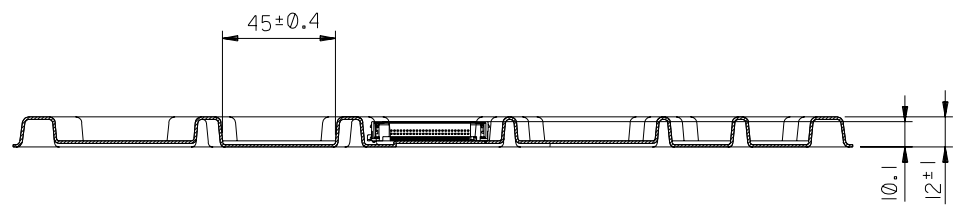
SECT. Y-Y



DETAIL A
(SCALE 1-1)

NOTES

1. 一般公差: ±0.5
GENERAL TOLERANCES: ±0.5
2. 反り: 2MAX.
WARP: 2MAX.
3. 梱包数: 15個
PACKAGING QUANTITY: 15PCS.
4. 本製品は 55358-5026/-5036 の鉛フリー品である。
THIS PRODUCT IS LEAD FREE OF 55358-5026/-5036.



SECT. X-X

15	55358-5039	55358-5038	50
	55358-5029	55358-5028	
梱包数量 QUANTITY	コネクタ番号 CONNECTOR No.	製品番号 MATERIAL No.	極数 CKT.

DO NOT SCALE DRAWING

64 NO. DRWN: CH'K: APPR: 63 NO. DRWN: CH'K: APPR: 62 NO. DRWN: CH'K: APPR: 61 NO. DRWN: CH'K: APPR:	RELEASED 60 NO. J2004-3952 DRWN: M.NABEI CH'K: K.TOJO APPR: M.SASAO	MATERIAL 材料 POLYSTYRENE (t=1.0)	GENERAL TOLERANCES: (UNLESS SPECIFIED) 一般公差 10 UNDER 未満 ±0.2 10 OVER 以上 ±0.25 30 UNDER 未満 ±0.25 30 OVER 以上 ±0.3 ANGLE 角度 ±3°	SCALE 1:2 DESIGN UNITS <input checked="" type="checkbox"/> mm <input type="checkbox"/> INCH	MODEL NO. <input checked="" type="checkbox"/> 2D <input type="checkbox"/> 3D PROJECTION <input type="checkbox"/> 1ST ANGLE <input checked="" type="checkbox"/> THIRD ANGLE	DIMENSIONS: <input type="checkbox"/> mm <input type="checkbox"/> INCH <input checked="" type="checkbox"/> mm ONLY	SHT REV 2 OF 1		
				DRAWN BY & DATE M.NABEI '04/04/22	CHECKED BY & DATE K.TOJO '04/04/22	APPROVED BY & DATE M.SASAO '04/04/22	TITLE: TRAY FOR CF CARD CONN. 50P HEADER HS'G ASS'Y -LEAD FREE-	MOLEX INCORPORATED	CAD FILENAME SD-55358-016.S01
WIRE RANGE 適用線径範囲 // INS. RANGE 被覆外径 //							THIS DRAWING CONTAINS INFORMATION THAT IS PROPRIETARY TO MOLEX INCORPORATED AND SHOULD NOT BE USED WITHOUT WRITTEN PERMISSION.		SIZE B