

## 622/632-Series Miniature Rocker Switches



A high powered offering packed into a compact sized envelope, the 622/632-Series is a staple of the Appliance, Food Service, Transportation, and General Purpose markets. The silver-alloy butt contacts will handle inrush spikes up to 125 amps and steady state current to 16A 125VAC. The lighted 632-Series features a multitude of illumination circuit options available with LED, incandescent and neon style lamps.

### Dielectric Strength

UL/CSA: 1000V - live to dead metal parts & opposite polarity

### Electrical Life

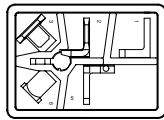
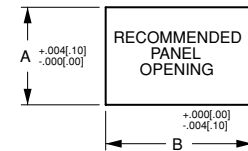
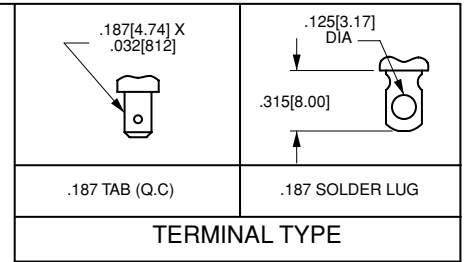
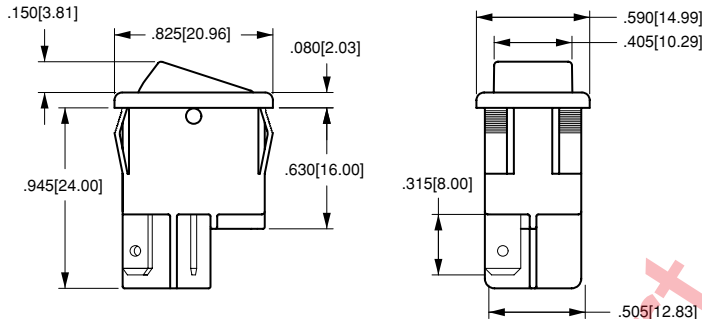
50,000 cycles

### Mechanical Life

100,000 cycles

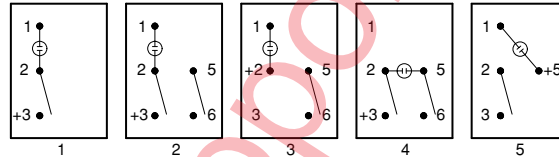
### Operating Temperature

32°F to 185°F (0°C to 85°C)



632 SCHEMATIC

UNBALLASTED



PANEL THICKNESS	A	B
.030[.76]-.050[1.27]	.508[12.90]	.756[19.20]
.050[1.27]-.078[1.98]	.508[12.90]	.764[19.40]
.078[1.98]-.125[3.17]	.508[12.90]	.780[19.81]

**632121 - 1 B - K N**

1 Base Part Number      2 Actuator Color\*      3 Base Color      4 Lamp\*      5 Legend

**1 BASE PART NUMBER: SERIES/CIRCUITRY/RATING/TERMINATION**  
 8A 250VAC; 12A 125VAC; 1/2 HP 125-250VAC  
 622-SERIES NON-ILLUMINATED ROCKER

- ON-NONE-OFF (Single Pole)
- ON-NONE-OFF (Double Pole)
- 632-SERIES ILLUMINATED ROCKER**
- ON-NONE-OFF (Single Pole, dependent lamp) schematic 1
- ON-NONE-OFF (Single Pole, independent lamp) schematic 3
- ON-NONE-OFF (Single Pole, independent lamp unballasted) schematic 5
- ON-NONE-OFF (Double Pole, dependent lamp w/ 5 terms.) schematic 2
- ON-NONE-OFF (Double Pole, dependent lamp w/ 4 terms.) schematic 4

Solder Lugs	.187 Tabs
622121	622122
622221	622222
632121	632122
632321	632322
632521	632522
632221	632222
632421	632422

**2 ACTUATOR COLOR\***

622 (non illuminated)	632 (illuminated)
B black	1 clear amber
W white	2 clear red
	3 clear blue <sup>3</sup>
	4 clear green
	5 clear

**4 LAMP VOLTAGE/STYLE\***

	A	B
N 622 (non illuminated)	6V incandescent	C 12V incandescent
1 unballasted LED	E 18V incandescent	H 24V incandescent
2 6V LED	J 125V neon	K 250V neon
3 12V LED		
4 24V LED		

**3 BASE COLOR\***

B black	W white
---------	---------

**5 ROCKER LEGEND**

	hot stamp
NO LEGEND	N
OFF-ON vertical	A
OFF-ON horizontal	B
I-O horizontal	D
I-O vertical	E
O on rocker radius	F

**NOTES**  
 1 For all incandescent or LED lamps specify 5 in 5th digit of part number. Example 632151-1B-CN  
 2 10A 250VAC, 16A 125 VAC rating available for select single pole circuits, consult factory for details.  
 3 Available with incandescent lamps only.  
 4 Additional colors available. Consult factory for details.