

1N3305  
thru  
1N3350

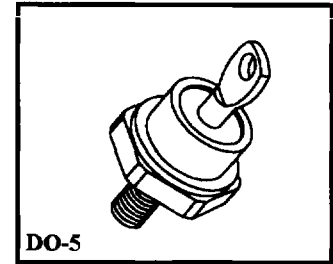
# 50 WATT SILICON ZENER DIODES

Available in Voltages from 6.8 V thru 200 V

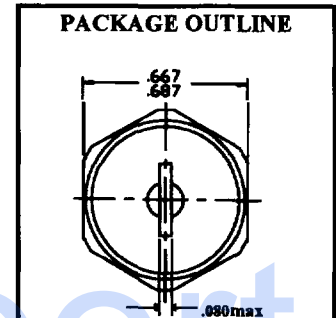
**FEATURES:**

- ZENER VOLTAGE 6.8 TO 200 V
- LOW ZENER IMPEDANCE
- HIGHLY RELIABLE AND RUGGED
- HERMETICALLY SEALED
- MATTE TIN PLATED
- CUSTOM DESIGNS AVAILABLE ~ CONSULT FACTORY

**POLARITY:** Standard polarity anode to case. Reverse polarity (cathode to case) indicated by suffix R. (EX. 1N3305RB).



DO-5



PACKAGE OUTLINE

**MAXIMUM RATINGS:**

Junction and Storage Temperatures -65°C to +175°C  
 DC Power Dissipation: 50 Watts  
 Power Derating: 0.5 W/° above 75°C  
 Forward Voltage @ 10 A: 1.5 Volts Max

