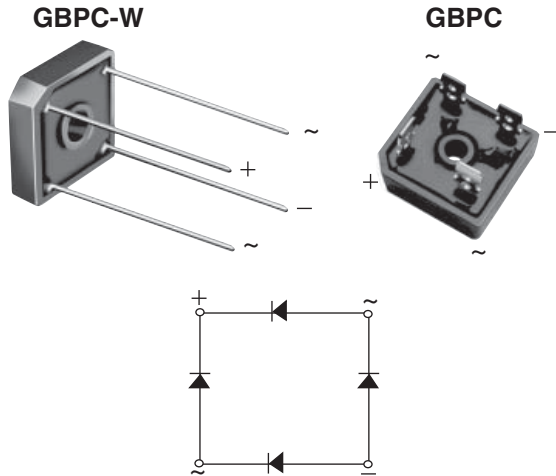


## Glass Passivated Single-Phase Bridge Rectifier



### FEATURES

- UL recognition file number E54214
- Universal 3-way terminals: snap-on, wire wrap-around, or PCB mounting
- Typical  $I_R$  less than 0.3  $\mu$ A
- High surge current capability
- Low thermal resistance
- Solder dip 275 °C max. 10 s, per JESD 22-B106
- Material categorization: For definitions of compliance please see [www.vishay.com/doc?99912](http://www.vishay.com/doc?99912)


**RoHS**  
COMPLIANT

### TYPICAL APPLICATIONS

General purpose use in AC/DC bridge full wave rectification for power supply, home appliances, office equipment, industrial automation applications.

### MECHANICAL DATA

#### Case: GBPC, GBPC-W

Molding compound meets UL 94 V-0 flammability rating Base P/N-E4 - RoHS-compliant, commercial grade

**Terminals:** Nickel plated on faston lugs or silver plated on wire leads, solderable per J-STD-002 and JESD22-B102. Suffix letter "W" added to indicate wire leads (e.g. GBPC12005W).

**Polarity:** As marked, positive lead by beveled corner

**Mounting Torque:** 20 inches-lbs. max.

### PRIMARY CHARACTERISTICS

Package	GBPC, GBPC-W
$I_{F(AV)}$	12 A, 15 A, 25 A, 35 A
$V_{RRM}$	50 V to 1000 V
$I_{FSM}$	200 A, 300 A, 300 A, 400 A
$I_R$	5 $\mu$ A
$V_F$ at $I_F$	1.1 V
$T_J$ max.	150 °C
Diode variations	Quad

### MAXIMUM RATINGS ( $T_A = 25$ °C unless otherwise noted)

PARAMETER	SYMBOL	GBPC12, 15, 25, 35							UNIT
		005	01	02	04	06	08	10	
Maximum repetitive peak reverse voltage	$V_{RRM}$	50	100	200	400	600	800	1000	V
Maximum RMS voltage	$V_{RMS}$	35	70	140	280	420	560	700	V
Maximum DC blocking voltage	$V_{DC}$	50	100	200	400	600	800	1000	V
Maximum average forward rectified output current (Fig. 1)	$I_{F(AV)}$	12							A
		15							
		25							
		35							
Peak forward surge current single sine-wave superimposed on rated load	$I_{FSM}$	200							A
		300							
		300							
		400							
Rating (non-repetitive, for t greater than 1 ms and less than 8.3 ms) for fusing	$I^2t$	160							A <sup>2</sup> s
		375							
		375							
		660							
RMS isolation voltage from case to leads	$V_{ISO}$	2500							V
Operating junction storage temperature range	$T_J, T_{STG}$	- 55 to + 150							°C



## ELECTRICAL CHARACTERISTICS (T<sub>A</sub> = 25 °C unless otherwise noted)

PARAMETER	TEST CONDITIONS	SYMBOL	GBPC12, 15, 25, 35						UNIT	
			005	01	02	04	06	08		10
Maximum instantaneous forward drop per diode	GBPC12	I <sub>F</sub> = 6.0 A	V <sub>F</sub>	1.1						V
	GBPC15	I <sub>F</sub> = 7.5 A								
	GBPC25	I <sub>F</sub> = 12.5 A								
	GBPC35	I <sub>F</sub> = 17.5 A								
Maximum reverse DC current at rated DC blocking voltage per diode	T <sub>A</sub> = 25 °C		I <sub>R</sub>	5.0						μA
	T <sub>A</sub> = 125 °C			500						
Typical junction capacitance per diode	4 V, 1 MHz		C <sub>J</sub>	300						pF

## THERMAL CHARACTERISTICS (T<sub>A</sub> = 25 °C unless otherwise noted)

PARAMETER	SYMBOL	GBPC12, 15, 25, 35						UNIT		
		005	01	02	04	06	08		10	
Typical thermal resistance	GBPC12 to GBPC25		R <sub>θJC</sub> <sup>(1)</sup>	1.9						°C/W
	GBPC35			1.4						

### Notes

<sup>(1)</sup> With heatsink

<sup>(2)</sup> Bolt down on heatsink with silicone thermal compound between bridge and mounting surface for maximum heat transfer with #10 screw

## ORDERING INFORMATION (Example)

PREFERRED P/N	UNIT WEIGHT (g)	PREFERRED PACKAGE CODE	BASE QUANTITY	DELIVERY MODE
GBPC1206-E4/51	15.79	51	100	Paper box
GBPC1506-E4/51	15.79	51	100	Paper box
GBPC2506-E4/51	15.79	51	100	Paper box
GBPC3506-E4/51	15.79	51	100	Paper box
GBPC1206W-E4/51	13.8	51	100	Paper box
GBPC1506W-E4/51	13.8	51	100	Paper box
GBPC2506W-E4/51	13.8	51	100	Paper box
GBPC3506W-E4/51	13.8	51	100	Paper box

## RATINGS AND CHARACTERISTICS CURVES

( $T_A = 25\text{ }^\circ\text{C}$  unless otherwise noted)

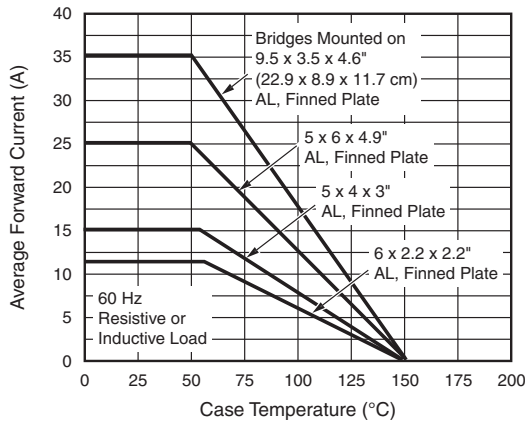


Fig. 1 - Maximum Output Rectified Current

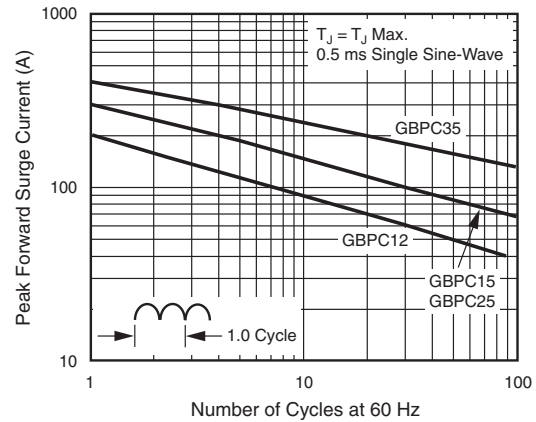


Fig. 4 - Maximum Non-Repetitive Peak Forward Surge Current Per Diode

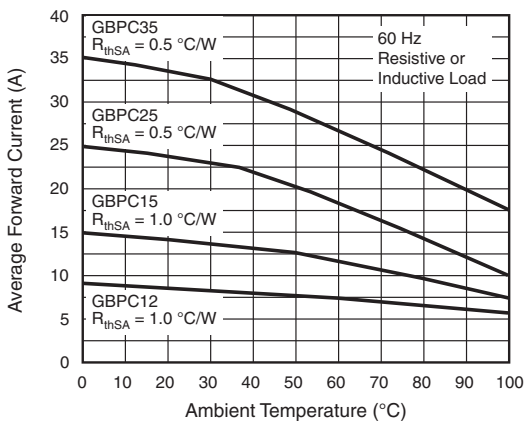


Fig. 2 - Maximum Output Rectified Current

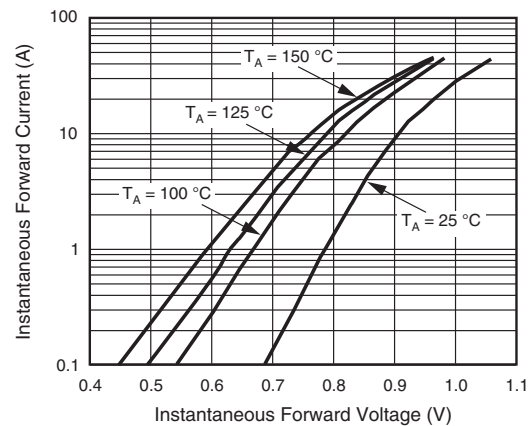


Fig. 5 - Typical Instantaneous Forward Characteristics Per Diode

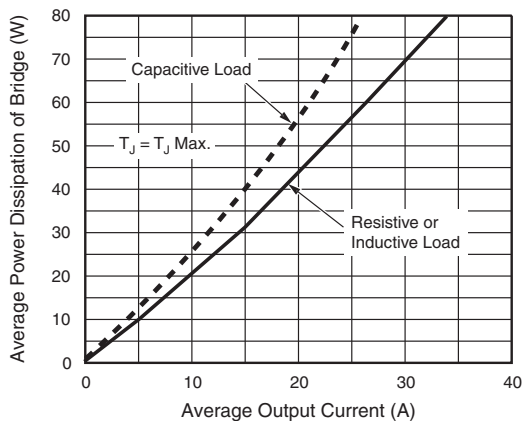


Fig. 3 - Maximum Power Dissipation

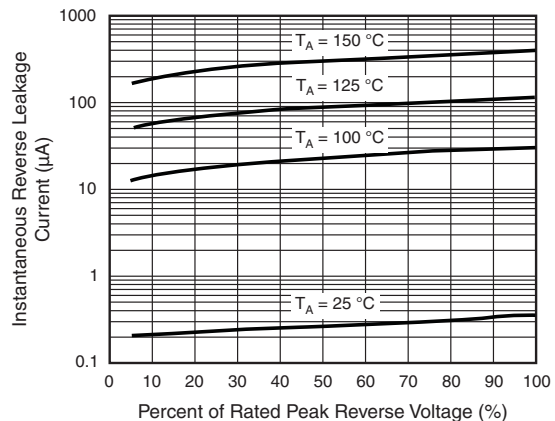


Fig. 6 - Typical Reverse Leakage Characteristics Per Diode

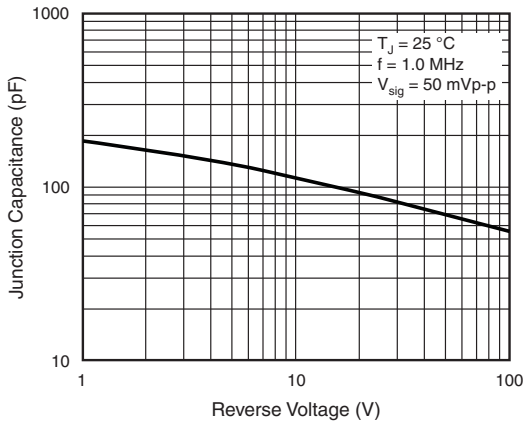


Fig. 7 - Typical Junction Capacitance Per Diode

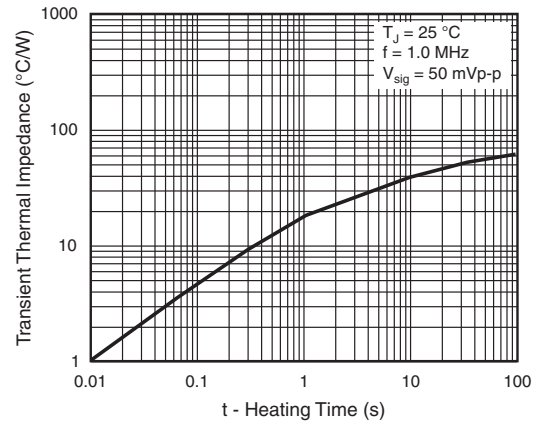
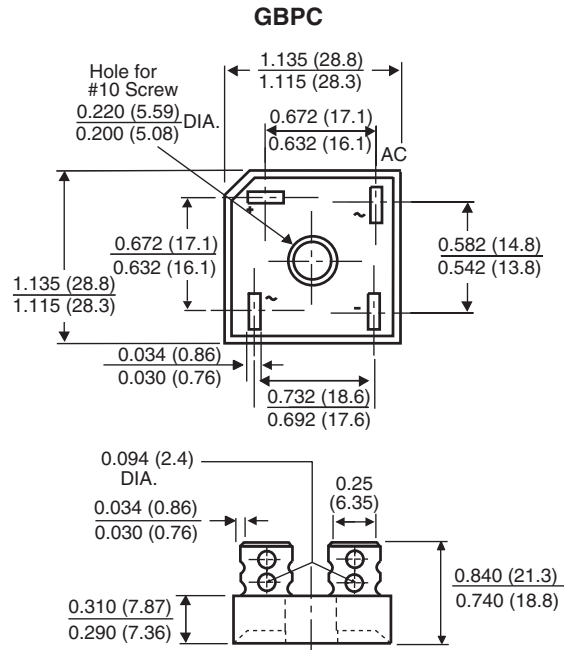
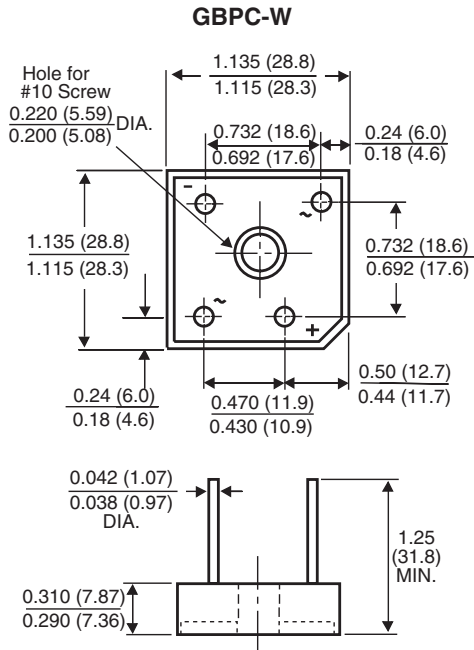


Fig. 8 - Typical Transient Thermal Impedance Per Diode

## PACKAGE OUTLINE DIMENSIONS in inches (millimeters)





## **Disclaimer**

ALL PRODUCT, PRODUCT SPECIFICATIONS AND DATA ARE SUBJECT TO CHANGE WITHOUT NOTICE TO IMPROVE RELIABILITY, FUNCTION OR DESIGN OR OTHERWISE.

Vishay Intertechnology, Inc., its affiliates, agents, and employees, and all persons acting on its or their behalf (collectively, "Vishay"), disclaim any and all liability for any errors, inaccuracies or incompleteness contained in any datasheet or in any other disclosure relating to any product.

Vishay makes no warranty, representation or guarantee regarding the suitability of the products for any particular purpose or the continuing production of any product. To the maximum extent permitted by applicable law, Vishay disclaims (i) any and all liability arising out of the application or use of any product, (ii) any and all liability, including without limitation special, consequential or incidental damages, and (iii) any and all implied warranties, including warranties of fitness for particular purpose, non-infringement and merchantability.

Statements regarding the suitability of products for certain types of applications are based on Vishay's knowledge of typical requirements that are often placed on Vishay products in generic applications. Such statements are not binding statements about the suitability of products for a particular application. It is the customer's responsibility to validate that a particular product with the properties described in the product specification is suitable for use in a particular application. Parameters provided in datasheets and / or specifications may vary in different applications and performance may vary over time. All operating parameters, including typical parameters, must be validated for each customer application by the customer's technical experts. Product specifications do not expand or otherwise modify Vishay's terms and conditions of purchase, including but not limited to the warranty expressed therein.

Except as expressly indicated in writing, Vishay products are not designed for use in medical, life-saving, or life-sustaining applications or for any other application in which the failure of the Vishay product could result in personal injury or death. Customers using or selling Vishay products not expressly indicated for use in such applications do so at their own risk. Please contact authorized Vishay personnel to obtain written terms and conditions regarding products designed for such applications.

No license, express or implied, by estoppel or otherwise, to any intellectual property rights is granted by this document or by any conduct of Vishay. Product names and markings noted herein may be trademarks of their respective owners.

# Mouser Electronics

Authorized Distributor

Click to View Pricing, Inventory, Delivery & Lifecycle Information:

[Vishay:](#)

[GBPC3502W/1](#) [GBPC1208/1](#) [GBPC25005/1](#) [GBPC3510W/1](#) [GBPC3501/1](#) [GBPC2502/1](#) [GBPC12005/1](#)  
[GBPC3508/1](#) [GBPC2508/1](#) [GBPC2510/1](#) [GBPC2506/1](#) [GBPC3504/1](#) [GBPC2504/1](#) [GBPC2501W/1](#) [GBPC3506W/1](#)  
[GBPC3506/1](#) [GBPC3510/1](#) [GBPC1201/1](#) [GBPC1506W/1](#) [GBPC2510W/1](#) [GBPC1204/1](#) [GBPC3508W/1](#)  
[GBPC2504W/1](#) [GBPC3501W/1](#) [GBPC2508W/1](#) [GBPC2501/1](#) [GBPC1202/1](#) [GBPC1210/1](#) [GBPC2502W/1](#)  
[GBPC35005/1](#) [GBPC35005W/1](#) [GBPC1206/1](#) [GBPC3504W/1](#) [GBPC25005W/1](#) [GBPC3502/1](#) [GBPC2506W/1](#) [VS-](#)  
[GBPC3502W](#) [VS-GBPC2510W](#) [VS-GBPC3508W](#) [VS-GBPC2506W](#) [VS-GBPC3506W](#) [VS-GBPC2504W](#) [VS-](#)  
[GBPC2502W](#) [VS-GBPC2508W](#) [VS-GBPC2512W](#) [VS-GBPC3510W](#) [GBPC12005-E4/51](#) [GBPC12005W-E4/51](#)  
[GBPC1201-E4/51](#) [GBPC1201W-E4/51](#) [GBPC1202-E4/51](#) [GBPC1202W-E4/51](#) [GBPC1204-E4/51](#) [GBPC1204W-](#)  
[E4/51](#) [GBPC1206-E4/51](#) [GBPC1206W-E4/51](#) [GBPC1208-E4/51](#) [GBPC1208W-E4/51](#) [GBPC1210-E4/51](#)  
[GBPC1210W-E4/51](#) [GBPC15005-E4/51](#) [GBPC15005W-E4/51](#) [GBPC1501-E4/51](#) [GBPC1501W-E4/51](#) [GBPC1502-](#)  
[E4/51](#) [GBPC1502W-E4/51](#) [GBPC1504-E4/51](#) [GBPC1504W-E4/51](#) [GBPC1506-E4/51](#) [GBPC1506W-E4/51](#)  
[GBPC1508-E4/51](#) [GBPC1508W-E4/51](#) [GBPC1510-E4/51](#) [GBPC1510W-E4/51](#) [GBPC25005-E4/51](#) [GBPC25005W-](#)  
[E4/51](#) [GBPC2501-E4/51](#) [GBPC2501W-E4/51](#) [GBPC2502-E4/51](#) [GBPC2502W-E4/51](#) [GBPC2504-E4/51](#)  
[GBPC2504W-E4/51](#) [GBPC2506-E4/51](#) [GBPC2506W-E4/51](#) [GBPC2508-E4/51](#) [GBPC2508W-E4/51](#) [GBPC2510-](#)  
[E4/51](#) [GBPC2510W-E4/51](#) [GBPC35005-E4/51](#) [GBPC35005W-E4/51](#) [GBPC3501-E4/51](#) [GBPC3501W-E4/51](#)  
[GBPC3502-E4/51](#) [GBPC3502W-E4/51](#) [GBPC3504-E4/51](#) [GBPC3504W-E4/51](#) [GBPC3506-E4/51](#) [GBPC3506W-](#)  
[E4/51](#) [GBPC3508-E4/51](#) [GBPC3508W-E4/51](#)