

Electrical / Environmental

HM65

High Current Low Profile Surface Mount Inductors

- Operating Temperature Range -40°C to +130°C
- Ambient Temperature, Maximum 80°C
- Insulation System Class F, 155°C
- Operating Frequency Up to 3MHz

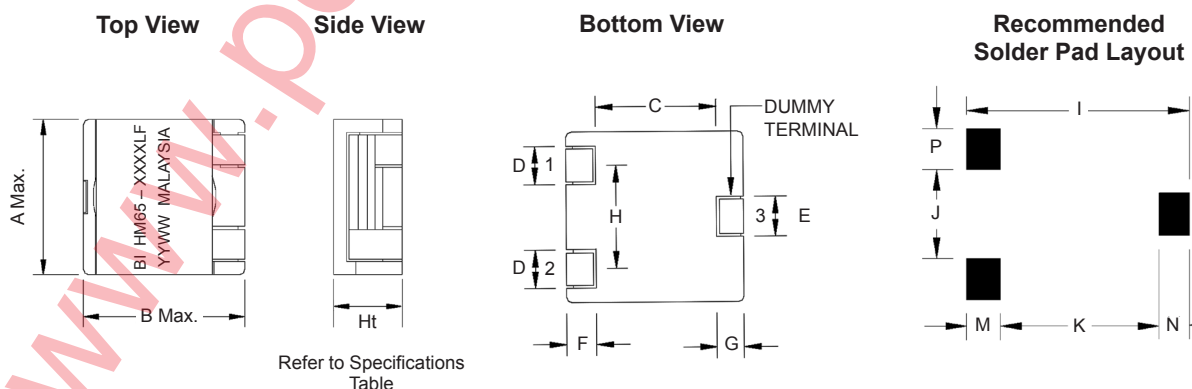


Specifications / Packaging

Part Number	Inductance ⁽¹⁾		Rated DC Current ⁽²⁾		Heating Current ⁽³⁾ (Amps)	DC Resistance ⁽⁴⁾		Case Size	Ht Height mm Max.	13" Reel Qty (Units)
	Nominal µH ± 20%		25°C	130°C		mΩ Typ.	mΩ Max.			
HM65-H1R0LF	1.0		20.0	13.5	19.9	1.7	2.5	Standard	5.6	400
HM65-H1R8LF	1.8		15.3	11.5	15.2	2.9	3.4	Standard	5.6	400
HM65-H2R8LF	2.8		12.3	10.5	12.1	4.6	5.4	Standard	5.6	400
HM65-H3R9LF	3.9		10.5	8.3	11.4	5.2	8.0	Standard	5.6	400
HM65-H4R0LF	4.0		10.3	8.0	11.4	5.2	8.0	Standard	5.6	400
HM65-H5R6LF	5.6		8.8	7.5	8.1	10.2	11.4	Standard	5.6	400
HM65-H6R0LF	6.0		8.0	6.5	8.1	10.2	11.4	Standard	5.6	400
HM65-H7R2LF	7.2		7.8	6.0	7.8	11.4	13.5	Standard	6.0	400
HM65-1R5LF	1.5		14.0	10.5	17.1	1.7	2.5	Standard	5.6	400
HM65-2R5LF	2.5		10.0	8.0	15.2	2.9	3.4	Standard	5.6	400
HM65-6R0LF	6.0		6.7	4.5	11.5	5.1	8.0	Standard	5.6	400
HM65-8R2LF	8.2		5.8	4.5	8.1	10.2	11.4	Standard	5.6	400
HM65-100LF	10.0		5.0	4.0	7.8	11.3	13.5	Standard	5.6	400
HM65-P1R0LF	1.0		20.0	20.0	19.9	1.7	2.5	Standard	6.0	400
HM65-P1R2LF	1.2		18.0	18.0	19.9	1.7	2.5	Standard	6.0	400
HM65-P1R8LF	1.8		16.0	16.0	15.2	2.9	3.4	Standard	6.0	400
HM65-P2R5LF	2.5		10.0	10.0	15.2	2.9	3.4	Standard	6.0	400
HM65-M0R5LF	0.5		29.0	24.0	16.3	1.8	2.2	Mini	5.6	500
HM65-M0R8LF	0.8		20.0	16.0	16.3	1.8	2.2	Mini	5.6	500
HM65-M2R5LF	2.5		12.0	10.0	9.3	5.5	6.0	Mini	5.6	500

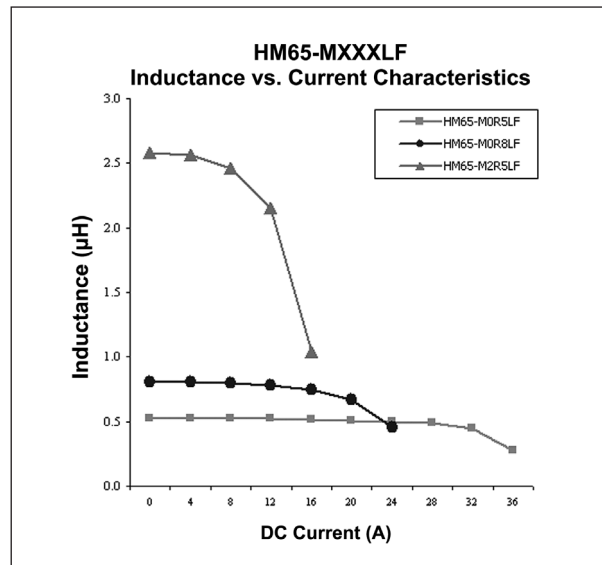
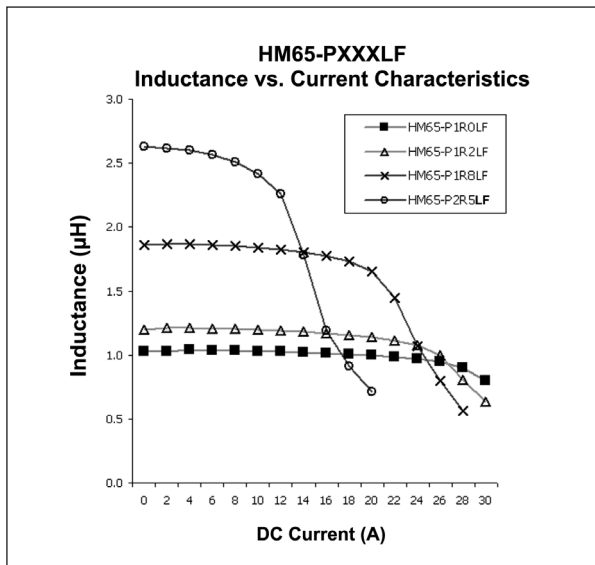
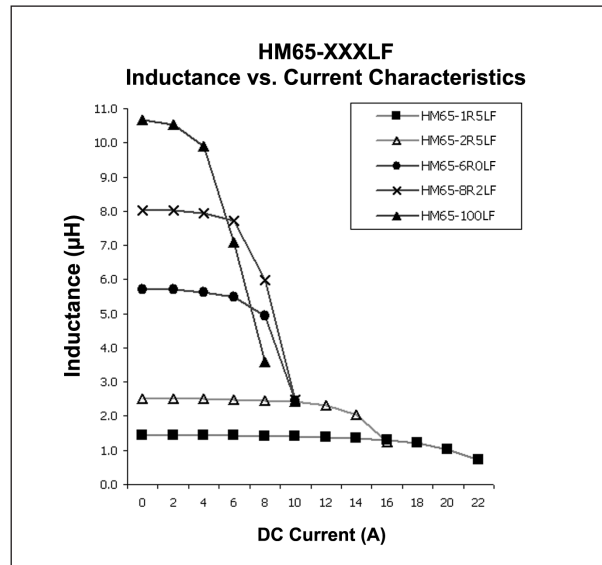
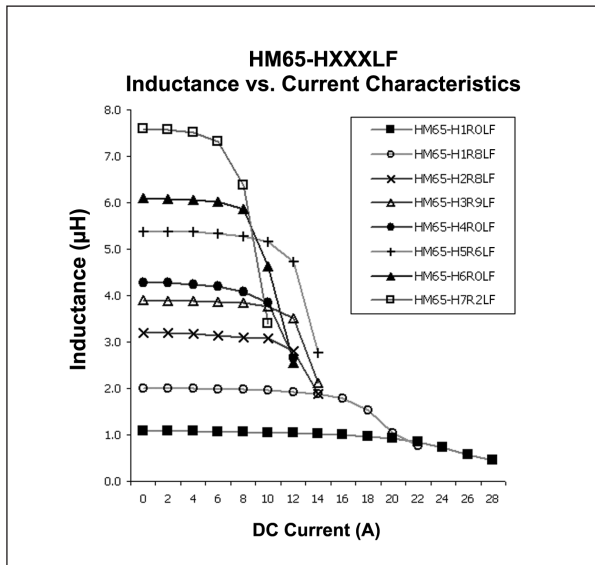
- Notes: (1) Inductance is measured at 100kHz, 0.1V without DC current.
(2) Rated DC current is the approximate current at which inductance will be decreased by 25% from its initial (zero DC) value.
(3) Heating current is the DC current which causes the inductor temperature to increase by approximately 40°C.
(4) DC resistance is measured at 25°C.

Outline Dimensions (mm)



Case Size	A	B	C	D	E	F	G	H	I	J	K	L	M	N	P
Standard	12.5	13.5	7.3	2.6	2.6	2.6	2.6	7.4	13.9	4.4	6.9	3.0	3.8	3.2	3.0
Mini	10.4	10.4	6.7	2.6	1.5	2.3	1.1	5.5	10.8	2.5	6.5	1.8	2.8	1.5	3.0

Electrical Characteristics @ 25°C



Ordering Information

HM65 - H 1R0 LF TR13

Model Series: HM65

Type: H = High Current
P = Premium Core Material
M = Mini-Package

Inductance Code: 1R0
First 2 digits are significant. Last digit denotes the number of trailing zeros. For values below 10µH, "R" denotes the decimal point

Lead-Free

TR - Tape & Reel Packing
13 - 13" reel