



Applications

For all general purposes in military applications

Standards

MIL-C 26482 series II
QPL approved



Description

- Standard version
- Aluminium alloy
olive green, nickel or, black, anodized plating
- Bayonet coupling
- RFI shielding plug
- Gold plating crimp contacts # 20, 16, and # 12
- # 16 and # 12 minicoaxial or thermocouple contacts
- Hermetic version available
- Light weight backshells

Characteristics

Mechanical

- Endurance : 500 operations
- Plug MS 3475 : 250 operations.
- Plug MS 3476 : 500 operations.
- Shock : 300g - 3ms in three axes.
- Vibration : MIL STD 202, method 214, test condition II, letter J (50 - 2000Hz; 41,7 g eff.)
- Contact retention in insert :
size 20 : 90 N - size 16 : 111N - size 12 : 133N

Electrical

- Max. current rating per contact

| | environmental class | hermetic class |
|---------|---------------------|----------------|
| size 20 | 7,5 A | 5 A |
| size 16 | 13 A | 10 A |
| size 12 | 23 A | 17 A |

- Contact resistance

| | environmental class | hermetic class |
|---------|---------------------|----------------|
| size 20 | ≤ 1 mΩ | ≤ 7 mΩ |
| size 16 | ≤ 0,55 mΩ | ≤ 3,8 mΩ |
| size 12 | ≤ 0,35 mΩ | ≤ 2,4 mΩ |

- Insulation resistance :
≥ 5000 MΩ at 500 Vdc

- Dielectric withstanding voltage

| Service | I | II |
|-----------------|-----------|-----------|
| at ground level | 1500 Vrms | 2300 Vrms |
| at 21000 m | 375 Vrms | 550 Vrms |

- Shell continuity with plug MS 3475,
environmental receptacle ≤ 5 mΩ,
hermetic receptacle ≤ 50 mΩ

Climatical

- Operating temperature :
-55°C to + 200°C (class L)
-55°C to + 175°C (classes W and H)
- Damp heat : MIL STD 1344
method 1002 - Type II
- Salt spray :
class W : 500 hr
class L : 48 hr
- Leakage :
environmental version :
- when mated under a differential pressure of 1,03 bar. air leakage is ≤ 3,6 mm³ / h.
- low pressure immersion : 33 mbar
hermetic version :
- differential pressure of 1 bar air/helium, leakage is ≤ 2,8 mm³ / hr

Resistance to fluids

MIL. L 7808
MIL. L 23699
MIL. H 5606
Hydraulic fluids M 2 V
MIL. C 25769 diluted
MIL. A 8243
MIL. T 5624 (JP5)
MIL. G 3056
Solvents

Ordering information environmental connectors

| | |
|-------------------|---|
| basic series | MS 3470 W •• • P • |
| shell type | 3470 - square flange receptacle 3474 - jam nut receptacle 3475 - RFI shielded plug 3476 - plug |
| class and plating | W - olive green cadmium L - nickel |
| shell size | 8-10-12-14-16-18-20-22-24 |
| contact layout | - see table p 65 |
| contact type | P - male contact S - female contact A - less male contact B - less female contact |
| polarization | N - normal (not included in part number) W, X, Y and Z - see table p 66 |



Hermetic connectors

| | |
|------------------------|--|
| basic series | MS 3440 H •• C •• P • |
| shell type | 3440 - square flange receptacle 3443 - solder fixing receptacle 3449 - jam nut receptacle |
| class | H - hermetic |
| shell size | 8-10-12-14-16-18-20-22-24 |
| materials and terminal | C - steel, solder bucket |
| contact layout | see table p 65 |
| contact type | male only |
| polarization | N - normal (not included in part number) W, X, Y and Z - see table p 66 |

Backshells

| Backshell type | Plating | | | MIL.C 26482 G SERIE 2 | SOURIAU |
|--|---------|---|---|---------------------------------------|-------------------------------------|
| | A | W | N | | |
| Backnut | • | • | • | M85049-31-••A M85049-31-••W - | 852-31A•• 852-31W•• 852-31N•• |
| Straight cable clamp | • | • | • | M85049-52-1••A M85049-52-1••W - | 852-52A•• 852-52W•• 852-52N•• |
| Elbow cable clamp | • | • | • | M85049-51-1••A M85049-51-1••W - | 852-51A•• 852-51W•• 852-51N•• |
| Straight backshell for heatshrink sleeving | • | • | • | M85049-60-1A•• M85049-60-1W•• - | 852-60A•• 852-60W•• 852-60N•• |
| Backnut for heatshrink sleeving | • | • | • | - - - | 852-57A•• 852-57W•• 852-57N•• |

A - black anodized

W - olive green cadmium

N - nickel

Example : M85049-31-8A
 852-31A08
 └──┬──┘ shell size

Cross reference list

part number cross reference list SOURIAU and MIL.C 26482 G series 2

| MIL.C 26482 G serie 2 | SOURIAU | désignation |
|--|---|---|
| MS3470 W••-•• P <input type="checkbox"/> | 8526-0W••-•• P <input type="checkbox"/> | square flange receptacle with male contacts |
| MS3470 W••-•• A <input type="checkbox"/> | 8526-0W••-•• P <input type="checkbox"/> L | square flange receptacle less male contacts |
| MS3470 W••-•• S <input type="checkbox"/> | 8526-0W••-•• S <input type="checkbox"/> | square flange receptacle with female contacts |
| MS3470 W••-•• B <input type="checkbox"/> | 8526-0W••-•• S <input type="checkbox"/> L | square flange receptacle less female contacts |
| MS3474 W••-•• P <input type="checkbox"/> | 8526-7W••-•• P <input type="checkbox"/> | jam nut receptacle with male contacts |
| MS3474 W••-•• A <input type="checkbox"/> | 8526-7W••-•• P <input type="checkbox"/> L | jam nut receptacle less male contacts |
| MS3474 W••-•• S <input type="checkbox"/> | 8526-7W••-•• S <input type="checkbox"/> | jam nut receptacle with female contacts |
| MS3474 W••-•• B <input type="checkbox"/> | 8526-7W••-•• S <input type="checkbox"/> L | jam nut receptacle less female contacts |
| MS3475 W••-•• P <input type="checkbox"/> | 8526-5W••-•• P <input type="checkbox"/> | BFI shielded plug with male contacts |



| MIL. C 26482 G serie 2 | SOURIAU | désignation |
|---|--|---|
| MS3475 W ●●●● A □ MS3475 W ●●●● S □ MS3475 W ●●●● B □ MS3476 W ●●●● P □ MS3476 W ●●●● A □ MS3476 W ●●●● S □ MS3476 W ●●●● B □ MS3470 L ●●●● P □ MS3470 L ●●●● A □ MS3470 L ●●●● S □ MS3470 L ●●●● B □ MS3474 L ●●●● P □ MS3474 L ●●●● A □ MS3474 L ●●●● S □ MS3474 L ●●●● B □ MS3475 L ●●●● P □ MS3475 L ●●●● A □ MS3475 L ●●●● S □ MS3475 L ●●●● B □ MS3476 L ●●●● P □ MS3476 L ●●●● A □ MS3476 L ●●●● S □ MS3476 L ●●●● B □ | 8526-5W ●●●● P □ L 8526-5W ●●●● S □ 8526-5W ●●●● S □ L 8526-6W ●●●● P □ 8526-6W ●●●● P □ L 8526-6W ●●●● S □ 8526-6W ●●●● S □ L 8526-0L ●●●● P □ 8526-0L ●●●● P □ L 8526-0L ●●●● S □ 8526-0L ●●●● S □ L 8526-7L ●●●● P □ 8526-7L ●●●● P □ L 8526-7L ●●●● S □ 8526-7L ●●●● S □ L 8526-5L ●●●● P □ 8526-5L ●●●● P □ L 8526-5L ●●●● S □ 8526-5L ●●●● S □ L 8526-6L ●●●● P □ 8526-6L ●●●● P □ L 8526-6L ●●●● S □ 8526-6L ●●●● S □ L | RFI shielded plug less male contacts RFI shielded plug with female contacts RFI shielded plug less female contacts plug with male contact plug less male contact plug with female contact plug less female contact square flange receptacle with male contacts square flange receptacle less male contacts square flange receptacle with female contacts square flange receptacle less female contacts jam nut receptacle with male contacts jam nut receptacle less male contacts jam nut receptacle with female contacts jam nut receptacle less female contacts RFI shielded plug with male contacts RFI shielded plug less male contacts RFI shielded plug with female contacts RFI shielded plug less male contacts plug with male contact plug less male contact plug with female contact plug with less female contact |
| MS3440 H ●● C ●● P □ MS3443 H ●● C ●● P □ MS3449 H ●● C ●● P □ | 8526-2H ●●●● P □ 8526-1H ●●●● P □ 8526-7H ●●●● P □ | hermetic square flange receptacle hermetic solder fixing receptacle hermetic jam nut receptacle |
| M85049/31- ●● W M85049/52-1- ●● W M85049/51-1- ●● W M85049/60-1W- ●● M85049/60-2G- ●● A M85049/31- ●● A M85049/52-1- ●● A M85049/51-1- ●● A M85049/60-1A ●● M85049/60-2G- ●● A M85049/31- ●● N M85049/52-1- ●● N M85049/51-1- ●● N M85049/60-1N ●● M85049/60-2G- ●● N | 852-31W ●● 852-52W ●● 852-51W ●● 852-60W ●● *852-57W ●● 852-31A ●● 852-52A ●● 852-51A ●● 852-60A ●● *852-57A ●● *852-31N ●● *852-52N ●● *852-51N ●● *852-60N ●● *852-57N ●● | backnut straight cable clamp elbow cable clamp backshell for heatshrink sleeving backnut for heatshrink sleeving backnut straight cable clamp elbow cable clamp backshell for heatshrink sleeving backnut for heatshrink sleeving backnut straight cable clamp elbow cable clamp backshell for heatshrink sleeving backnut for heatshrink sleeving |
| M39029/4-110 M39029/4-111 M39029/4-113 M39029/5-115 M39029/5-116 M39029/5-118 M39029/9-135 M39029/9-134 M39029/10-141 M39029/10-140 M39029/8-001 M39029/7-001 | 8522-2253A 8522-330A 8522-331A 8520-289 8522-486A 8522-487B *8522-875A *8522-876A *8522-877A *8522-878A *8522-12-1-001 *8522-12-2-001 | male contact ≠ 20 male contact ≠ 16 male contact ≠ 12 female contact ≠ 20 female contact ≠ 16 female contact ≠ 12 thermocouple contacts male-chromel ≠ 20 male-alumel ≠ 20 female-chromel ≠ 20 female-alumel ≠ 20 coax contacts ≠ 12 female for RG178B/U cable male for RG178B/U cable |
| MS27488-20 MS27488-16 MS27488-12 M81969-14-02 M81696-14-03 M81696-14-04 | 8522-389A 8522-390A 8522-391A 8522-20 8522-16 8522-12 | filler plug ≠ 20 filler plug ≠ 16 filler plug ≠ 12 plastic tool for contact ≠ 20 plastic tool for contact ≠ 16 plastic tool for contact ≠ 12 |



Contacts layouts

viewed from front face of male insulator

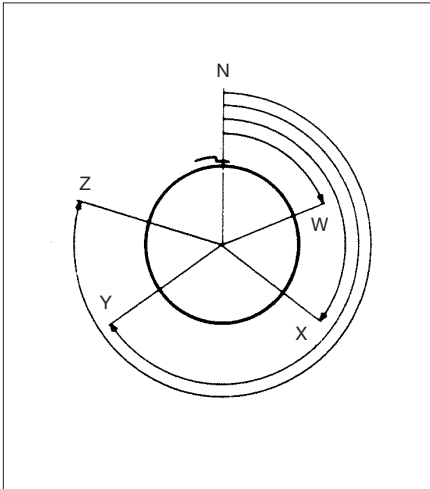
| shells | | | | | | | | |
|---------------------------------|--------|---------|-------------------|---------|---------|-------------------|--------------------|---------|
| 08 | 10 | 12 | 14 | 16 | 18 | 20 | 22 | 24 |
| 8-33* | 10-6* | 12-10* | 14-19* | 16-26* | 18-32* | 20-41* | 22-55* | 24-61* |
| | | | | | | | | |
| 3 ≠ 20 | 6 ≠ 20 | 10 ≠ 20 | 19 ≠ 20 | 26 ≠ 20 | 32 ≠ 20 | 41 ≠ 20 | 55 ≠ 20 | 61 ≠ 20 |
| 8-98 | | 12-3* | 14-15* | 16-8* | 18-11* | 20-39 | 22-41* | 24-31 |
| | | | | | | | | |
| 3 ≠ 20 | | 3 ≠ 16 | 14 ≠ 20 1 ≠ 16 | 8 ≠ 16 | 11 ≠ 16 | 37 ≠ 20 2 ≠ 16 | 27 ≠ 20 14 ≠ 16 | 31 ≠ 16 |
| | | | 14-12* | | 18-8 | 20-16* | 22-21* | 24-19 |
| | | | | | | | | |
| | | | 8 ≠ 20 4 ≠ 16 | | 8 ≠ 12 | 16 ≠ 16 | 21 ≠ 16 | 19 ≠ 12 |
| | | | 14-5* | | | | 22-12 | |
| | | | | | | | | |
| | | | 5 ≠ 16 | | | | 12 ≠ 12 | |
| | | | 14-4* | | | | | |
| | | | | | | | | |
| | | | 4 ≠ 12 | | | | | |
| * hermetic receptacle available | | | | | | | | |

* hermetic not QPL to date



Polarization

Insulator rotated inside metal body



| shell size | contacts layouts | service I | service II | number of contacts | | | angles in degrees | | | | | |
|------------|------------------|-----------|------------|--------------------|--------------|--------------|-------------------|-----|-----|-----|-----|---|
| | | | | size 20 Ø1 | size 16 Ø1,6 | size 12 Ø2,4 | N | W | X | Y | Z | |
| 8 | 8-33 | X | | 3 | | | 0 | 90 | - | - | - | - |
| | 8-96 | X | | 3 | | | 0 | - | - | - | - | - |
| 10 | 10-6 | X | | 6 | | | 0 | 90 | - | - | - | - |
| 12 | 12-10 | X | | 10 | | | 0 | 60 | 155 | 270 | 295 | - |
| | 12-3 | | X | | 3 | | 0 | - | - | 180 | - | - |
| 14 | 14-19 | X | | 19 | | | 0 | 30 | 165 | 315 | - | - |
| | 14-15 | X | | 14 | 1 | | 0 | 17 | 110 | 155 | 234 | - |
| | 14-12 | X | | 8 | 4 | | 0 | 43 | 90 | - | - | - |
| | 14-5 | | X | | 5 | | 0 | 40 | 92 | 184 | 273 | - |
| | 14-4 | X | X | | | | 0 | 45 | - | - | - | - |
| 16 | 16-26 | X | | 26 | | | 0 | 60 | - | 275 | 338 | - |
| | 16-8 | | X | | 8 | | 0 | 54 | 152 | 180 | 331 | - |
| 18 | 18-32 | X | | 32 | | | 0 | 85 | 138 | 222 | 265 | - |
| | 18-11 | | X | | 11 | | 0 | 62 | 119 | 241 | 340 | - |
| | 18-8 | X | | | | 8 | 0 | 180 | - | - | - | - |
| 20 | 20-41 | X | | 41 | | | 0 | 45 | 126 | 225 | - | - |
| | 20-39 | X | | 37 | 2 | | 0 | 63 | 144 | 252 | 333 | - |
| | 20-16 | | X | | 16 | | 0 | 238 | 318 | 333 | 347 | - |
| 22 | 22-55 | X | | 55 | | | 0 | 30 | 142 | 226 | 314 | - |
| | 22-41 | X | | 27 | 14 | | 0 | 39 | 135 | 264 | - | - |
| | 22-21 | | X | | 21 | | 0 | 16 | 135 | 175 | 349 | - |
| | 22-12 | X | X | | | 12 | 0 | - | - | - | - | - |
| 24 | 24-61 | X | | 61 | | | 0 | 90 | 180 | 270 | 324 | - |
| | 24-31 | X | | | 31 | | 0 | 90 | 225 | 255 | - | - |
| | 24-19 | | X | | | 19 | 0 | 30 | 165 | 315 | - | - |

Contacts

| Contacts size | 20 (Ø1mm) | 16 (Ø1,6mm) | 12 (Ø2,4mm) |
|---|---------------------------|--------------------------|--------------------------|
| Cable accommodation (admissible section) | | | |
| external Ø over insulator | 0,98/2,11 mm | 1,34/2,62 mm | 2,45/4,01 mm |
| admissible section | 0,21/0,60 mm ² | 0,60/1,34mm ² | 1,91/3,18mm ² |
| wire gauge | 24/20 | 20/16 | 14/12 |
| reducing sleeve for wire of | 0,09/0,21 mm ² | - | - |
| | 28/24 | - | - |
| part numbers | | | |
| - male contacts | M39029/4-110 | M39029/4-111 | M39029/4-112 |
| colour code | brown-brown-black | brown-brown-brown | brown-brown-orange |
| - female contacts | M39029/5-115 | M39029/5-116 | M39029/5-118 |
| colour code | brown-brown-green | brown-brown-blue | brown-brown-grey |
| - male contacts chromel thermocouple | 8522-875 A | 8522-881 | 8522-887 |
| colour code | brown-orange-green | yellow | yellow |
| - alumel thermocouple | 8522-876 A | 8522-882 | 8522-888 |
| colour code | brown-orange-yellow | black | black |
| - female contacts chromel thermocouple | 8522-877 A | 8522-883 | 8522-889 |
| colour code | brown-yellow-brown | yellow | yellow |
| - alumel thermocouple | 8522-878 A | 8522-884 | 8522-890 |
| colour code | brown-yellow-black | black | black |
| reducing sleeve | 8522-2142 | | |

Minicoax contacts

installed instead of size 16 contacts

| male contacts | 8526-2-001 A | 8526-2-002 A | 8526-2-003 A |
|-----------------|-----------------|--------------------|--------------|
| | | | |
| female contacts | 8526-1-001 A | 8526-1-002 A | 8526-1-003 A |
| | | | |
| cables accepted | RG-316U-KX 22 A | RG-178 B/U-KX 21 A | RG 179 B/U |

Coax contacts

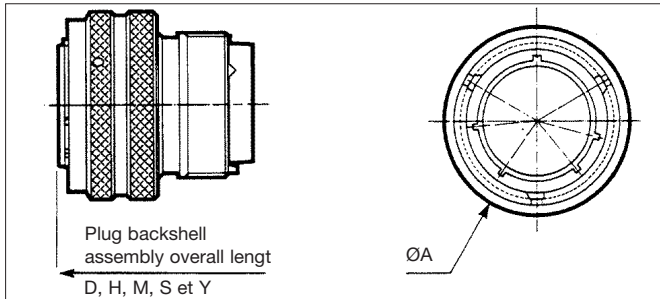
installed instead of size 12 contacts

| male contacts | 8526-12-2-001 | 8526-12-2-002 | 8526-12-2-003 | 8526-12-2-004 |
|-----------------|---------------|---------------|---------------|---------------|
| | | | | |
| female contacts | 8526-12-1-001 | 8526-12-1-002 | 8526-12-1-003 | 8526-12-1-004 |
| | | | | |
| cables accepted | RG 178 B/U | RG 179 B/U | RG 316 U | RG 180 B/U |



Dimensions

Plug MS3475 and MS3476



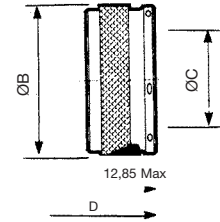
| shells | A | B Max | C | D Max | E min | E Max | F Max | G Max | H Max |
|--------|----------------|----------------|----------------|---------------|---------------|---------------|---------------|----------------|----------------|
| 08 | 18.95 .746 | 15.65 .616 | 6.75 .266 | 36.5 1.437 | 3.2 .126 | 5.2 .205 | 19.1 .752 | 22.65 .892 | 46.1 1.815 |
| 10 | 22.65 .892 | 18.6 .732 | 9.4 .370 | 36.5 1.437 | 4.75 .187 | 7.25 .285 | 21.1 .831 | 24.45 .963 | 47.59 2.669 |
| 12 | 25.75 1.014 | 21.75 .856 | 12.8 .504 | 36.5 1.014 | 7.4 .856 | 10.6 .504 | 25.1 1.437 | 27.85 1.096 | 51.3 2.138 |
| 14 | 29.75 1.171 | 24.95 .982 | 14.75 .581 | 36.5 1.437 | 8.9 .350 | 12.1 .476 | 26.6 1.047 | 27.85 1.096 | 51.3 2.394 |
| 16 | 32.95 1.297 | 28.2 1.110 | 17.93 .706 | 36.5 1.437 | 12.75 .502 | 15.9 .626 | 33.5 1.319 | 30.85 1.215 | 54.3 2.138 |
| 18 | 35.35 1.392 | 30.9 1.217 | 19.94 .785 | 36.5 1.437 | 13.15 .518 | 17.9 .705 | 36.9 1.453 | 37.85 1.490 | 60.8 2.394 |
| 20 | 38.75 1.526 | 34.15 1.344 | 23.11 .910 | 36.5 1.437 | 14.75 .581 | 21.1 .831 | 39.5 1.555 | 40.45 1.593 | 63.9 2.516 |
| 22 | 41.85 1.648 | 37.25 1.467 | 26.29 1.035 | 36.5 1.437 | 16.35 .644 | 24.3 .957 | 42 1.654 | 44.35 1.746 | 67.8 2.669 |
| 24 | 45.05 1.774 | 40.45 1.593 | 29.2 1.150 | 36.5 1.437 | 17.95 .707 | 27.5 1.083 | 45.1 1.776 | 46.75 1.841 | 70.2 2.764 |

| shells | J Max | K min | K Max | L Max | M Max | N mini | O Max | P | Q Max |
|--------|---------------|---------------|---------------|----------------|---------------|----------------|----------------|-------------|--------------|
| 08 | 20.5 .807 | 3.2 .126 | 5.2 .205 | 27.6 1.087 | 52.2 2.055 | 6.75 .266 | 13.5 .531 | 3.3 .130 | 10.6 .417 |
| 10 | 22 .866 | 4.75 .185 | 7.25 .285 | 29.3 1.154 | 53.9 2.122 | 9.4 .370 | 15.35 .604 | 3.3 .130 | 10.6 .417 |
| 12 | 23.6 .929 | 7.4 .291 | 10.6 .417 | 31.9 1.256 | 56.5 2.224 | 12.8 .504 | 19.65 .774 | 3.3 .130 | 10.6 .417 |
| 14 | 25.2 .992 | 8.9 .350 | 12.1 .476 | 33.4 1.315 | 58 2.283 | 14.75 .581 | 21.25 .837 | 3.3 .130 | 10.6 .417 |
| 16 | 26.8 1.055 | 12.75 .502 | 15.9 .626 | 37.3 1.469 | 61.9 2.437 | 17.93 .706 | 24.45 .963 | 3.3 .130 | 10.6 .417 |
| 18 | 31.3 1.232 | 13.15 .518 | 17.9 .705 | 38.7 1.524 | 63.3 2.492 | 19.94 .785 | 26.45 1.041 | 3.3 .130 | 10.6 .417 |
| 20 | 32.9 1.295 | 14.75 .581 | 21.1 .831 | 40.25 1.585 | 64.9 2.555 | 23.11 .910 | 30.9 1.217 | 3.3 .130 | 10.6 .417 |
| 22 | 34.5 1.358 | 16.35 .644 | 24.3 .957 | 41.9 1.650 | 66.5 2.618 | 26.29 1.035 | 34.4 1.354 | 3.3 .130 | 10.6 .417 |
| 24 | 36.1 1.421 | 17.95 .707 | 27.5 1.083 | 43.5 1.713 | 68.1 2.681 | 29.2 1.150 | 36.65 1.443 | 3.3 .130 | 10.6 .417 |

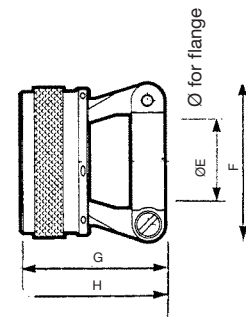
| shells | R Max | S Max | T Max | U Max | V | W Max | X Max | Y Max |
|--------|----------------|-------------|---------------|----------------|----------------|--------------|--------------|---------------|
| 08 | 28.55 1.124 | 52 2.047 | 13.72 .540 | 6.75 .266 | 17.48 .688 | 3.3 .130 | 10.5 .413 | 37.4 1.472 |
| 10 | 28.55 1.124 | 52 2.047 | 13.72 .540 | 9.4 .370 | 20.4 .803 | 3.3 .130 | 10.5 .413 | 37.4 1.472 |
| 12 | 28.55 1.124 | 52 2.047 | 13.72 .540 | 12.8 .504 | 23.83 .938 | 3.3 .130 | 10.5 .413 | 37.4 1.472 |
| 14 | 28.55 1.124 | 52 2.047 | 13.72 .540 | 14.75 .581 | 27 1.063 | 3.3 .130 | 10.5 .413 | 37.4 1.472 |
| 16 | 28.55 1.124 | 52 2.047 | 13.72 .540 | 17.93 .706 | 31.45 1.238 | 3.3 .130 | 10.5 .413 | 37.4 1.472 |
| 18 | 28.55 1.124 | 52 2.047 | 13.72 .540 | 19.94 .785 | 33.27 1.310 | 3.3 .130 | 10.5 .413 | 37.4 1.472 |
| 20 | 28.55 1.124 | 52 2.047 | 13.72 .540 | 23.11 .910 | 36.47 1.436 | 3.3 .130 | 10.5 .413 | 37.4 1.472 |
| 22 | 28.55 1.124 | 52 2.047 | 13.72 .540 | 26.29 1.035 | 39.62 1.560 | 3.30 .130 | 10.5 .413 | 37.4 1.472 |
| 24 | 28.55 1.124 | 52 2.047 | 13.72 .540 | 29.2 1.150 | 42.82 1.686 | 3.3 .130 | 10.5 .413 | 37.4 1.472 |

Backshells

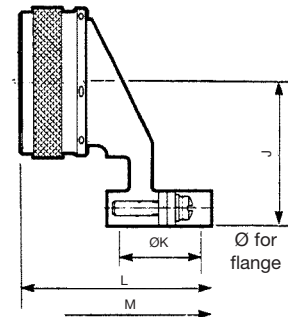
backnut
type 31



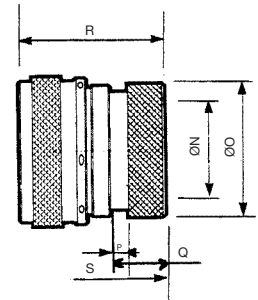
Straight
cable clamp
type 52-1



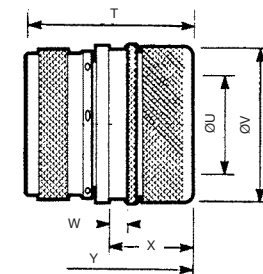
elbow
cable clamp
type 51-1



for heatshrink
sleeving
type 60-1

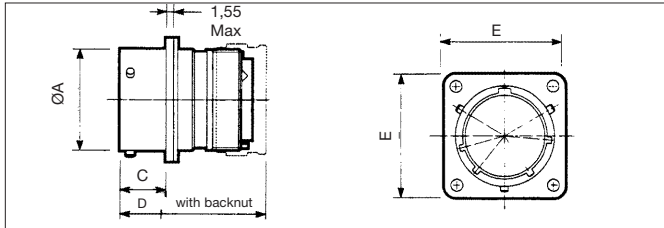


backnut for
heatshrink
sleeving
type 60-2

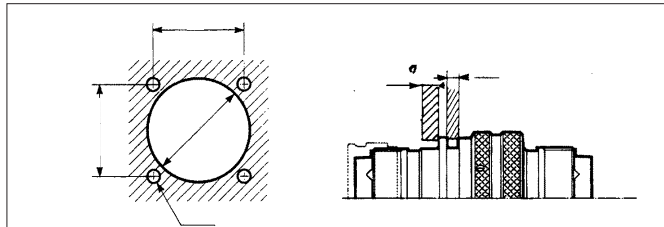




environmental square flange receptacle MS3470

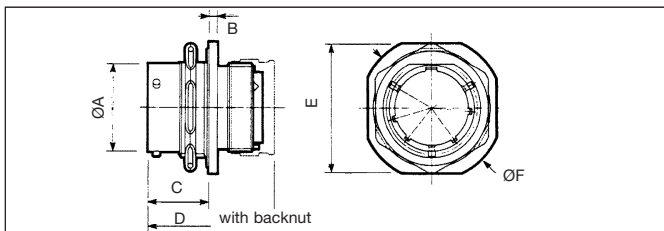


panel cut-out

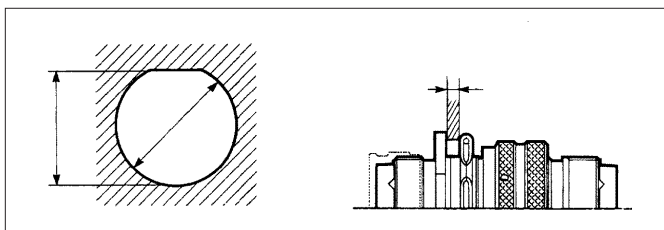


| shells | A Max | B Max | C Max | D Max | E Max | F | G | H | J Max | K Max |
|--------|----------------|--------------|---------------|---------------|----------------|----------------|----------------|--------------|--------------|--------------|
| 08 | 12.03 .474 | 1.95 .077 | 11.7 .461 | 36.5 1.437 | 21 .827 | 15.09 .594 | 14.43 .568 | 3.05 .120 | 3.17 .125 | 2.21 .087 |
| 10 | 15.01 .591 | 1.95 .077 | 11.7 .461 | 36.5 1.437 | 24.2 .953 | 18.26 .719 | 17.4 .685 | 3.05 .120 | 3.17 .125 | 2.21 .087 |
| 12 | 19.07 .751 | 1.95 .077 | 11.7 .461 | 36.5 1.437 | 26.55 1.045 | 20.62 .812 | 21.95 .864 | 3.05 .120 | 3.17 .125 | 2.21 .087 |
| 14 | 22.25 .876 | 1.95 .077 | 11.7 .461 | 36.5 1.437 | 28.9 1.138 | 23.01 .906 | 25.12 .989 | 3.05 .120 | 3.17 .125 | 2.21 .087 |
| 16 | 25.42 1.001 | 1.95 .077 | 11.7 .461 | 36.5 1.437 | 31.3 1.232 | 24.61 .969 | 28.27 1.113 | 3.05 .120 | 3.17 .125 | 2.21 .087 |
| 18 | 28.6 1.126 | 1.95 .077 | 11.7 .461 | 36.5 1.437 | 33.7 1.327 | 26.97 1.062 | 31.45 1.238 | 3.05 .120 | 3.17 .125 | 2.21 .087 |
| 20 | 31.77 1.251 | 2.75 .108 | 14.35 .565 | 38.1 1.500 | 36.9 1.453 | 29.36 1.156 | 34.62 1.363 | 3.05 .120 | 3.17 .125 | 5.38 .212 |
| 22 | 34.95 1.376 | 2.75 .108 | 14.35 .565 | 38.1 1.500 | 40 1.575 | 31.75 1.250 | 37.8 1.488 | 3.05 .120 | 3.17 .125 | 5.38 .212 |
| 24 | 38.12 1.501 | 2.75 .108 | 15.2 .598 | 38.1 1.500 | 43.3 1.705 | 34.92 1.375 | 41.02 1.615 | 3.73 .147 | 3.17 .125 | 5.38 .212 |

environmental jam nut receptacle MS3474

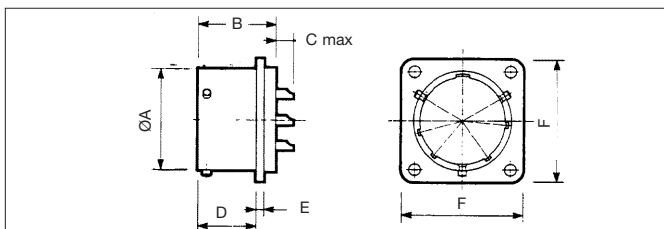


panel cut-out

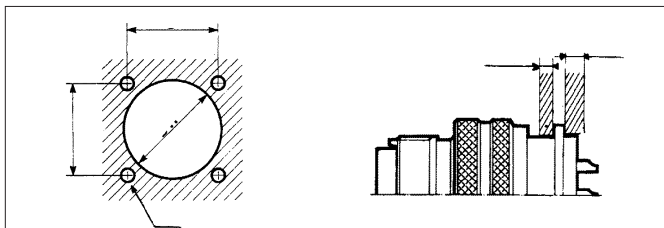


| shells | A Max | B Max | C Max | D Max | E Max | F Max | G | H | J Max |
|--------|----------------|--------------|---------------|---------------|----------------|----------------|----------------|----------------|--------------|
| 8 | 12.03 .474 | 2.51 .099 | 17.55 .691 | 36.5 1.437 | 24.05 .947 | 27.2 1.071 | 14.53 .572 | 13.61 .536 | 4.75 .187 |
| 10 | 15.01 .591 | 2.51 .099 | 17.55 .691 | 36.5 1.437 | 27.2 1.071 | 30.4 1.197 | 17.7 .697 | 16.79 .661 | 4.75 .187 |
| 12 | 19.07 .751 | 2.51 .099 | 17.55 .691 | 36.5 1.437 | 32 1.260 | 35.15 1.384 | 22.73 .895 | 20.93 .824 | 4.75 .187 |
| 14 | 22.25 .876 | 2.51 .099 | 17.55 .691 | 36.5 1.437 | 35.15 1.384 | 38.35 1.510 | 25.65 1.010 | 24.08 .948 | 4.75 .187 |
| 16 | 25.42 1.001 | 2.51 .099 | 17.55 .691 | 36.5 1.437 | 38.35 1.510 | 41.5 1.634 | 28.83 1.135 | 27.23 1.072 | 4.75 .187 |
| 18 | 28.6 1.126 | 2.51 .099 | 17.55 .691 | 36.5 1.437 | 41.5 1.634 | 44.7 1.760 | 32 1.260 | 30.4 1.197 | 4.75 .187 |
| 20 | 31.77 1.251 | 3.3 .130 | 19.15 .754 | 38.1 1.500 | 46.25 1.821 | 49.45 1.947 | 35.18 1.385 | 33.58 1.322 | 6.35 .250 |
| 22 | 34.95 1.376 | 3.3 .130 | 19.15 .754 | 38.1 1.500 | 49.45 1.947 | 52.6 2.071 | 38.35 1.510 | 36.75 1.447 | 6.35 .250 |
| 24 | 38.12 1.501 | 3.3 .130 | 19.15 .754 | 38.1 1.500 | 52.6 2.071 | 55.8 2.197 | 41.53 1.635 | 39.93 1.572 | 5.55 .219 |

Square flange hermetic receptacle MS3440



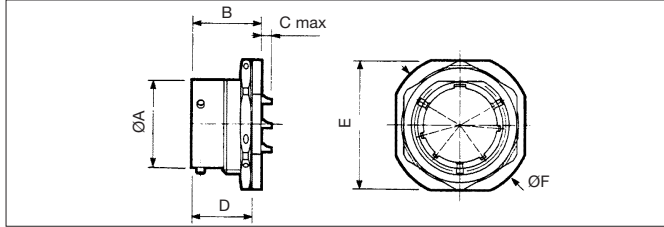
panel cut-out



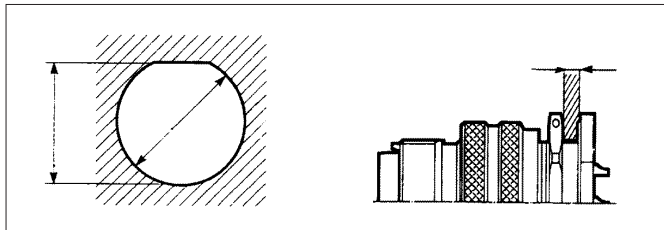
| shells | A Max | B Max | C Max # 20 | C Max # 12 # 16 | D Max | E Max | F Max | G | H | J | K Max | L Max |
|--------|----------------|---------------|-------------|-----------------|---------------|--------------|----------------|----------------|---------------|--------------|-------------|-------------|
| 8 | 12.05 .474 | 19.8 .780 | 4.5 .177 | - | 15.05 .593 | 1.95 .077 | 21 .827 | 15.1 .594 | 14.7 .612 | 3.15 .124 | 3.2 .126 | 3 .118 |
| 10 | 15 .591 | 19.8 .780 | 4.5 .177 | - | 15.05 .593 | 1.95 .077 | 24.2 .953 | 18.26 .719 | 17.5 .685 | 3.15 .124 | 3.2 .126 | 3 .118 |
| 12 | 19.05 .750 | 19.8 .780 | 4.5 .177 | 6.3 .248 | 15.05 .593 | 1.95 .077 | 26.55 1.045 | 20.62 .812 | 20.2 .872 | 3.15 .124 | 3.2 .126 | 3 .118 |
| 14 | 22.25 .876 | 19.8 .780 | 4.5 .177 | 6.3 .248 | 15.05 .593 | 1.95 .077 | 28.95 1.140 | 23.01 .906 | 23.4 1.246 | 3.15 .124 | 3.2 .126 | 3 .118 |
| 16 | 25.4 1.000 | 19.8 .780 | 4.5 .177 | 6.3 .248 | 15.05 .593 | 1.95 .077 | 31.3 1.232 | 24.61 .969 | 26.6 1.120 | 3.15 .124 | 3.2 .126 | 3 .118 |
| 18 | 28.6 1.126 | 19.8 .780 | 4.5 .177 | 6.3 .248 | 15.05 .593 | 1.95 .077 | 33.7 1.327 | 26.97 1.062 | 28.8 1.246 | 3.15 .124 | 3.2 .126 | 3 .118 |
| 20 | 31.75 1.250 | 20.95 .825 | 4.5 .181 | 6.3 .248 | 16.6 .654 | 2.4 .094 | 36.9 1.453 | 29.36 1.156 | 32.1 1.370 | 3.15 .124 | 3.2 .126 | 5.4 .213 |
| 22 | 34.95 1.376 | 21.8 .858 | 3.7 .146 | 5.45 .219 | 16.6 .654 | 2.4 .094 | 40.1 1.579 | 31.75 1.250 | 35.3 1.496 | 3.15 .124 | 3.2 .126 | 5.4 .213 |
| 24 | 38.1 1.500 | 21.8 .858 | 3.7 .146 | 5.45 .219 | 16.6 .654 | 2.4 .094 | 43.25 1.703 | 34.92 1.375 | 38.4 1.622 | 3.3 .130 | 3.2 .126 | 5.4 .213 |



jam nut hermetic receptacle MS3449

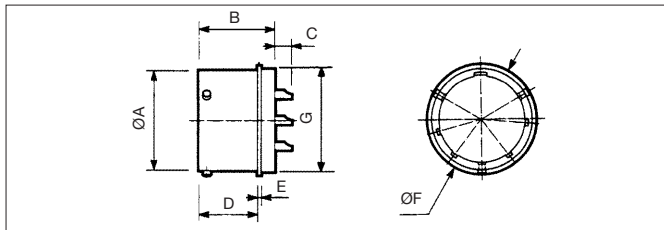


panel cut-out

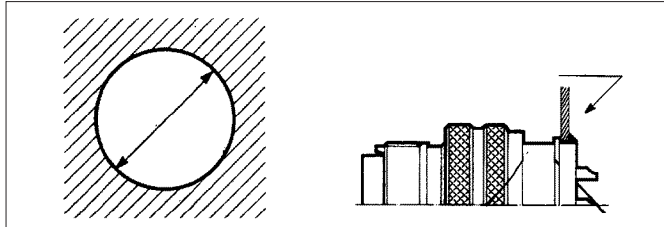


| shells | A | B | C Max | | D | E | F | G | H | J | |
|--------|-------|-------|-------|--------------|-------|-------|-------|-------|-------|------|------|
| | Max | Max | # 20 | # 12 # 16 | Max | Max | Max | | | min | Max |
| 8 | 12.05 | 20.73 | 3.4 | - | 17.91 | 24.2 | 27.34 | 14.6 | 13.75 | 1.57 | 4.75 |
| | .474 | .816 | .134 | - | .705 | .953 | 1.076 | .575 | .541 | .062 | .187 |
| 10 | 15 | 20.73 | 3.4 | - | 17.91 | 27.34 | 30.52 | 17.75 | 16.95 | 1.57 | 4.75 |
| | .591 | .816 | .134 | - | .705 | 1.076 | 1.202 | .699 | .667 | .062 | .187 |
| 12 | 19.05 | 20.73 | 3.4 | 5.2 | 17.91 | 32.12 | 35.29 | 22.5 | 20.99 | 1.57 | 4.75 |
| | .750 | .816 | .134 | .205 | .705 | 1.265 | 1.389 | .886 | .846 | .062 | .187 |
| 14 | 22.25 | 20.73 | 3.4 | 5.2 | 17.91 | 35.29 | 38.47 | 25.7 | 24.2 | 1.57 | 4.75 |
| | .876 | .816 | .134 | .205 | .705 | 1.389 | 1.515 | 1.012 | .953 | .062 | .187 |
| 16 | 25.4 | 20.73 | 3.4 | 5.2 | 17.91 | 38.47 | 41.64 | 28.85 | 27.35 | 1.57 | 4.75 |
| | 1.000 | .816 | .134 | .205 | .705 | 1.515 | 1.639 | 1.136 | 1.077 | .062 | .187 |
| 18 | 28.6 | 20.73 | 3.4 | 5.2 | 17.91 | 41.64 | 44.82 | 32.05 | 30.55 | 1.57 | 4.75 |
| | 1.126 | .816 | .134 | .205 | .705 | 1.639 | 1.765 | 1.262 | 1.203 | .062 | .187 |
| 20 | 31.75 | 23.08 | 2.5 | 4.3 | 19.5 | 46.39 | 49.59 | 35.2 | 33.7 | 1.57 | 6.35 |
| | 1.250 | .909 | .098 | .169 | .768 | 1.826 | 1.952 | 1.386 | 1.327 | .062 | .250 |
| 22 | 34.95 | 23.08 | 2.5 | 4.3 | 19.5 | 49.59 | 52.74 | 38.4 | 36.9 | 1.57 | 6.35 |
| | 1.376 | .909 | .098 | .169 | .768 | 1.952 | 2.076 | 1.512 | 1.453 | .062 | .250 |
| 24 | 38.1 | 23.83 | 1.75 | 3.55 | 19.5 | 52.74 | 55.92 | 41.55 | 40.05 | 1.57 | 6.35 |
| | 1.500 | .938 | .069 | .140 | .768 | 2.076 | 2.202 | 1.636 | 1.577 | .062 | .250 |

solder mounted hermetic receptacle MS3443



panel cut-out



| shells | A | B | C | | D | E | F | G | H |
|--------|-------|------|------|--------------|------|------|-------|-------|-------|
| | Max | Max | # 20 | # 16 # 12 | Max | Max | Max | | |
| 8 | 12.05 | 19.5 | 4.5 | - | 15.1 | 1.1 | 16.1 | 14.27 | 14.48 |
| | .474 | .768 | .177 | - | .594 | .043 | .634 | .562 | .570 |
| 10 | 15 | 19.5 | 4.5 | - | 15.1 | 1.1 | 19.3 | 17.06 | 17.27 |
| | .591 | .768 | .177 | - | .594 | .043 | .760 | .672 | .680 |
| 12 | 19.05 | 19.5 | 4.5 | 6.3 | 15.1 | 1.1 | 21.65 | 19.83 | 20.04 |
| | .750 | .768 | .177 | .248 | .594 | .043 | .852 | .781 | .789 |
| 14 | 22.25 | 19.5 | 4.5 | 6.3 | 15.1 | 1.1 | 24.85 | 23.01 | 23.22 |
| | .876 | .768 | .177 | .248 | .594 | .043 | .978 | .906 | .914 |
| 16 | 25.4 | 19.5 | 4.5 | 6.3 | 15.1 | 1.1 | 28 | 26.18 | 26.39 |
| | 1.000 | .768 | .177 | .248 | .594 | .043 | 1.102 | 1.031 | 1.039 |
| 18 | 28.6 | 19.5 | 4.5 | 6.3 | 15.1 | 1.1 | 31.15 | 29.36 | 29.57 |
| | 1.126 | .768 | .177 | .248 | .594 | .043 | 1.226 | 1.156 | 1.164 |
| 20 | 31.75 | 21.1 | 4.5 | 6.3 | 16.7 | 1.1 | 33.55 | 31.74 | 31.95 |
| | 1.250 | .831 | .177 | .248 | .657 | .043 | 1.321 | 1.250 | 1.258 |
| 22 | 34.95 | 22 | 3.7 | 5.5 | 16.7 | 1.1 | 36.75 | 34.92 | 35.13 |
| | 1.376 | .866 | .146 | .217 | .657 | .043 | 1.447 | 1.375 | 1.383 |
| 24 | 38.1 | 22 | 3.7 | 5.5 | 16.7 | 1.1 | 39.95 | 38.09 | 38.3 |
| | 1.500 | .866 | .146 | .217 | .657 | .043 | 1.573 | 1.500 | 1.508 |

Reusable fixing plate

two, three or four holes self locking fixing plates are available at SNC. See page 123.

gaskets

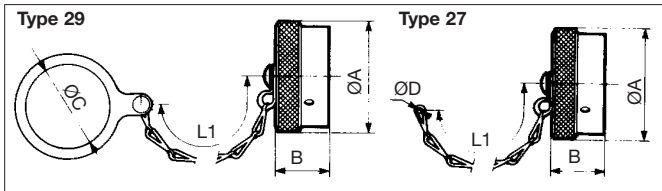
| shells | gaskets | O-ring |
|--------|---|--|
| | square flange receptacle MS3470 and MS3440 (ordered separately) | jam nut receptacle MS3474 and MS3449 (spare O-rings) |
| 8 | 8525-1431 | MS9068-016 |
| 10 | 8525-1432 | MS9068-018 |
| 12 | 8525-1433 | MS9068-021 |
| 14 | 8525-1434 | MS9068-023 |
| 16 | 8525-1435 | MS9068-025 |
| 18 | 8525-1436 | MS9068-027 |
| 20 | 8525-1437 | MS9068-029 |
| 22 | 8525-1438 | MS9068-030 |
| 24 | 8525-1439 | MS9068-031 |



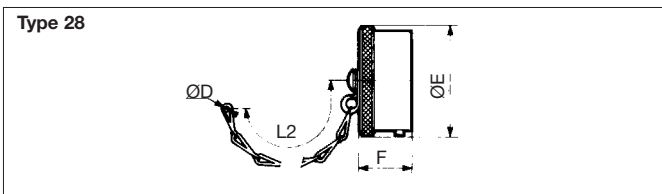
Protective caps

| | | | | |
|--------------|---|----|---|----|
| basic series | 852 | 28 | R | 10 |
| cap type | 28 - cap for plug 27 - cap for square flange receptacle 29 - cap for jam nut receptacle | | | |
| plating | W - olive green cadmium N - nickel R - black anodized | | | |
| shell size | 08-10-12-14-16-18-20-22-24 | | | |

Caps for receptacle

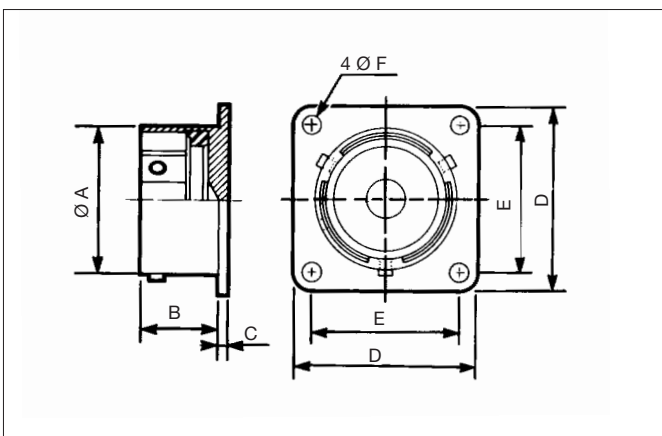


Caps for plug



| Shells | A Max | B Max | C Max | D | E Max | F Max | L1 | L2 |
|--------|---------------|---------------|---------------|-------------|---------------|-------------|--------------|--------------|
| 8 | 19 .748 | 14.25 .561 | 14.8 .583 | 3.5 .138 | 16.8 .661 | 15 .591 | 84 3.307 | 84 3.307 |
| 10 | 21.8 .858 | 14.25 .561 | 18 .709 | 3.5 .138 | 19.8 .78 | 15 .591 | 84 3.307 | 84 3.307 |
| 12 | 26.1 1.028 | 14.25 .561 | 22.7 .894 | 3.5 .138 | 23.9 .941 | 15 .591 | 100 3.937 | 100 3.937 |
| 14 | 29.3 1.154 | 14.25 .561 | 25.9 1.02 | 3.5 .138 | 27 1.063 | 15 .591 | 100 3.937 | 100 3.937 |
| 16 | 32.5 1.28 | 15 .591 | 29 1.142 | 3.5 .138 | 30.2 1.189 | 15 .591 | 100 3.937 | 100 3.937 |
| 18 | 35.3 1.39 | 15 .591 | 32.2 1.268 | 3.5 .138 | 33.4 1.315 | 15 .591 | 100 3.937 | 100 3.937 |
| 20 | 38.8 1.528 | 14.25 .561 | 35.4 1.394 | 3.5 .138 | 36.5 1.437 | 16.5 .65 | 116 4.567 | 116 4.567 |
| 22 | 42 1.654 | 15 .591 | 38.6 1.520 | 3.5 .138 | 39.8 1.567 | 16.5 .65 | 116 4.567 | 116 4.567 |
| 24 | 45.1 1.776 | 15.8 .622 | 41.7 1.642 | 3.5 .138 | 42.9 1.689 | 16.5 .65 | 116 4.567 | 116 4.567 |

Dummy receptacle



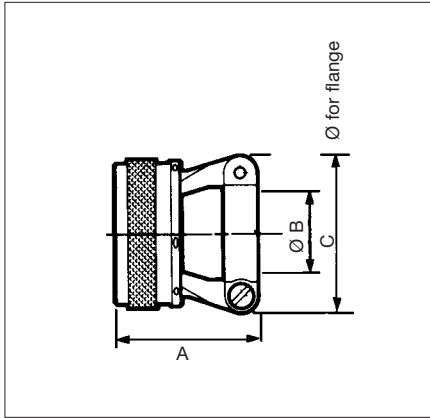
| Shells | Part number | | A Max | B Max | C | D Max | E | F |
|--------|-------------|------------|----------------|---------------|--------------|----------------|----------------|--------------|
| | olive green | nickel | | | | | | |
| 8 | 8526-0708 | 8526-07N08 | 12.03 .474 | 11.7 .461 | 1.35 .053 | 21 .827 | 15.09 .594 | 3.1 .122 |
| 10 | 8526-0710 | 8526-07N10 | 15.01 .591 | 11.7 .461 | 1.35 .053 | 24.2 .953 | 18.26 .719 | 3.1 .122 |
| 12 | 8526-0712 | 8526-07N12 | 19.07 .751 | 11.7 .461 | 1.35 .053 | 26.55 1.045 | 20.62 .812 | 3.1 .122 |
| 14 | 8526-0714 | 8526-07N14 | 22.25 .876 | 11.7 .461 | 1.35 .053 | 29 1.142 | 23.01 .906 | 3.1 .122 |
| 16 | 8526-0716 | 8526-07N16 | 25.42 1.001 | 11.7 .461 | 1.35 .053 | 31.3 1.232 | 24.61 .969 | 3.1 .122 |
| 18 | 8526-0718 | 8526-07N18 | 28.6 1.126 | 11.7 .461 | 1.35 .053 | 33.7 1.327 | 26.97 1.062 | 3.1 .122 |
| 20 | 8526-0720 | 8526-07N20 | 31.77 1.251 | 14.35 .565 | 2.15 .085 | 36.9 1.453 | 29.36 1.156 | 3.1 .122 |
| 22 | 8526-0722 | 8526-07N22 | 34.95 1.376 | 14.35 .565 | 2.15 .085 | 40 1.575 | 31.75 1.250 | 3.1 .122 |
| 24 | 8526-0724 | 8526-07N24 | 38.12 1.501 | 15.2 .598 | 2.15 .085 | 43.3 1.705 | 34.92 1.375 | 3.75 .148 |

Light weight and special backshells

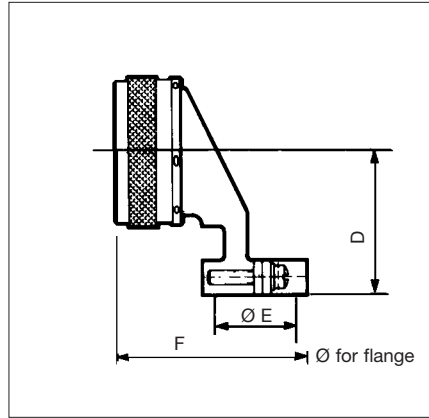
| | | | | |
|--------------|---|----|---|----|
| basic series | 852 | 02 | W | 10 |
| cap type | 02 - straight cable clamp 03 - elbow cable clamp 32 - backshell with shield termination and heatshrink sleeving | | | |
| plating | W - olive green cadmium N - nickel R - black anodized | | | |
| shell size | 08-10-12-14-16-18-20-22-24 | | | |



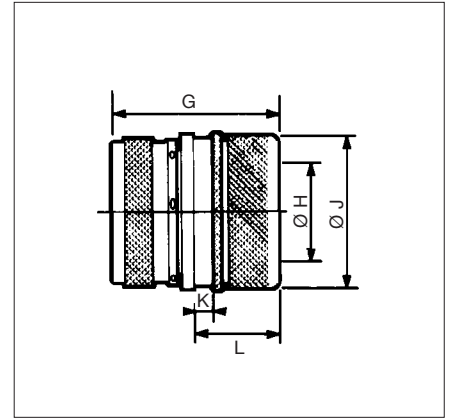
straight cable clamp type 02



elbow cable clamp type 03



backshell with shield termination and heatshrink sleeving type 32



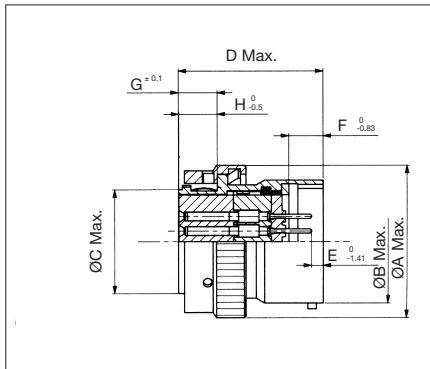
| Shells | A Max | B | | C Max | D Max | E | | F Max | G Max | H Max | J Max | K Max | L Max |
|--------|----------------|---------------|----------------|---------------|---------------|---------------|----------------|----------------|---------------|---------------|---------------|-------------|------------|
| | | mini | Max | | | mini | Max | | | | | | |
| 8 | 22.25 .876 | 4 .157 | 5.85 .230 | 19.1 .752 | 20 .787 | 4 .157 | 5.85 .230 | 25 .984 | 29 1.142 | 7.5 .295 | 18.2 .717 | 3.7 .146 | 15 .591 |
| 10 | 22.25 .876 | 6.85 .27 | 8.7 .343 | 20.3 .799 | 22.2 .874 | 6.85 .27 | 8.7 .343 | 27.9 1.098 | 29 1.142 | 9.7 .382 | 19.2 .756 | 3.7 .146 | 15 .591 |
| 12 | 22.25 .876 | 10.15 .400 | 12 .472 | 23.5 .925 | 24 .945 | 10.15 .400 | 12 .472 | 31.2 1.228 | 29 1.142 | 13 .512 | 24.2 .953 | 3.7 .146 | 15 .591 |
| 14 | 27.45 1.081 | 11.7 .461 | 16.75 .659 | 25.5 1.004 | 24.5 .965 | 11.7 .461 | 16.75 .659 | 32.8 1.291 | 29 1.142 | 15 .591 | 27.2 1.071 | 3.7 .146 | 15 .591 |
| 16 | 27.45 1.081 | 15.5 .610 | 20.55 .809 | 29.5 1.161 | 27 1.063 | 15.5 .610 | 20.55 .809 | 36.5 1.437 | 29 1.142 | 18.3 .720 | 30.2 1.189 | 3.7 .146 | 15 .591 |
| 18 | 27.45 1.081 | 17.5 .689 | 22.55 .888 | 32.3 1.272 | 28.6 1.126 | 17.5 .689 | 22.55 .888 | 38.5 1.516 | 29.3 1.154 | 21 .827 | 33.2 1.307 | 3.7 .146 | 15 .591 |
| 20 | 27.45 1.081 | 20.7 .815 | 25.75 1.014 | 36 1.417 | 30.1 1.185 | 20.7 .815 | 25.75 1.014 | 41.80 1.646 | 29.3 1.154 | 23.5 .925 | 36.3 1.429 | 3.7 .146 | 15 .591 |
| 22 | 27.45 1.081 | 23.9 .941 | 28.95 1.140 | 39 1.535 | 31.9 1.256 | 23.9 .941 | 28.95 1.140 | 45 1.772 | 29.3 1.154 | 26.5 1.043 | 39.5 1.555 | 3.7 .146 | 15 .591 |
| 24 | 27.45 1.081 | 27 1.063 | 32.05 1.262 | 42.7 1.681 | 33.4 1.315 | 27 1.063 | 32.05 1.262 | 48 1.890 | 29.3 1.154 | 30 1.181 | 42.6 1.677 | 3.7 .146 | 15 .591 |



Male - female Saver
Ordering information

| | | | | | | |
|-------------------|---|-----|----|----|----|----|
| basic series | SN 1206- **- | **- | S* | -* | -* | -* |
| shell size : | 08-10-12-14-16-18-20-22-24 | | | | | |
| contact layout : | standard # 20 contact layout | | | | | |
| contact type : | Pin / Socket (socket on locking ring side) | | | | | |
| Plating : | W - olive green N - black | | | | | |
| shielding : | B - with O - without | | | | | |
| blocking system : | B - heatshrink sleeve F - floating ring Q - without | | | | | |

Dimensions

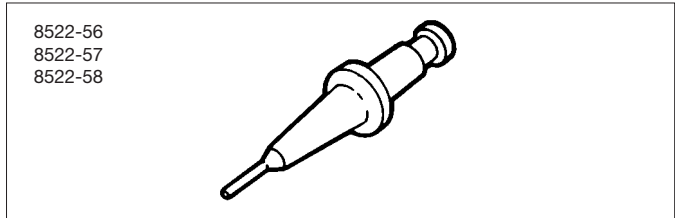


| Shell size | Contact layouts | Polarization | A Max | B Max | C Max | D Max | E | F | G | H | I Max |
|------------|-----------------|---------------|----------------|----------------|----------------|----------------|--------------|--------------|---------------|---------------|----------------|
| 8 | 3A , 33 | N, W | 19.03 .749 | 12.03 .474 | 9.09 .358 | 33.90 1.335 | 2.68 .106 | 8.38 .330 | 9.10 .358 | 9.06 .357 | 21.70 .854 |
| 10 | 6 | N, W | 21.83 .859 | 15.01 .591 | 12.34 .486 | 33.90 1.335 | 2.68 .106 | 8.38 .330 | 9.10 .358 | 9.06 .357 | 24.50 .965 |
| 12 | 10 | N, W, X, Y, Z | 26.13 1.029 | 19.07 .751 | 15.19 .598 | 33.90 1.335 | 2.68 .106 | 8.38 .330 | 9.10 .358 | 9.06 .357 | 28.80 1.134 |
| 14 | 19 | N, W, X, Y | 29.33 1.155 | 22.25 .876 | 18.36 .723 | 33.90 1.335 | 2.68 .106 | 8.38 .330 | 9.10 .358 | 9.06 .357 | 32.00 1.260 |
| 16 | 26 | N, W, X, Y, Z | 32.53 1.281 | 25.42 1.001 | 21.54 .848 | 33.90 1.335 | 2.68 .106 | 8.38 .330 | 9.10 .358 | 9.06 .357 | 35.20 1.386 |
| 18 | 32 | N, W, X, Y, Z | 35.33 1.391 | 28.60 1.126 | 24.08 .948 | 33.90 1.335 | 2.68 .106 | 8.38 .330 | 9.10 .358 | 9.06 .357 | 38.00 1.496 |
| 20 | 41 | N, W, X, Y | 38.83 1.529 | 31.77 1.251 | 27.25 1.073 | 35.50 1.398 | 4.28 .169 | 9.98 .393 | 10.70 .421 | 10.64 .419 | 41.50 1.634 |
| 22 | 55 | N, W, X, Y, Z | 42.03 1.655 | 34.95 1.376 | 30.43 1.198 | 35.50 1.398 | 4.28 .169 | 9.98 .393 | 10.70 .421 | 10.64 .419 | 44.70 1.760 |
| 24 | 61 | N, W, X, Y, Z | 45.13 1.777 | 38.12 1.501 | 33.60 1.323 | 35.50 1.398 | 4.28 .169 | 9.98 .393 | 10.70 .421 | 10.64 .419 | 47.80 1.882 |



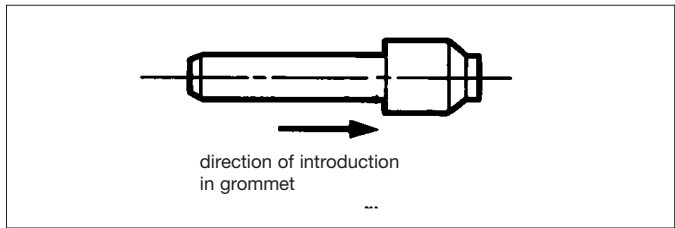
**Tooling for basic series 8526 and 8525
extraction of unwired contacts**

| contacts size | part numbers |
|---------------|--------------|
| 20 | 8522-56 |
| 16 | 8522-57 |
| 12 | 8522-58 |



filler plugs

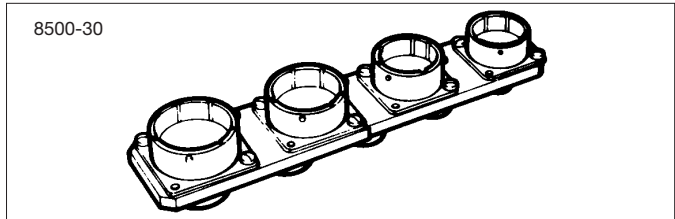
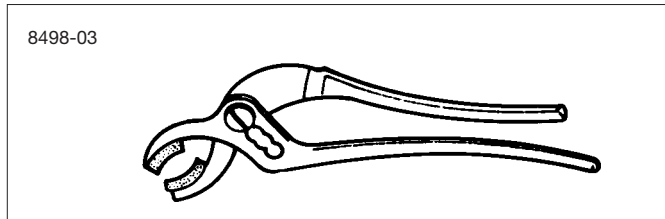
| contacts size | part numbers | colour |
|---------------|--------------|--------|
| 20 | MS 27488-20 | red |
| 16 | MS 27488-16 | blue |
| 12 | MS 27488-12 | yellow |



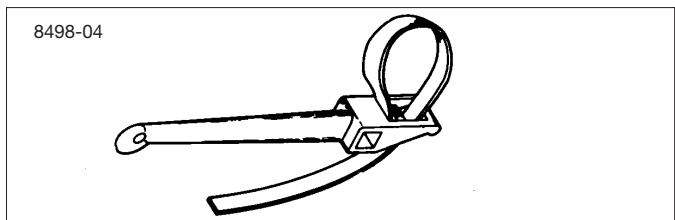
These filler plugs are installed at the rear of unwired contacts to maintain connector sealing

Backshell tightening pliers, part number : 8498-03
Square jaws, part number : 8500-1015 (order 2 jaws)

Tightening support, part number : 8500-30



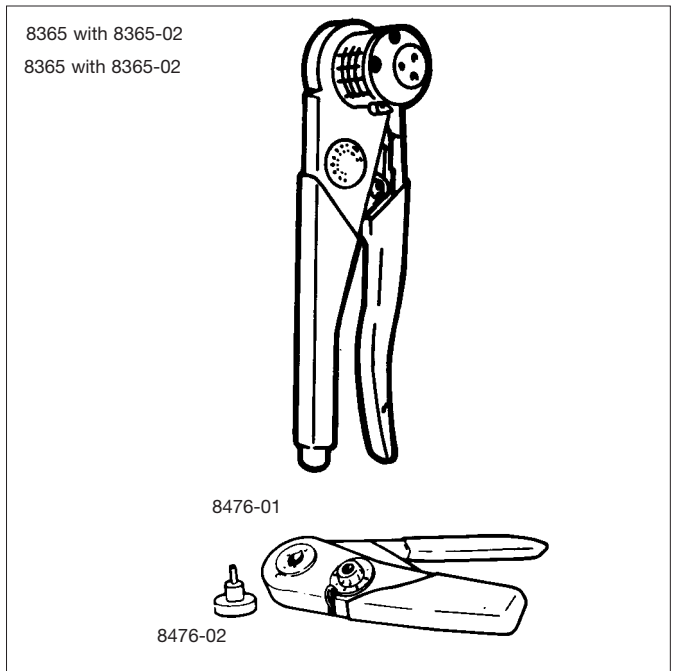
Strap backshell tightening spanner
par number : 8498-04



Square strap : 8498-103

crimping (contact size : 20, 16 and 12)

| contacts size | wire sizes | | références | |
|---------------|-----------------|-----|---|--|
| | mm ² | AWG | crimping tools | locators |
| 20 | 0.93* | 18* | 8365 (M22520/1-01) or 8476-01 (M22520/2-01) | 8365-02 (M22520/1-02) or 8476-02 (M22520/2-01) |
| | 0.60 | 20 | | |
| | 0.38 | 22 | | |
| | 0.21 | 24 | | |
| 16 | 1.91* | 14* | 8365 (M22520/1-01) | 8365-02 (M22520/1-02) |
| | 1.34 | 16 | | |
| | 0.93 | 18 | | |
| | 0.60 | 20 | | |
| 12 | 3.18 | 12 | 8365 (M22520/1-01) | 8365-02 (M22520/1-02) |
| | 1.91 | 14 | | |



insertion and extraction of wired contacts

disposable plastic tool.
- colored tip. for insertion
- white tip. for extraction

| contacts size | part numbers | colours |
|---------------|---------------|---------|
| 20 | M 81969-14-11 | red |
| 16 | M 81969-14-03 | blue |
| 12 | M 81969-14-04 | yellow |

