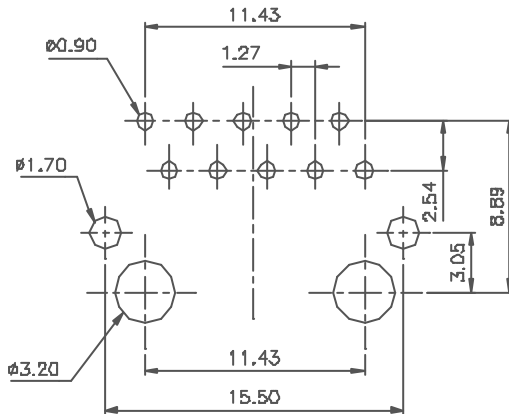
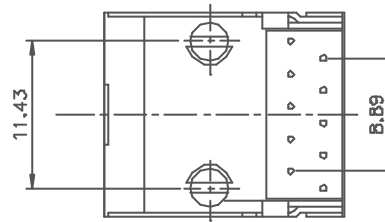
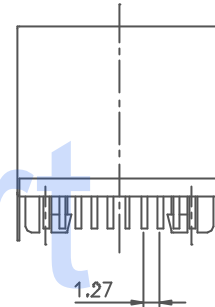
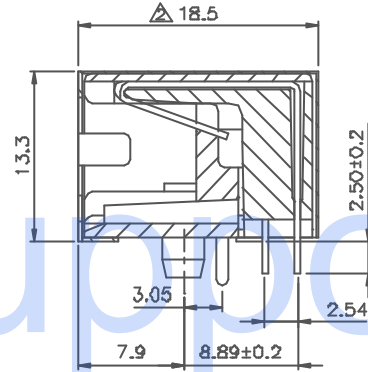
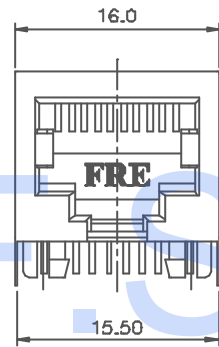


REVISION RECORD				
REV	ECO	DESCRIPTION	DRFT	CHKD
△		修正公差	BYANG 3/15/07	
△		18.5 wcs 18.7	JACKY 8/2/07	
△		ADD P/N	YNG 8/28/07	



PC Board Layout Component Side Shown

**NOTES:**

**ELECTRICAL:**

- VOLTAGE RATING : 125 VAC RMS.
- CURRENT RATING : 1.5 AMP.
- CONTACT RESISTANCE : 30 MINIOHMS MAX.
- INSULATION RESISTANCE: 1000 MEGOHMS MIN @ 500 VDC.
- DIELECTRIC STRENGTH : 1000 VAC RMS 60Hz, 1MIN.

**MECHANICAL:**

- HOUSING MATERIAL : GLASS FILLED POLYESTER UL94V-0.
- CONTACT MATERIAL : PHOSPHOR BRONZE Ø0.46mm.
- PLATING : GOLD PLATING OVER NICKEL.
- OPERATING LIFE : 750 CYCLES MIN.
- PCB RETENTION PRE-SOLDER : 1 LB MIN.
- PCB RETENTION POST-SOLDER: 10 LBS MIN.

**ENVIRONMENTAL:**

- STORAGE : -40°C TO +85°C.
- OPERATION: 0°C TO 70°C.

MATES WITH MODULAR PLUG CONFORMING TO  
FCC PART 68, SUBPART F.  
CUL FILE NO. E163191  
PART NUMBER: E560X-X20X2X

- 0-8 CONTACTS
- 1-10 CONTACTS
- 1-3u" 2-6u"
- 3-15u" 4-30u"
- 5-50u" 6-Pd 20u"
- 0-TIN
- 4-NICKEL
- 0-BLACK(PBT+30%GF)
- △-BLACK(FR50)

<p>← MM (INCH) →</p> <p>TOLERANCES EXCEPT AS NOTED</p>		<p>DFTO JUNG DATE 10/28/07</p> <p>CHKD DATE</p> <p>MFG DATE</p> <p>APPVL DATE</p>	<p><b>FULL RISE ELECTRONIC CO., LTD</b></p>		
<p>MM</p> <p>∅ ±0.2 ±</p> <p>.00 ±0.15 ±</p> <p>.000 ±0.075 ±</p>	<p>ANGLES ± 0.5</p>	<p>MATERIAL :</p>	<p>TITLE</p> <p><b>17.6 SIDE ENTRY PCB JACK 10P</b></p>		
<p>THIRD ANGLE PROJECTION</p>	<p>QTY :</p>	<p>FINISH :</p>	<p>DRAWING NO. 5-0156-1</p> <p>/PART NO. SEE NOTE</p>	<p>SIZE A3</p>	<p>REV 3</p>
<p>SCALE : 2.5 : 1</p>			<p>DO NOT SCALE DRAWING SHEET OF</p>		