



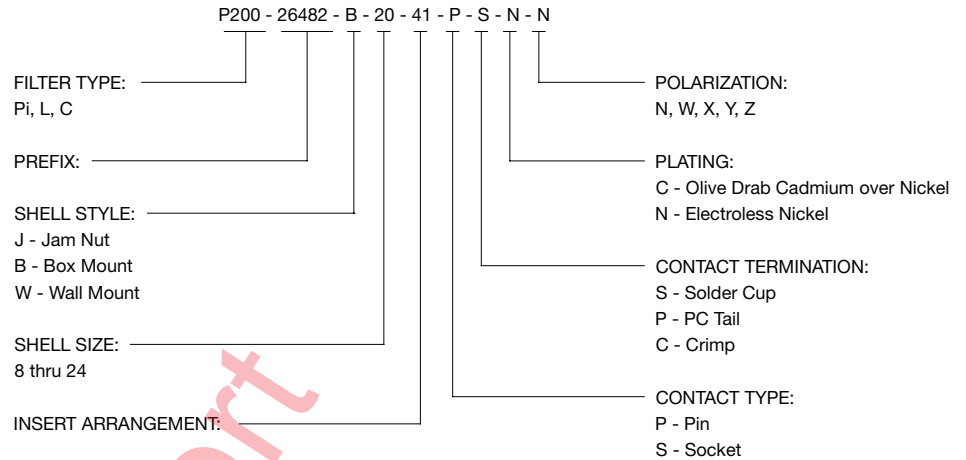
MIL-C-26482 Series II MIL-DTL-83723 Series I



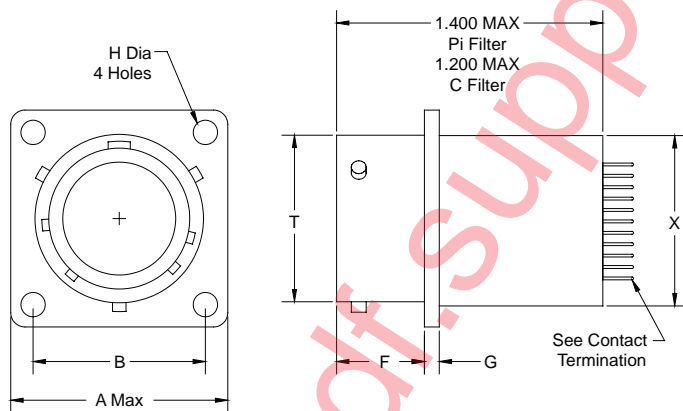
MIL-C-26482 Series II / MIL-DTL-83723 Series I filter connectors are designed to meet or exceed all applicable requirements of the military specifications. The filter connectors are interchangeable and interchangeable with the standard non-filtered connectors.

Part Number Description Code

Material and Finishes	
Shell	Aluminum alloy
Insulator	High grade plastic/epoxy
Contacts	Copper alloy, gold plate
Grommet & Seal	Silicon base elastomer
Jam Nut	Aluminum alloy
Ground Plane	Brass, silver plate
Capacitor	Barium Titanate
Inductor	Ferrite bead

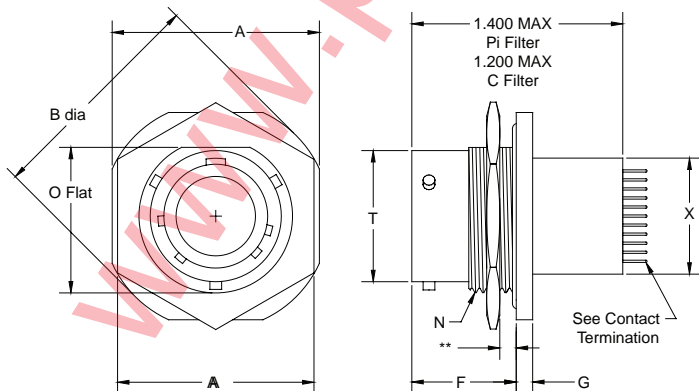


MS3470 Square Flange Receptacle



Shell Size	DIMENSIONS						
	A Max	B BSC	F	G Dia	H Dia	T Max	X Max Dia
8	.828	.594	.462 .431	.078 .046	.120	.474 .468	.500
10	.954	.719				.591 .585	.620
12	1.047	.812	.751 .745	.740			
14	1.141	.906	.876 .870	.890			
16	1.231	.969	1.001 .995	1.000			
18	1.328	1.062	1.126 1.120	1.120			
20	1.458	1.156	1.251 1.245	1.250			
22	1.578	1.250	1.376 1.370	1.390			
24	1.703	1.375	1.501 1.495	1.500			

MS3474 Jam Nut Receptacle



Shell Size	DIMENSIONS								
	A Max	B Dia.	F	G Dia	N	O 1.005 Flat	T Dia.	X Max Dia	AA Hex Dia
8	.954 .923	1.078 1.047	.707 .658	.113 .086	.5625-24	.625	4.74 4.68	.500	0.767
10	1.078 1.047	1.203 1.172			.6875-24	.650	.591 .585	.620	0.892
12	1.266 1.235	1.391 1.360			.875-20	.813	.751 .745	.740	1.079
14	1.391 1.360	1.516 1.485			1.000-20	.937	.876 .870	.890	1.205
16	1.516 1.485	1.641 1.610			1.125-18	1.061	1.001 .995	1.000	1.329
18	1.641 1.610	1.766 1.735			1.120-18	1.166	1.126 1.120	1.120	1.455
20	1.828 1.797	1.954 1.923			1.375-18	1.311	1.251 1.245	1.250	1.579
22	1.954 1.923	2.078 2.047			1.500-18	1.436	1.376 1.370	1.390	1.705
24	2.078 2.047	2.203 2.172			1.625-18	1.561	1.501 1.495	1.500	1.829

** .187 Max Shell Size 8-18
.250 Max Shell Size 20-24

Sabritec provides specialty, enhanced performance connectors and cable assemblies and as such does not currently offer circular, rack and panel, or D-subminiature connectors that are listed on military standard Qualified Products Lists (QPL) per applicable detail specification sheets. Sabritec's connectors are fully interchangeable with applicable QPL products and meet the applicable requirements of all military standards listed in this catalog.



MIL-C-26482 / MIL-DTL-83723

Insert Arrangements

